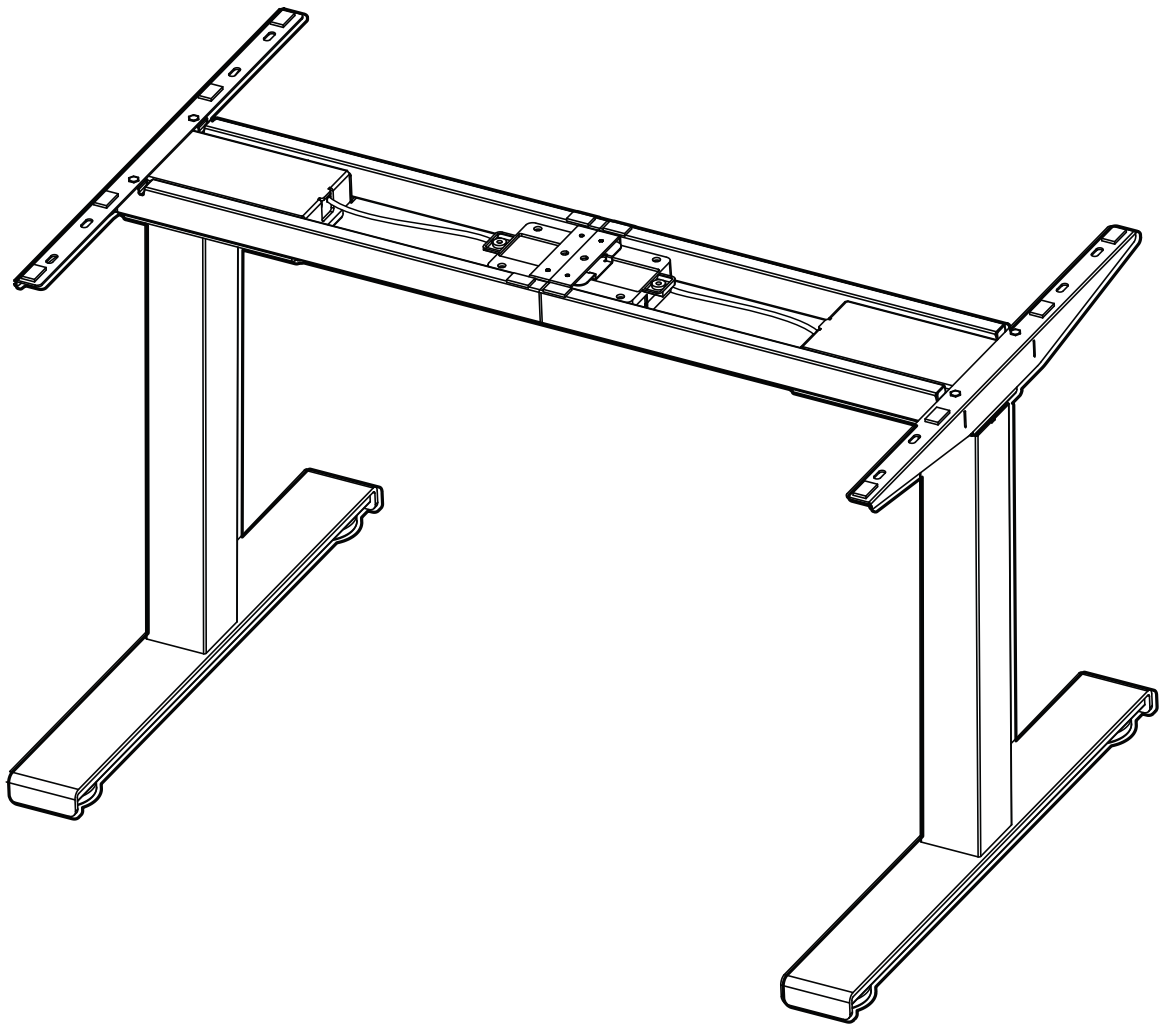




Cambio™ Height Adjustable Desk Base



PLEASE READ INSTRUCTIONS BEFORE USE.
DO NOT DISCARD.

LIRE LES INSTRUCTIONS AVANT UTILISATION.
NE PAS JETER.

LEA LAS INSTRUCCIONES ANTES DEL USO.
NO TIRAR.

BITTE LESEN SIE DIE ANLEITUNGEN SORGFÄLTIG DURCH,
BEVOR SIE DAS GERÄT BENUTZEN.
BITTE GUT AUFBEWAHREN.

LEGGERE LE ISTRUZIONI PRIMA DELL'USO.
NON GETTARE.

LEES DE INSTRUCTIES VOOR GEBRUIK.
NIET WEGWERPEN.

LÄS DESSA INSTRUKTIONER FÖRE ANVÄNDNING.
KASSERA EJ.

PRZED UŻYCIEM PROSZĘ PRZECZYTAĆ NINIEJSZĄ INSTRUKCJĘ.
NIE WYRZUCAĆ.

ПЕРЕД ИСПОЛЬЗОВАНИЕМ ПРОСЬБА ОЗНАКОМИТЬСЯ С
ИНСТРУКЦИЯМИ.
НЕ ВЫБРАСЫВАТЬ.

LEIA AS INSTRUÇÕES ANTES DA UTILIZAÇÃO.
NÃO AS ELIMINE.

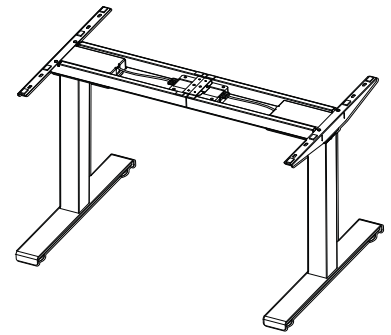
SAFETY INSTRUCTIONS/WARNING

WARNING: IMPORTANT SAFETY INSTRUCTIONS – Read Before Using!

- CAUTION: Lift hazard! **Two people** are required to move desk. Serious injury may occur.
- DO NOT EXCEED MAXIMUM STATED WEIGHT CAPACITY. SERIOUS INJURY OR PROPERTY DAMAGE MAY OCCUR.
- Do Not operate table if any part is damaged or defective.
- Do Not place obstacles in the desk's path.
- Do Not place objects under the desk that are taller than 558mm (22").
- Make sure the desk has proper clearance on all sides (at least 25mm (1") to all surrounding walls and objects).
- Do Not sit or stand on the desk.
- Do Not disassemble the legs, control box or controller. Serious injury may occur.
- Ensure all cord lengths are long enough to accommodate all changes in height and follow cord routing instructions in this manual. Failure to follow these instructions may result in equipment damage or personal injury.
- Keep liquids away from all electrical components. Only clean electrical components with a dry cloth.
- For indoor use only.
- Keep power cord away from sources of heat.
- Unplug desk before moving or servicing.
- Remove all equipment and accessories from the desk before moving.
- Keep children away from moving parts and underneath the desk.

Maximum Weight Including Table Top

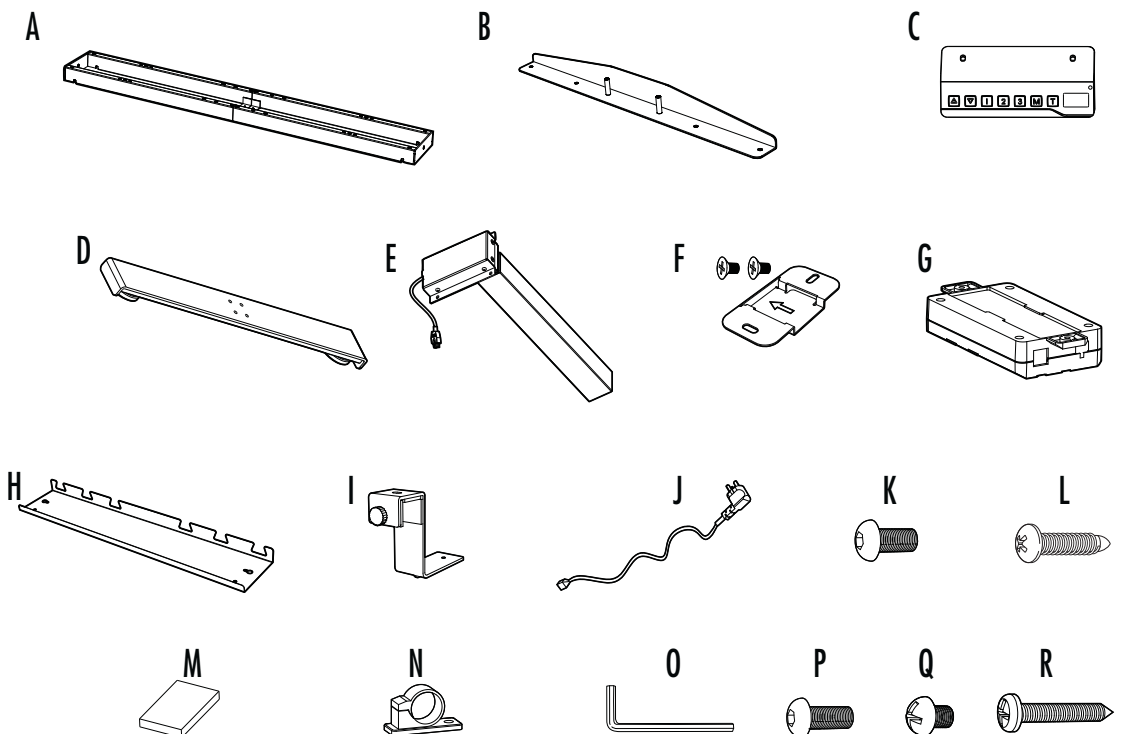
≤ 100 kg
≤ 220 lbs



Technical Data	
Voltage	100-240V
Frequency	50/60 HZ
Current (Amps)	5 Amps
Wattage	200 Watts

PARTS PROVIDED (Note: Extra hardware may be included)

- A Crossbar x1
- B Side Bracket x2
- C Handset x1
- D Base Foot x2
- E Lifting Column x2
- F Fixing Plate x1
+ Phillips Head Screw x 2
- G Control Box x1
- H Cable Management Tray x1
- I Hook x2
- J Power Cable
- K M6x10 Hex Head Screw x8
- L M6 Phillips round head screw x12
- M Anti-Vibration Pad x12
- N Cable Clip x3
- O 5mm Hex Key x1
- P M6x16 Hex Head Screw x8
- Q M3 Phillips Head Screw x4
- R Phillips Head Screw x2



Additional Tools Required

- Phillips Screw Driver
- Power Drill

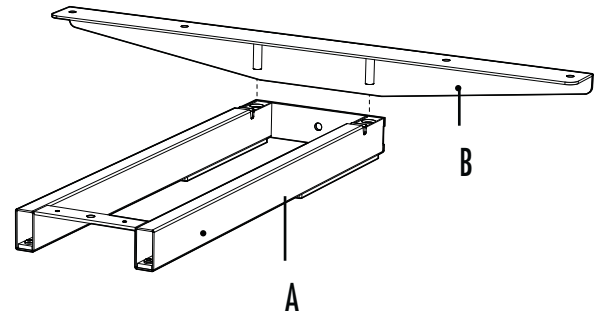
INSTALLATION OF BASE

STEP 1

Attaching side brackets

- Place table face down on a soft, clean surface.
- Unpack the crossbar and carefully place it on the floor.
- Attach the side bracket to the end of the crossbar.
- Repeat the same process to assemble the other side bracket.

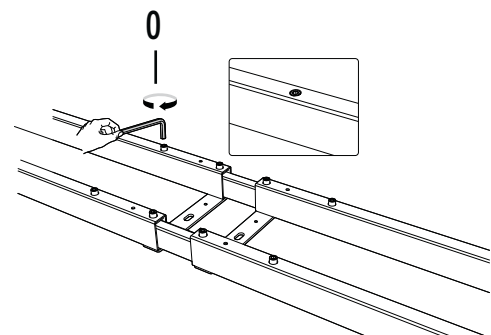
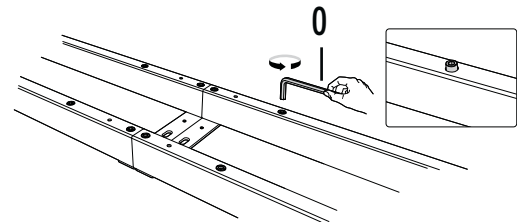
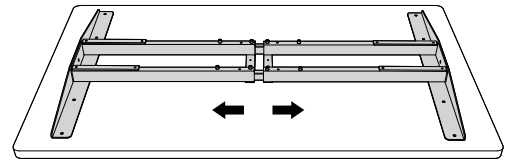
*Note: Make sure the crossbar and side brackets remain facing up during installation.



STEP 2

Adjust the position of the frame before attaching it to the table

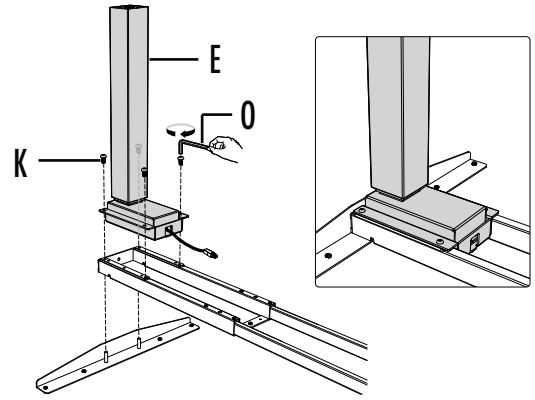
- Adjust the cross channels to their final lengths.
- Use the 5mm Hex key to loosen the (8) set screws on the inward side of the cross channels.
- Check that the top supports on each side are aligned with the pre-drilled holes on frame.
- Once properly adjusted, use the 5mm Hex key to re-tighten the set screws (8 total).



STEP 3

Assemble the lift columns

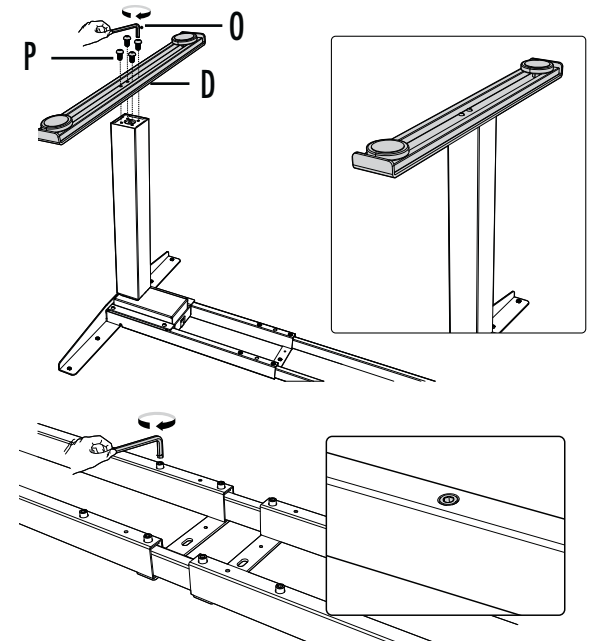
- Remove the tabletop for further installation.
- Insert the two lifting columns into the two ends of the crossbar with the heads of the lifting columns facing inward. Make sure the mounting holes in the lifting columns completely align with the screw holes on the crossbar.
- Fix the lifting column and the side bracket with crossbar using 4 **M6x10** Hex Head screws with the Hex key.
- Repeat the same process to assemble the other lifting column.



STEP 4

Assemble the feet

- Place the foot on the bottom of the lifting column. Align the mounting holes on the foot with the screw holes on the lifting column.
- Fix the foot using 4 **M6x16** Hex Head screws with the Hex key.
- Repeat the same process to assemble the other foot.
- Retighten all the hex head screws to finish the adjustment.

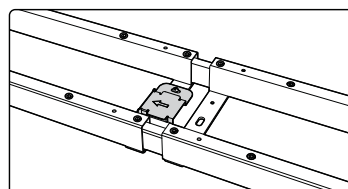
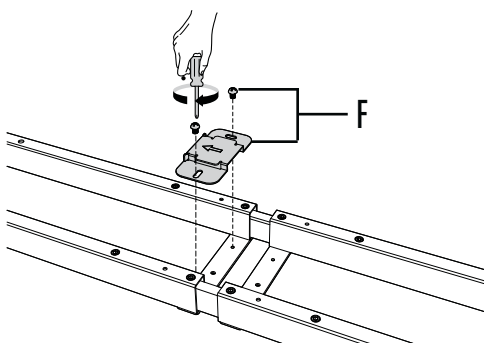


STEP 5

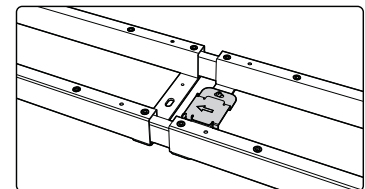
Assemble the fixing plate

- Align the mounting holes on the fixing plate with the screw holes as shown.
- Attach the fixing plate on the center of the crossbar with 2 Phillips Head screws using a Phillips screwdriver. The fixing plate can be attached to either the right side or the left side.

*Note: The arrow on the fixing plate indicates the direction of sliding in the control box. Follow the direction of the arrow to mount the control box in the next step.



OR



STEP 6

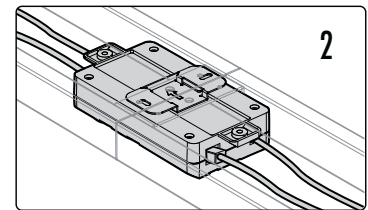
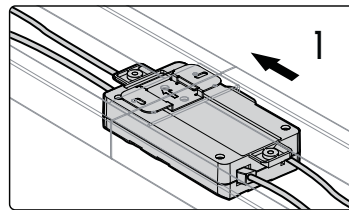
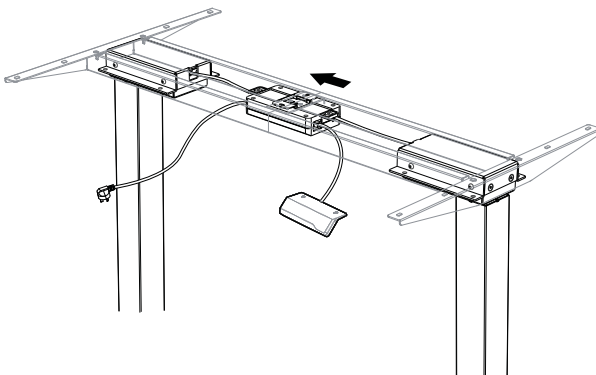
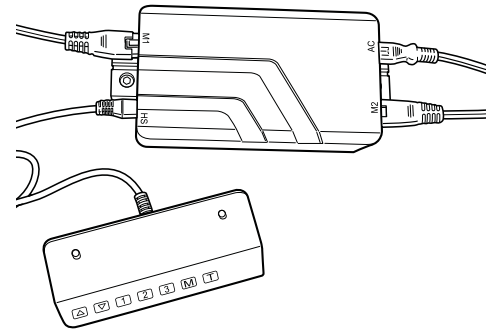
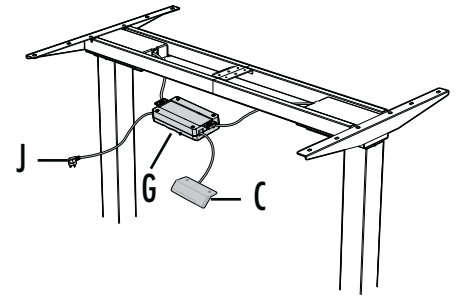
Connecting cords

Turn over the desk frame with the crossbar facing up. **At least two people are required** when turning over the desk frame.

⚠ WARNING If only one person turns over the desk frame, serious bodily injuries might occur.

- Connect the two motor cords to the two ports on either side of the control box marked "M1" and "M2".
- Connect the controller cord to the port marked "HS".
- Insert the power cord in the port marked "AC".
- Align the fixing plate with the right end of the control box's slot. Slide the control box into the fixing plate from the left until the control box can't be moved.

***Note:** Please make sure the slot on the control box is facing upward. There is no corresponding relation between the two motor ports and the two lifting columns.

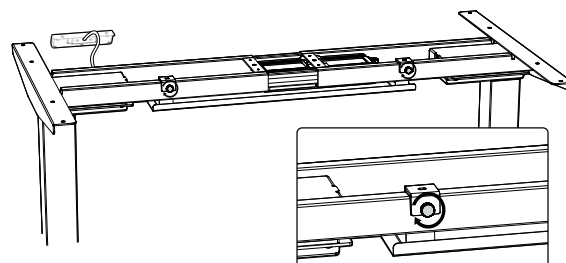
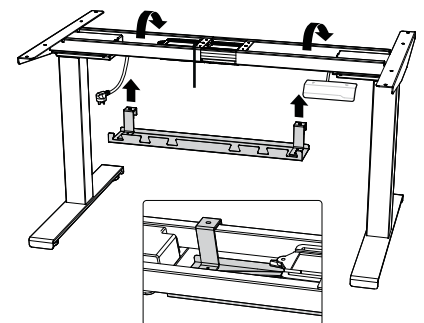
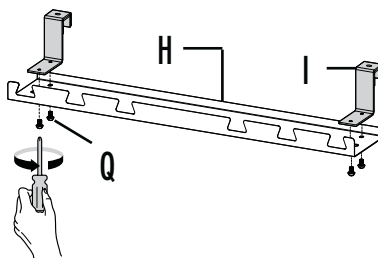


****Note:** The picture of the controller is for your reference only. Actual product may vary.

ACCESSORY INSTALLATION - CABLE MANAGEMENT TRAY

Cable management tray

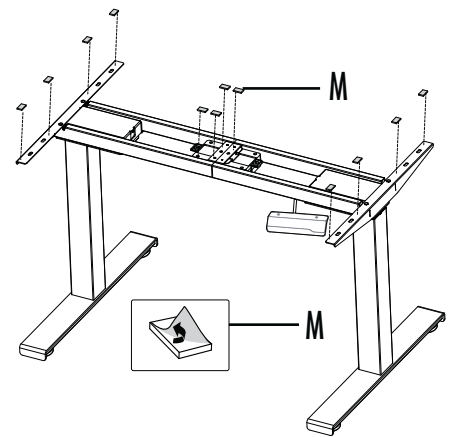
- Align the mounting holes on the tray hangers with the screw holes on the cable management tray. Assemble the tray hangers with 4 Phillips Head screws from underneath using a Phillips screwdriver.
- Hang the cable management tray on the crossbar.
- Tighten the knobs on the tray hangers.



ASSEMBLING THE DESKTOP

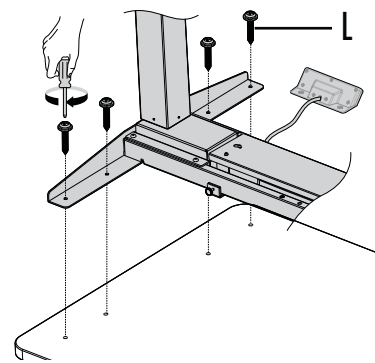
STEP 1

- Attach the anti-vibration pads to the surface of the crossbar on the 12 positions as shown.



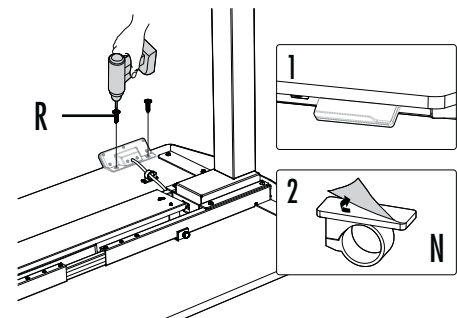
STEP 2

- Align the pre-drilled screw holes with the mounting holes on the crossbar. Insert and tighten the 4 Phillips Head screws.
- Repeat the same process to tighten the other side of the desktop.



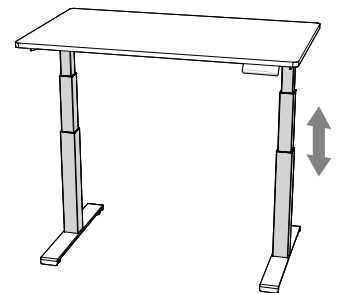
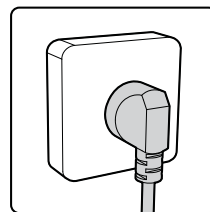
STEP 3

- Attach the controller to the desktop with 2 Phillips Head screws using a drill.
- Stick the adhesive cable clips under desk to organize cords.



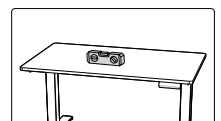
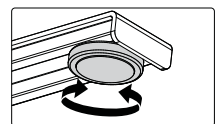
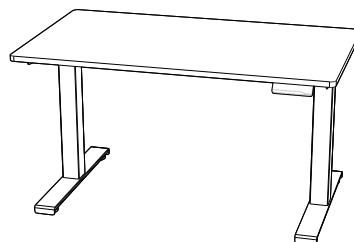
STEP 4

- Plug power cable into controller on base and into a power outlet.

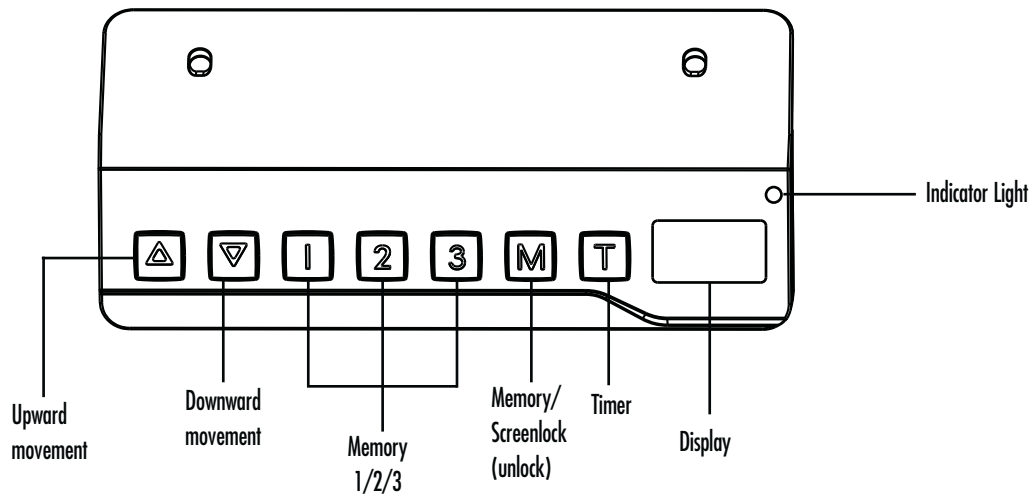


STEP 5

- There are two adjustable foot pads under each foot. If the floor is uneven simply turn the pad to adjust the height to make the desk stable.



Tip: Use a bubble level to check if the desktop is even.



1. GENERAL OPERATION

When the system is powered on, you will hear a beep and the existing desktop height will be displayed on the controller.

 Upward Movement  Downward Movement

Press the "▲" or the "▼" and do not release until the desk reaches the desired height (displayed on the controller). If the motor continuously operates for a relatively long period of time, the overheat protection will activate. The control panel will work normally again after approximately 18 minutes.

POWER SAVING MODE - (10 MINUTES)

When no actions are made for over 10 minutes, the system will enter power-saving mode. Touch any button to enter operation mode.

2. MEMORY SETTING

To store a certain height in the controller's memory, first press "M". The letter "S-" will be displayed. Now press "1", "2", or "3" within 5 seconds to store the current height in memory. The "1", "2", or "3" buttons can each store a different height. Once in memory, you can select any of the 3 height settings found in the controller's memory by pressing the corresponding button until the set height is reached. Press any button to cancel adjustment.

3. SCREEN LOCK/UNLOCK

To lock the screen: press "M" for 3 seconds and the display shows "---". The screen has been locked and any operation is invalid. To Unlock the screen: press "M" for 3 seconds and the display shows the current height.

Note: Please ensure the auto-lock function is ON. Refer to "PART 5 - Custom Programming Guide" and change the screen lock.

4. TIMER

To set the timer, press "T". The display will flash "0.5h" which means .5 hour. Press the "T" repetitively to increase .5 hour at a time. The maximum timer setting is 2 hours. The time is set when the digit stops flashing and the light in the top right corner of the controller is on. When the timer has reached the set time, the buzzer beeps, reminding the user to adjust his/her working position. The timer will turn off automatically after five beeps. Once a timer setting has expired, the unit's timer is cancelled. To de-activate the timer, press the "T" five times until the current height is displayed and the light found in the upper right side of the controller is off.

5. CHANGING BETWEEN CM AND INCH

The preset measurement shown on the display is cm. If you would like to change the cm to inch, press "T" for 8 seconds. After the buzzer beeps twice, the measurement is successfully reset. If you would like to switch inch back to cm, press "T" for 8 seconds. After the buzzer beeps once, the system successfully switched back to cm.

6. RESET THE CONTROL UNIT

While the unit is powered on, press the "▲" and "▼" buttons simultaneously until the buzzer beeps. The desk will move down to the lowest position then raise a little. Do not release the buttons until the process is complete.

7. TROUBLESHOOTING

Error No.	Description	Solution	Error No.	Description	Solution
E01/E07	Electrical problem	Disconnect power for 30 seconds and reconnect	E16/E26	Motor failure	Reset the system
E02	Screw rod error	Reset the system	E17	Desk run in wrong direction	Replace the motor cord (M1)
E04	Digital controller connection error	Check the connection then reconnect the power	E18/E28	Weight overload	Remove the items on the desktop
E05	Collision avoidance system	Release the button	E21	No connection	Check the connection (M2)
E06	Electrical problem	Replace the control box	E23	Motor wire broken	Check then replace the motor cord (M2)
E08	Desktop inclines	Reset the system	E24	Hall wire broken	Check then replace the motor cord (M2)
E11	No connection	Check the connection (M1)	E25	Short circuit	Replace the motor (M2)
E12/E22	Abnormal current	Replace the control box	E27	Desk run in wrong direction	Replace the motor cord (M2)
E13	Motor wire broken	Check then replace the motor cord (M1)	E42	Memory function failure	Replace the control box
E14	Hall wire broken	Check then replace the motor cord (M1)	E43	Sensor Failure of Collision Avoidance System	Replace the control box
E15	Short circuit	Replace the motor (M1)			

Note:

1. Self-protection function: the unit will enter protective mode if the system operates in excess of two minutes with "HOT" on the control display. The system will reset and return to normal operation after approximately 20 minutes.
2. Overload protection mode: while operating, if the load on the desk is over weight capacity, the system will enter into an overload protection mode. This will protect the system from damages caused by exceeding weight. When this happens, the desk will move downward approximately 30mm and come to a stop with the current height displayed.
3. Attention: NEVER remove or turn off the power in order to reset the unit when it is in a protective mode or "HOT" state.

CUSTOM SETTINGS

For all of the below Custom Settings:

- Press "M" and "T" simultaneously for 5 seconds until the buzzer beeps once and "S-1" is displayed.
- If no other action is taken within 10 seconds, the process will be automatically canceled.
- The process can be canceled manually by pressing "T" at any time.

Custom Setting 1: Minimum & Maximum Height Settings

- Minimum Height Limit: While "S-1" is displayed, press "M" once and then press "▲" or "▼" to set desired minimum height. Press "M" to save: "L-S" = Successful, "L-F" = Try Again.
- Maximum Height Limit: While "S-1" is displayed, press "▲" to "S-2". Press "M" once and then press "▲" or "▼" to set desired maximum height. Press "M" to save: "H-S" = Successful, "H-F" = Try Again.

Note: Default minimum height is 62cm (24.4") and the adjustable range is 62-118cm (24.4"-46.4"). Default maximum height is 128cm (50.4") and the adjustable range is 72-128cm (28.3"-50.4").

Custom Setting 2: Adjust the Anti-Collision Sensitivity

- Adjust Upwards Sensitivity: While "S-1" is displayed, press "▲" to "S-3". Press "M" once and then press "▲" or "▼" to change the sensitivity level. Default sensitivity is 2 and the adjustable range is 0-8 (0 = Off, 8 = max.). Press "M" to save: "S-S" = Successful, "S-F" = Try Again.
- Adjust Downwards Sensitivity: While "S-1" is displayed, press "▲" to "S-4". Press "M" once and then press "▲" or "▼" to change the sensitivity level. Default sensitivity is 2 and the adjustable range is 0-8 (0 = Off, 8 = max.). Press "M" to save: "S-S" = Successful, "S-F" = Try Again.

Custom Setting 3: Adjust the Desktop Tilt Sensitivity

- Adjust Upwards Sensitivity: While "S-1" is displayed, press "▲" to "S-5". Press "M" once and then press "▲" or "▼" to change the sensitivity level. Default sensitivity is 2 and the adjustable range is 0-8 (0 = Off, 8 = max.). Press "M" to save: "S-S" = Successful, "S-F" = Try Again.

Custom Setting 4: Adjust to Display the Height With/Without Desktop

- While "S-1" is displayed, press "▲" to "S-6". Press "M" once and then press "▲" or "▼" to input desktop thickness. Press "M" to save: "T-S" = Successful, "T-F" = Try Again.

Custom Setting 5: Automatically Lock/Unlock Display

- While "S-1" is displayed, press "▲" to "S-7". Press "M" once and then press "▲" or "▼" to choose auto-lock on (1) or to turn auto-lock off (0). Press "M" to save: "A-S" = Successful, "A-F" = Try Again.

To reset the customized settings, press "M", "T" and "▲" simultaneously for 5 seconds until the buzzer beeps.

FELLOWES CAMBIO™ HEIGHT ADJUSTABLE DESK BASE LIMITED WARRANTY

Fellowes, Inc. (the "Company") warrants the Cambio™ Height Adjustable Desk Base ("Product") to be free from defects in material and workmanship for the time period as set forth below.

The structural frame for a period of fifteen (15) years from the date of original purchase of the product.

All electrical components for a period of seven (7) years from the date of original purchase of the product.

This warranty applies only to the initial purchaser and does not cover claims resulting from misuse, failure to follow instructions on installation and use, neglect, use of unauthorized attachments, commercial use, use on a current or voltage other than specified on the product, or unauthorized service during the warranty period on conditions otherwise covered by warranty.

THE DURATION OF ANY IMPLIED WARRANTIES, INCLUDING BUT NOT LIMITED TO ANY IMPLIED WARRANTIES OF MERCHANTABILITY OR FITNESS FOR A PARTICULAR PURPOSE, IS EXPRESSLY LIMITED TO THE DURATION OF THIS LIMITED WARRANTY.

UNLESS REQUIRED BY APPLICABLE LAW, THE CUSTOMER'S EXCLUSIVE REMEDY FOR BREACH OF THIS WARRANTY OR ANY IMPLIED WARRANTY OR OF ANY OTHER OBLIGATION ARISING BY OPERATION OF LAW OR OTHERWISE SHALL BE LIMITED AS SPECIFIED HEREIN TO REPAIR, REPLACEMENT OR A REFUND OF THE PURCHASE PRICE, AT THE COMPANY'S SOLE OPTION.

UNDER NO CIRCUMSTANCE WILL THE COMPANY, ITS AFFILIATES, SUBSIDIARIES, RELATED ENTITIES, RESELLERS OR THEIR RESPECTIVE OFFICERS, DIRECTORS OR EMPLOYEES OR THOSE PERSONS FOR WHOM THEY ARE BY LAW RESPONSIBLE, BE LIABLE FOR CONSEQUENTIAL OR INCIDENTAL DAMAGES SUSTAINED IN CONNECTION WITH THE PRODUCT. THE COMPANY AND THESE OTHER PARTIES DO NOT ASSUME OR AUTHORIZE ANY REPRESENTATIVE OR OTHER PERSON TO ASSUME FOR ANY OF THEM ANY OBLIGATION OR LIABILITY OTHER THAN AS IS EXPRESSLY SET FORTH HEREIN.

The duration, terms and conditions of this warranty are valid worldwide, except where different limitations, restrictions or conditions may be required by local law.

CONSIGNES DE SÉCURITÉ/AVERTISSEMENT

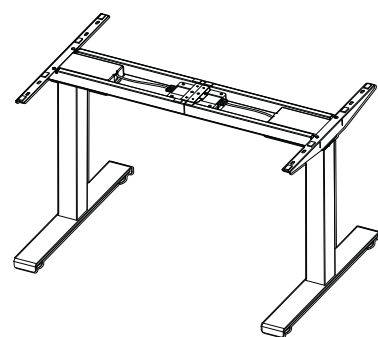
AVERTISSEMENT : CONSIGNES DE SÉCURITÉ IMPORTANTES - Lire avant utilisation !

- **ATTENTION** : risque de blessure grave en soulevant le bureau!
Deux personnes minimum requises pour le déplacer.
- **NE PAS DÉPASSER LA CAPACITÉ MAXIMALE DE POIDS INDIQUÉE. CELA POURRAIT PROVOQUER UNE BLESSURE GRAVE OU ENDOMMAGER LE MATÉRIEL.**
- Ne pas utiliser le bureau si l'un de ses éléments est endommagé ou défectueux.
- Ne pas placer d'obstacles sur le passage du bureau.
- Ne pas placer sous le bureau des objets mesurant plus de 558 mm (22 po).
- Assurez-vous qu'il ya un espace suffisant entre chaque côte du bureau (au moins 25 mm [1 po]) et les murs/objets voisins.
- Ne pas s'asseoir ni se tenir debout sur le bureau.
- Ne pas démonter les pieds, le boîtier de contrôle ou le contrôleur. Il existe un risque de blessure grave.
- Assurez-vous que tous les câbles sont suffisamment longs pour permettre tous les changements de hauteur et suivez les instructions d'acheminement des câbles figurant dans ce manuel. Tout manquement à ces instructions pourrait provoquer des dommages matériels ou des blessures.
- Tenir les liquides à l'écart de tous les composants électriques. Nettoyer les composants électriques exclusivement avec un chiffon sec.
- Pour un usage intérieur uniquement.
- Tenir le cordon d'alimentation à l'écart des sources de chaleur.
- Débrancher le bureau avant de le nettoyer ou de le réparer.
- Retirer tous objets/accessoires situés sur le bureau avant de le déplacer.
- Tenir les enfants à l'écart des pièces mobiles et du dessous du bureau.

Poids maximal, y compris le plateau de la table

≤ 100 kg

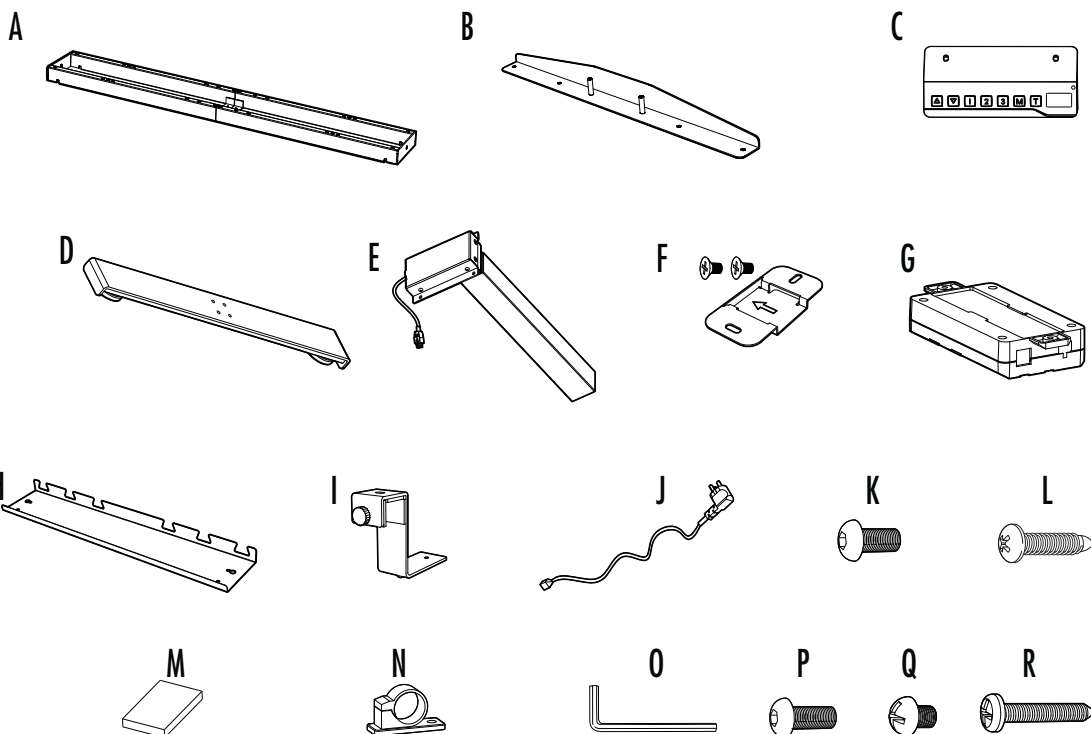
≤ 220 lb



Données techniques	
Tension	100-240 V
Fréquence	50/60 Hz
Courant (ampères)	5 ampères
Puissance	200 watts

PIÈCES FOURNIES (Remarque : du matériel supplémentaire peut être inclus)

- A Barre transversale x1
- B Support latéral x2
- C Combiné x1
- D Pied de base x2
- E Colonne élévatrice x2
- F Plaque de fixation x1
+ Vis cruciforme x2
- G Boîtier de Contrôle x1
- H Passe-câbles x1
- I Crochet x2
- J Câble d'alimentation
- K Vis à tête hexagonale M6x10 x8
- L Vis cruciformes M6 à tête ronde x12
- M Patin anti-vibration x12
- N Serre-câbles x3
- O Clé hexagonale 5 mm x1
- P Vis à tête hexagonale M6x16 x8
- Q Vis cruciforme M3 x4
- R Vis cruciforme x2



Autres outils nécessaires

- Tournevis cruciforme
- Perceuse électrique

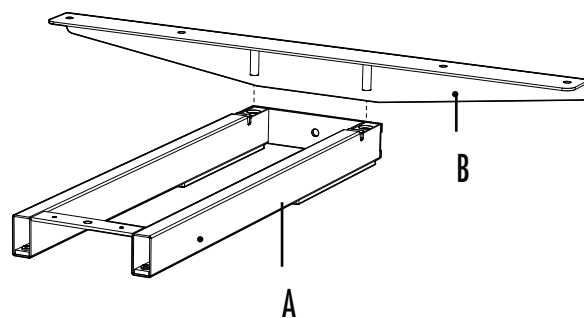
INSTALLATION DE LA BASE

ÉTAPE 1

Fixation des supports latéraux

- Retourner la table sur une surface souple et propre.
- Déballez la barre transversale et la poser avec précaution sur le sol.
- Fixer le support latéral à l'extrémité de la barre transversale.
- Répéter le même processus pour assembler l'autre support latéral.

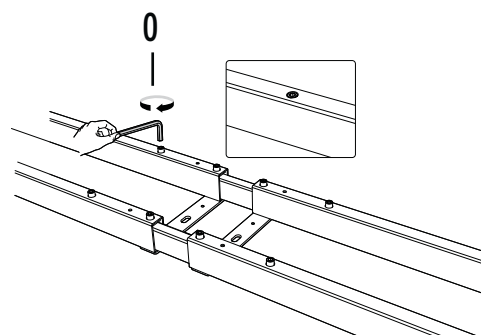
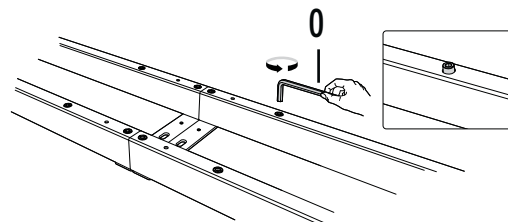
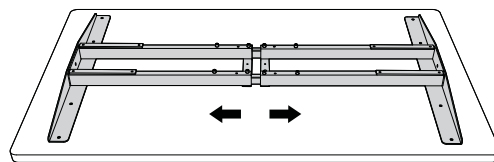
*Remarque : assurez-vous que la barre transversale et les supports latéraux restent orientés vers le haut pendant l'installation.



ÉTAPE 2

Régler la position du cadre avant de le fixer à la table

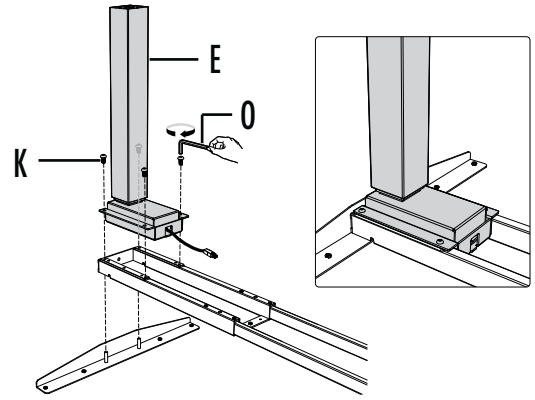
- Ajuster les traverses à leur longueur finale.
- Utiliser la clé hexagonale de 5 mm pour desserrer les (8) vis de fixation qui se trouvent sur le côté intérieur des traverses.
- Vérifier que les supports supérieurs de chaque côté sont alignés sur les trous pré-perçés du cadre.
- Une fois l'ajustement terminé, utiliser la clé hexagonale de 5 mm pour resserrer les vis de fixation (8 en tout).



ÉTAPE 3

Montage des colonnes élévatrices

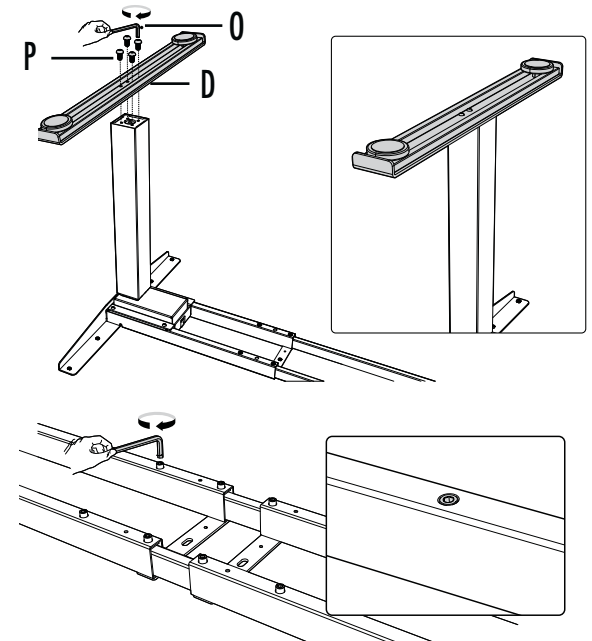
- Retirer le plateau du bureau pour une installation ultérieure.
- Insérer les deux colonnes élévatrices dans les deux extrémités de la barre transversale avec les têtes des colonnes tournées vers l'intérieur. S'assurer que les trous des vis des colonnes élévatrices sont complètement alignés sur ceux de la barre transversale.
- Fixer la colonne élévatrice et le support latéral à la barre transversale avec 4 vis à tête hexagonale **M6x10** à l'aide de la clé hexagonale.
- Répéter le même processus pour assembler l'autre colonne élévatrice.



ÉTAPE 4

Montage des pieds

- Placer le pied au bas de la colonne élévatrice. Aligner les trous de fixation du pied avec ceux de vis de la colonne élévatrice.
- Fixer le pied avec 4 vis à tête hexagonale **M6x16** à l'aide de la clé hexagonale.
- Répéter le même processus pour assembler l'autre pied.
- Resserrer toutes les vis à tête hexagonale pour terminer l'ajustement.

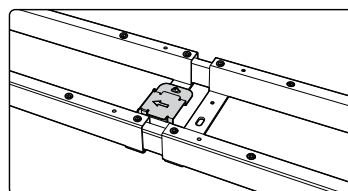
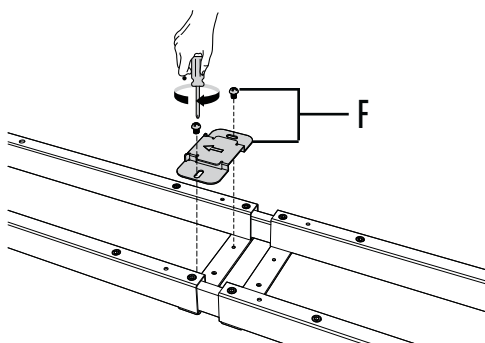


ÉTAPE 5

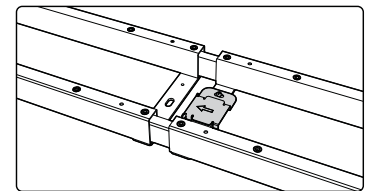
Montage de la plaque de fixation

- Aligner les trous de montage sur la plaque de fixation avec les trous de vis, comme indiqué.
- Fixer la plaque de fixation au centre de la barre transversale avec 2 vis cruciformes à l'aide d'un tournevis cruciforme. La plaque de fixation peut être fixée à droite ou à gauche.

*Remarque : la flèche sur la plaque de fixation indique le sens de glissement dans le boîtier de contrôle. Suivre le sens de la flèche pour monter le boîtier de contrôle à l'étape suivante.



OU



ÉTAPE 6

Branchement des câbles

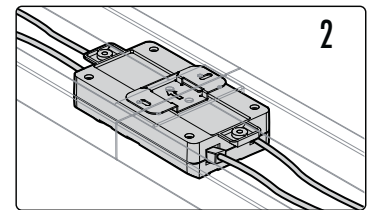
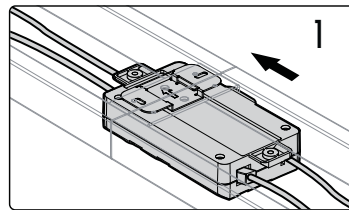
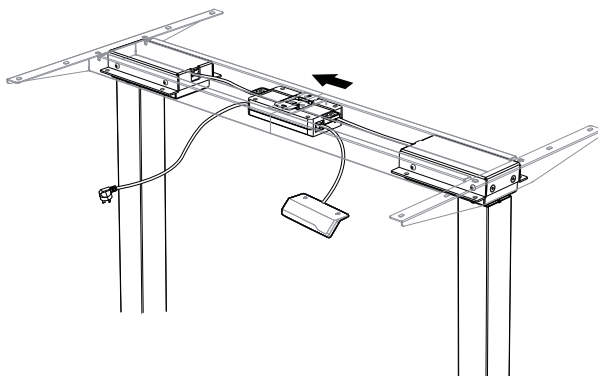
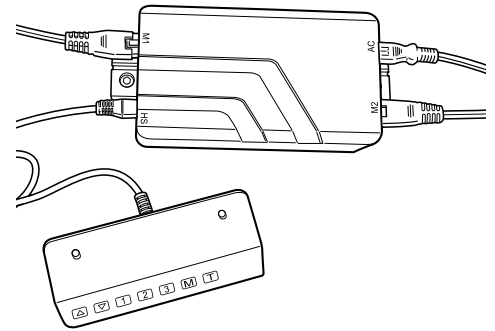
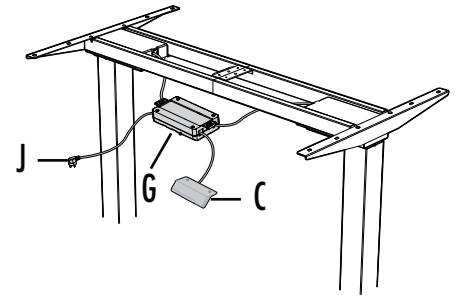
Retourner la structure du bureau avec la barre transversale vers le haut.

Au moins deux personnes sont nécessaires pour retourner la structure du bureau.

⚠ AVERTISSEMENT Si une seule personne retourne la structure du bureau, des blessures corporelles graves peuvent en résulter.

- Connecter les deux câbles du moteur aux deux ports de chaque côté du boîtier de contrôle portant les mentions « M1 » et « M2 ».
- Connecter le câble du contrôleur au port portant la mention « HS ».
- Insérer le cordon d'alimentation dans le port portant la mention « AC ».
- Aligner la plaque de fixation avec l'extrémité droite de la fente du boîtier de contrôle. Faire glisser le boîtier de contrôle dans la plaque de fixation par la gauche jusqu'à ce qu'il soit bien en place.

*Remarque : assurez-vous que la fente du boîtier de contrôle est orientée vers le haut. Il n'y a pas de relation correspondante entre les deux ports du moteur et les deux colonnes élévatrices.

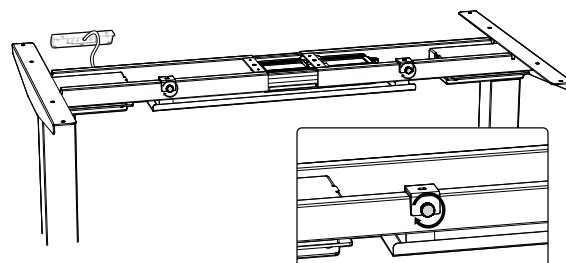
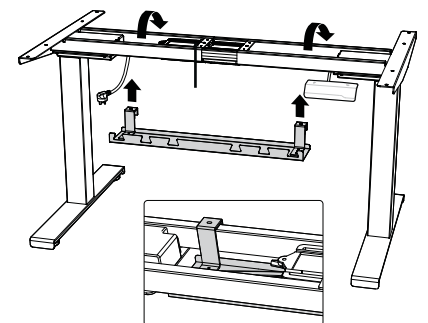
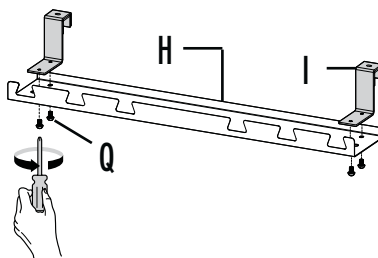


**Remarque : l'image du contrôleur est fournie à titre de référence uniquement. Le produit réel peut varier.

INSTALLATION DES ACCESSOIRES - ACHÈMÈNEMENT DE CÂBLES

Passe-câbles

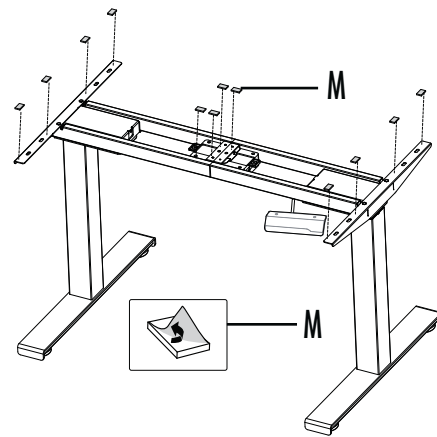
- Aligner les trous de fixation des supports du passe-câbles avec ceux dédiés aux vis du passe-câbles. Fixer les supports du passe-câbles par le bas avec 4 vis cruciformes à l'aide d'un tournevis cruciforme.
- Accrocher le passe-câbles sur la barre transversale.
- Serrer les boutons sur les supports du passe-câbles.



MONTAGE DU BUREAU

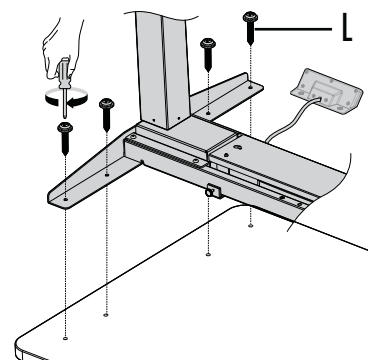
ÉTAPE 1

- Fixer les patins anti-vibration à la surface de la barre transversale aux 12 emplacements indiqués.



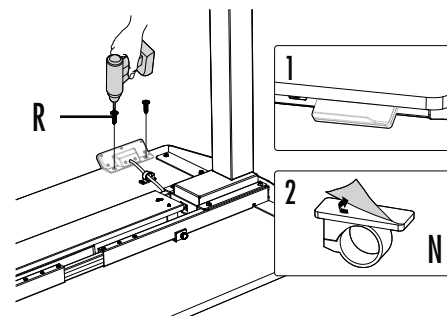
ÉTAPE 2

- Aligner les trous de vis pré-perçés avec les trous de fixation de la barre transversale. Insérer et serrer les 4 vis cruciformes.
- Répéter le même processus pour serrer l'autre côté du bureau.



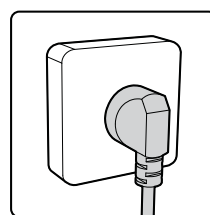
ÉTAPE 3

- Fixer le contrôleur au bureau avec 2 vis cruciformes à l'aide d'un foret.
- Coller les serre-câbles adhésifs sous le bureau pour ranger les câbles.



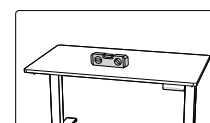
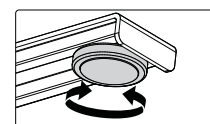
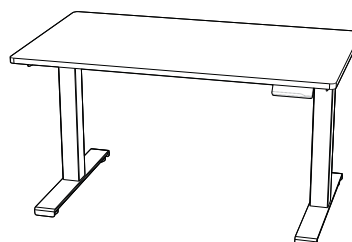
ÉTAPE 4

- Raccorder le cordon d'alimentation au contrôleur sur la base et à une prise murale.

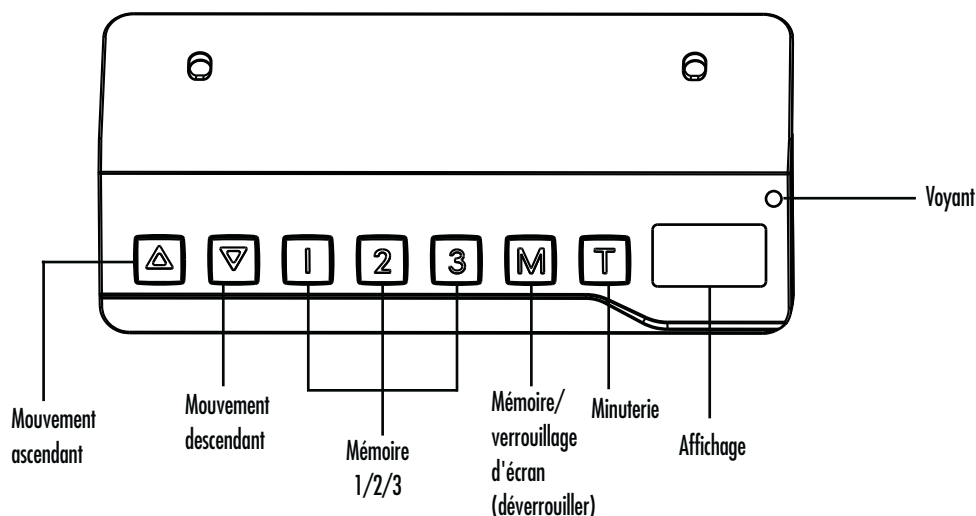


ÉTAPE 5

- Il y a deux patins réglables sous chaque pied. Si le sol est instable, tourner simplement le patin pour ajuster la hauteur afin de stabiliser le bureau.




Conseil : utiliser un niveau pour vérifier si le bureau est bien horizontal.



1. FONCTIONNEMENT GÉNÉRAL

Lorsque le système est sous tension, vous entendrez un bip et la hauteur du bureau réelle sera affichée sur le contrôleur.

 Mouvement ascendant
  Mouvement descendant

Appuyez sur «  » ou «  » et ne relâchez pas le bouton avant que le bureau atteigne la hauteur souhaitée (affichée sur le contrôleur). Si le moteur fonctionne en continu pendant une période relativement longue, la protection contre la surchauffe se déclenche. Le panneau de commande fonctionnera à nouveau normalement après environ 18 minutes.

MODE D'ÉCONOMIE D'ÉNERGIE (10 MINUTES)

Si aucune action n'est effectuée pendant plus de 10 minutes, le système activera le mode d'économie d'énergie. Appuyez sur n'importe quel bouton pour rétablir le mode de fonctionnement normal.

2. RÉGLAGE DE LA MÉMOIRE

Pour enregistrer une certaine hauteur dans la mémoire du contrôleur, appuyez d'abord sur « M ». La lettre « S » s'affichera. Appuyez ensuite sur « 1 », « 2 » ou « 3 » dans les 5 secondes pour enregistrer la hauteur actuelle en mémoire. Les boutons « 1 », « 2 » ou « 3 » peuvent chacun enregistrer une hauteur différente. Une fois en mémoire, vous pouvez sélectionner l'un des 3 réglages de hauteur se trouvant dans la mémoire du contrôleur en appuyant sur le bouton correspondant jusqu'à atteindre la hauteur définie. Appuyez sur n'importe quel bouton pour annuler le réglage.

3. VERROUILLAGE/DÉVERROUILLAGE DE L'ÉCRAN

Pour verrouiller l'écran : appuyez sur « M » pendant 3 secondes et l'écran indiquera « --- ». L'écran est verrouillé et toute opération sera non valide. Pour déverrouiller l'écran : appuyez sur « M » pendant 3 secondes et l'écran affichera la hauteur actuelle.

Remarque : veuillez vous assurer que la fonction de verrouillage automatique est activée. Reportez-vous à « PARTIE 5 - Guide de programmation personnalisée » et modifiez le verrouillage de l'écran.

4. MINUTERIE

Pour régler la minuterie, appuyez sur « T ». La mention « 0.5h » clignotera à l'écran, ce qui signifie 0,5 heure. Appuyez à plusieurs reprises sur « T » pour augmenter de 0,5 heure à la fois. Le réglage maximum de la minuterie est de 2 heures. L'heure est réglée lorsque le chiffre cesse de clignoter et que le voyant situé dans le coin supérieur droit du contrôleur est allumé. Lorsque la minuterie a atteint l'heure définie, le bip retentit, rappelant à l'utilisateur de changer sa position de travail. La minuterie s'éteindra automatiquement après cinq bips. Une fois le temps écoulé, la minuterie de l'appareil sera annulée. Pour désactiver la minuterie, appuyez cinq fois sur « T » jusqu'à ce que la hauteur actuelle soit affichée et que le voyant situé dans le coin supérieur droit du contrôleur s'éteigne.

5. CHANGER LES CM EN POUCES

La mesure prédéfinie affichée à l'écran est cm. Si vous souhaitez changer les cm en pouces, appuyez sur « T » pendant 8 secondes. Après deux bips, la mesure sera réinitialisée avec succès. Si vous souhaitez revenir aux cm, appuyez sur « T » pendant 8 secondes. Après un bip, le système sera revenu avec succès aux cm.

6. RÉINITIALISATION DE L'UNITÉ DE CONTRÔLE

Après avoir mis l'appareil sous tension, appuyez sur les boutons "▲" et "▼" simultanément jusqu'à ce que le bip retentisse. Le bureau descendra à la position la plus basse, puis remontera légèrement. Ne relâchez pas les boutons tant que le processus n'est pas terminé.

7. DÉPANNAGE

N° d'erreur	Description	Solution	N° d'erreur	Description	Solution
E01/E07	Problème électrique	Couper le courant pendant 30 secondes et reconnecter	E16/E26	Panne moteur	Réinitialiser le système
E02	Erreur de tige à vis	Réinitialiser le système	E17	Le bureau monte/descend dans le mauvais sens	Remplacer le câble du moteur (M1)
E04	Erreur de connexion du contrôleur numérique	Vérifier la connexion, puis reconnecter l'alimentation	E18/E28	Surcharge de poids	Enlever les objets se trouvant sur le bureau
E05	Système d'évitement de collision	Relâcher le bouton	E21	Pas de connexion	Vérifier la connexion (M2)
E06	Problème électrique	Remplacer le boîtier de commande	E23	Câble du moteur cassé	Vérifier, puis remplacer le câble du moteur (M2)
E08	Le bureau est incliné	Réinitialiser le système	E24	Câble de hall cassé	Vérifier, puis remplacer le câble du moteur (M2)
E11	Pas de connexion	Vérifier la connexion (M1)	E25	Court-circuit	Remplacer le moteur (M2)
E12/E22	Courant anormal	Remplacer le boîtier de commande	E27	Le bureau monte/descend dans le mauvais sens	Remplacer le câble du moteur (M2)
E13	Câble du moteur cassé	Vérifier, puis remplacer le câble du moteur (M1)	E42	Défaillance de la fonction mémoire	Remplacer le boîtier de commande
E14	Câble de hall cassé	Vérifier, puis remplacer le câble du moteur (M1)	E43	Défaillance du capteur du système d'évitement de collision	Remplacer le boîtier de commande
E15	Court-circuit	Remplacer le moteur (M1)			

Remarque :

1. Fonction d'auto-protection : l'unité activera le mode de protection si le système fonctionne plus de deux minutes alors que la mention « HOT » est affichée sur l'écran de contrôle. Le système se réinitialisera et reprendra son fonctionnement normal après environ 20 minutes.
2. Mode de protection contre les surcharges : au cours du fonctionnement, si la charge sur le bureau dépasse la capacité de poids, le système activera le mode de protection contre les surcharges. Cela protégera le système des dommages causés par un excès de poids. Lorsque cela se produit, le bureau descend d'environ 30 mm et s'arrête en affichant la hauteur actuelle.
3. Attention : ne JAMAIS couper le courant ou éteindre l'appareil afin de le réinitialiser lorsqu'il est en mode de protection ou à l'état « HOT ».

PARAMÈTRES PERSONNALISÉS

Pour tous les paramètres personnalisés ci-dessous :

- Appuyez simultanément sur « M » et « T » pendant 5 secondes jusqu'à ce que le bip retentisse une fois et que « S-1 » s'affiche.
- Si aucune autre action n'est entreprise dans les 10 secondes, le processus sera automatiquement annulé.
- Le processus peut être annulé manuellement en appuyant sur « T » à tout moment.

Paramètre personnalisé 1 : paramètres de hauteur minimale et maximale

- Limite de hauteur minimale : lorsque « S-1 » est affiché, appuyez sur « M », puis appuyez sur « ▲ » ou « ▼ » pour définir la hauteur minimale souhaitée. Appuyez sur « M » pour enregistrer : « L-S » = succès, « L-F » = réessayer.
 - Limite de hauteur maximale : lorsque « S-1 » est affiché, appuyez sur « ▲ » jusqu'à « S-2 ». Appuyez sur « M » une fois, puis appuyez sur « ▲ » ou « ▼ » pour définir la hauteur maximale souhaitée. Appuyez sur « M » pour enregistrer : « H-S » = succès, « H-F » = réessayer.
- Remarque : la hauteur minimale par défaut est de 62 cm (24,4 po) et la plage de réglage est de 62-118 cm (24,4-46,4 po). La hauteur maximale par défaut est de 128 cm (50,4 po) et la plage de réglage est de 72-128 cm (28,3-50,4 po).*

Réglage personnalisé 2 : réglage de la sensibilité anti-collision

- Augmenter la sensibilité : lorsque « S-1 » est affiché, appuyez sur « ▲ » jusqu'à « S-3 ». Appuyez sur « M » une fois, puis appuyez sur « ▲ » ou « ▼ » pour changer le niveau de sensibilité. La sensibilité par défaut est de 2 et la plage de réglage est comprise entre 0 et 8 (0 = désactivé, 8 = max.). Appuyez sur « M » pour enregistrer : « S-S » = succès, « S-F » = réessayer.
- Diminuer la sensibilité : lorsque « S-1 » est affiché, appuyez sur « ▲ » jusqu'à « S-4 ». Appuyez sur « M » une fois, puis appuyez sur « ▲ » ou « ▼ » pour changer le niveau de sensibilité. La sensibilité par défaut est de 2 et la plage de réglage est comprise entre 0 et 8 (0 = désactivé, 8 = max.). Appuyez sur « M » pour enregistrer : « S-S » = succès, « S-F » = réessayer.

Réglage personnalisé 3 : réglage de la sensibilité d'inclinaison du bureau

- Augmenter la sensibilité : lorsque « S-1 » est affiché, appuyez sur « ▲ » jusqu'à « S-5 ». Appuyez sur « M » une fois, puis appuyez sur « ▲ » ou « ▼ » pour changer le niveau de sensibilité. La sensibilité par défaut est de 2 et la plage de réglage est comprise entre 0 et 8 (0 = désactivé, 8 = max.). Appuyez sur « M » pour enregistrer : « S-S » = succès, « S-F » = réessayer.

Réglage personnalisé 4 : réglage de l'affichage de la hauteur avec/sans bureau

- Lorsque « S-1 » est affiché, appuyez sur « ▲ » jusqu'à « S-6 ». Appuyez sur « M » une fois, puis appuyez sur « ▲ » ou « ▼ » pour saisir l'épaisseur du bureau. Appuyez sur « M » pour enregistrer : « T-S » = succès, « T-F » = réessayer.

Réglage personnalisé 5 : verrouillage/déverrouillage automatique de l'écran

- Lorsque « S-1 » est affiché, appuyez sur « ▲ » jusqu'à « S-7 ». Appuyez sur « M » une fois, puis appuyez sur « ▲ » ou « ▼ » pour activer le verrouillage automatique (1) ou pour le désactiver (0). Appuyez sur « M » pour enregistrer : « A-S » = succès, « A-F » = réessayer.

Pour réinitialiser les paramètres personnalisés, appuyez simultanément sur « M », « T » et « ▲ » pendant 5 secondes, jusqu'à ce que le bip retentisse.

GARANTIE LIMITÉE DE LA BASE DE BUREAU RÉGLABLE EN HAUTEUR CAMBIO™ FELLOWES

Fellowes, Inc. (« Fellowes ») atteste que la base de bureau réglable en hauteur Cambio™ (le « produit ») ne présentera aucun défaut matériel ou de conception pendant la période indiquée ci-dessous.

Le cadre de la structure pour une période de quinze (15) ans à compter de la date d'achat initial du produit.

Tous les composants électriques pour une période de sept (7) ans à compter de la date d'achat initiale du produit.

Cette garantie s'applique uniquement à l'acheteur initial et ne couvre aucun dommage né d'une mauvaise utilisation, d'un non-respect des instructions d'installation et d'utilisation, d'une négligence, de l'utilisation d'accessoires non autorisés, d'une utilisation commerciale, d'une utilisation sur un courant ou une tension différent(e) de celui/celle indiqué(e) sur le produit ou d'une maintenance non autorisée pendant la période de garantie, pour des éléments normalement couverts par la garantie.

LA DURÉE DE TOUTE GARANTIE IMPLICITE, Y COMPRIS MAIS SANS S'Y LIMITER, TOUTE GARANTIE IMPLICITE DE QUALITÉ MARCHANDE OU D'ADAPTATION À DES FINS SPÉCIFIQUES, EST LIMITÉE EXPRESSÉMENT À LA DURÉE DE CETTE GARANTIE LIMITÉE.

SAUF MENTION CONTRAIRE PAR LES LOIS EN VIGUEUR, L'UNIQUE RECOURS DONT DISPOSE LE CLIENT POUR TOUTE VIOLATION DE CETTE GARANTIE, DE TOUTE GARANTIE IMPLICITE OU DE TOUTE OBLIGATION DÉCOULANT DE LA LOI OU AUTRE SERA LIMITÉ TEL QUE PRÉCISÉ DANS LA PRÉSENTE À LA RÉPARATION, LE REMPLACEMENT OU LE REMBOURSEMENT DU PRIX D'ACHAT, À LA DISCRÉTION DE LA SOCIÉTÉ.

EN AUCUN CAS, LA SOCIÉTÉ, SES FILIALES, SOCIÉTÉS AFFILIÉES, ENTITÉS ASSOCIÉES, REVENEURS OU LEURS AGENTS, DIRECTEURS OU EMPLOYÉS RESPECTIFS OU CES PERSONNES DONT ILS SONT RESPONSABLES SELON LA LOI, NE SERONT RESPONSABLES DES DOMMAGES DIRECTS OU INDIRECTS RÉSULTANT DE L'UTILISATION DU PRODUIT. LA SOCIÉTÉ ET CES AUTRES PARTIES N'ASSUMENT ET N'AUTORISENT AUCUN REPRÉSENTANT OU AUTRE PERSONNE À ASSUMER POUR AUCUN D'ENTRE EUX D'OBLIGATION OU DE RESPONSABILITÉ AUTRE QUE CELLES QUE PRÉVOIT LA PRÉSENTE.

La durée, les conditions générales et les conditions de cette garantie sont valables dans le monde entier, excepté en cas de limites, de restrictions ou de conditions exigibles par les lois locales.

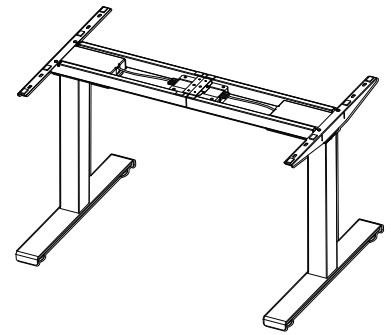
INSTRUCCIONES DE SEGURIDAD/ADVERTENCIAS

ADVERTENCIA: INSTRUCCIONES DE SEGURIDAD IMPORTANTES: ¡Lea las instrucciones antes del uso!

- **PRECAUCIÓN: ¡Peligro de elevación!** Se necesitan **dos personas** para mover el escritorio. Podrían producirse lesiones graves.
- **NO SUPERE LA CAPACIDAD DE PESO MÁXIMO INDICADA. PODRÍAN PRODUCIRSE DAÑOS MATERIALES O LESIONES GRAVES.**
- No utilice la mesa si tiene alguna pieza dañada o defectuosa.
- No ponga obstáculos en el recorrido del escritorio.
- No coloque ningún objeto de más de 558 mm de altura debajo del escritorio.
- Asegúrese de que el escritorio cuenta con suficiente espacio libre a su alrededor (al menos 25 mm con respecto a todas las paredes y objetos que lo rodeen).
- No se siente ni se ponga de pie sobre el escritorio.
- No desmonte las patas, la caja de control ni la controladora. Se pueden producir lesiones graves.
- Asegúrese de que todos los cables tengan suficiente longitud como para soportar los cambios de altura y siga las instrucciones de este manual a la hora de realizar el trazado. El incumplimiento de estas instrucciones podría ocasionar daños materiales o personales.
- Mantenga los componentes eléctricos lejos de cualquier líquido. Limpie los componentes eléctricos únicamente con un paño seco.
- Solo para uso en interiores.
- Mantenga el cable eléctrico lejos de fuentes de calor.
- Desconecte el escritorio antes de moverlo o realizar tareas de mantenimiento.
- Retire el equipamiento y los accesorios del escritorio antes de moverlo.
- Mantenga a los niños fuera del alcance de las piezas móviles y de debajo del escritorio.

Peso máximo incluido el tablero de la mesa

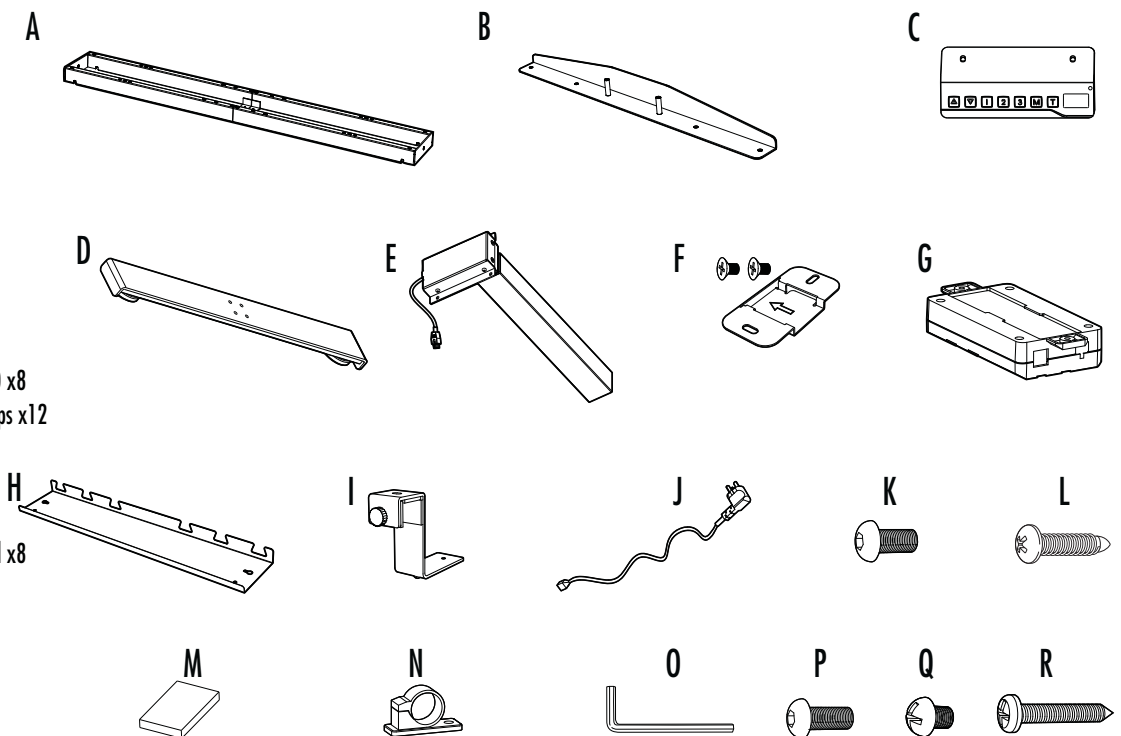
≤ 100 Kg
≤ 220 libras



Especificaciones técnicas	
Tensión	100-240 V
Frecuencia	50/60 Hz
Corriente (amperios)	5 A
Potencia	200 W

PIEZAS SUMINISTRADAS (Nota: puede incluir piezas adicionales)

- A Barra x1
- B Soporte lateral x2
- C Control x1
- D Pata de la base x2
- E Columna elevadora x2
- F Placa de fijación x1
+ Tornillo de cabeza Phillips x2
- G Caja de mando x1
- H Bandeja para la gestión de cables x1
- I Enganche x2
- J Cable de alimentación
- K Tornillo de cabeza hexagonal M6x10 x8
- L M6 Tornillo de cabeza redonda Phillips x12
- M Almohadilla antivibración x12
- N Gancho para cable x3
- O Llave Hexagonal de 5 mm x1
- P M6x16 Tornillo de cabeza hexagonal x8
- Q M3 Tornillo de cabeza Phillips x2
- R Tornillo de cabeza x2



Otras herramientas requeridas

- Destornillador Phillips
- Taladro eléctrico

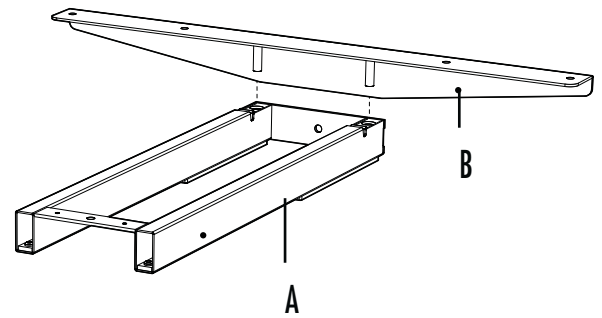
INSTALACIÓN DE LA BASE

PASO 1

Fijación de los soportes laterales

- Coloque el tablero del escritorio boca abajo sobre una superficie suave y limpia.
- Desembale la barra y colóquela con cuidado sobre el suelo.
- Fije el soporte lateral al extremo de la barra.
- Repita la operación para montar el segundo soporte lateral.

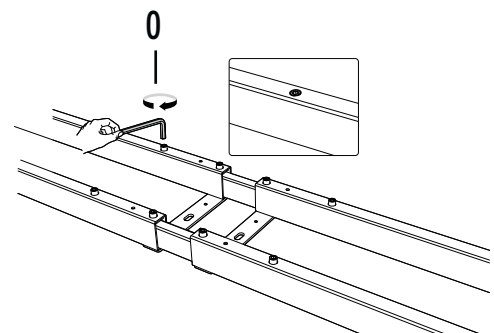
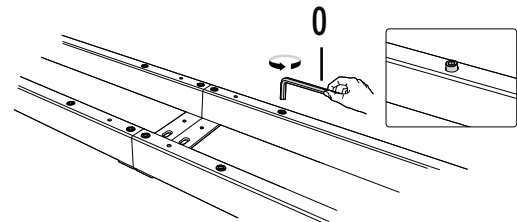
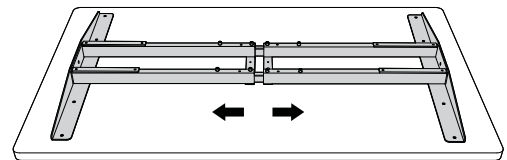
*Nota: Asegúrese de que la barra y los soportes laterales permanezcan hacia arriba durante la instalación.



PASO 2

Ajuste la posición del marco antes de fijarlo al tablero

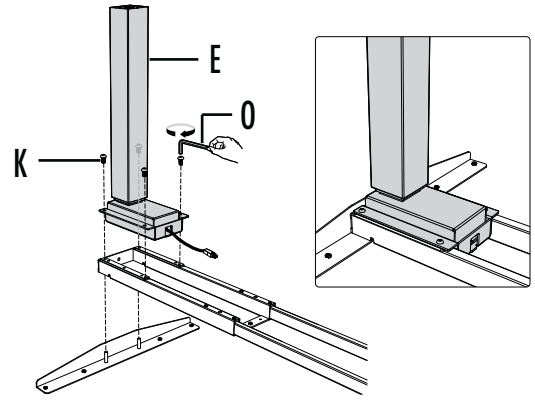
- Ajuste las vías transversales a sus longitudes finales.
- Utilice la llave hexagonal de 5 mm para aflojar los 8 tornillos de la parte interior de las vías.
- Compruebe que los soportes superiores de cada lado estén alineados con los orificios previamente perforados en el marco.
- Una vez que se haya ajustado de forma adecuada, utilice la llave hexagonal de 5 mm para volver a apretar los tornillos (8 en total).



PASO 3

Montaje de las columnas de elevación

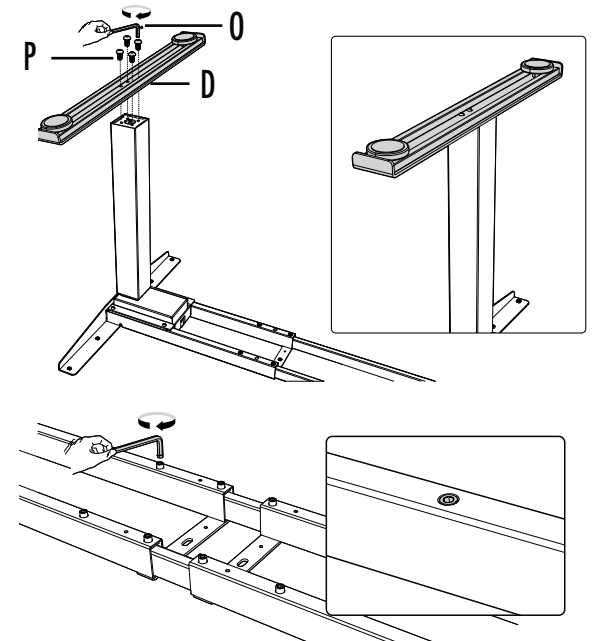
- Retire el tablero para seguir con la instalación.
- Inserte las dos columnas de elevación en los dos extremos de la barra. Las cabezas de las columnas deben mirar hacia dentro. Asegúrese de que los orificios de montaje de las columnas de elevación estén completamente alineados con los orificios para tornillos de la barra.
- Fije la columna de elevación y el soporte lateral a la barra utilizando 4 tornillos de cabeza hexagonal **M6x10** con la ayuda de la llave hexagonal.
- Repita el proceso para montar la segunda columna de elevación.



PASO 4

Montaje de las patas

- Coloque la pata en la parte inferior de la columna de elevación. Alinee los orificios de montaje de la pata con los orificios para tornillos que hay sobre la columna de elevación.
- Fije la pata con 4 tornillos de cabeza hexagonal **M6x16** utilizando la llave hexagonal.
- Repita el proceso para montar la segunda pata.
- Vuelva a apretar todos los tornillos de cabeza hexagonal para terminar el ajuste.

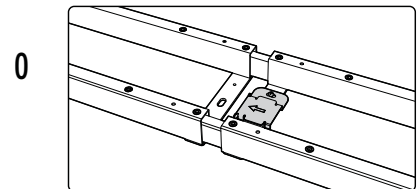
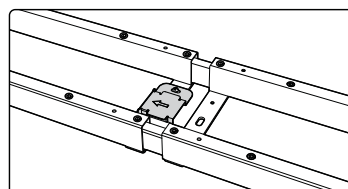
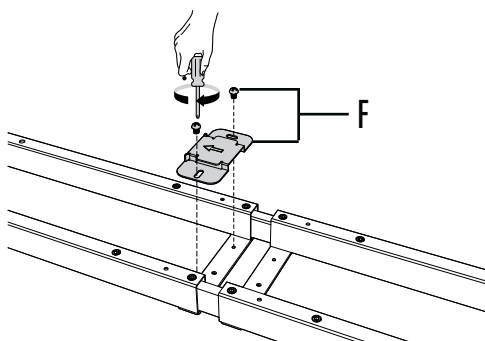


PASO 5

Montaje de la placa de fijación

- Haga coincidir los orificios de montaje que presenta la placa de fijación con los orificios para tornillos de la forma que se indica.
- Fije la placa de fijación en el centro de la barra utilizando 2 tornillos de cabeza Phillips y ayudándose de un destornillador Phillips. La placa de fijación puede montarse en el lado derecho o en el lado izquierdo.

*Nota: La flecha que aparece en la placa de fijación indica la dirección de deslizamiento en la caja de control. Siga la dirección de la flecha para montar la caja de control en el siguiente paso.



PASO 6

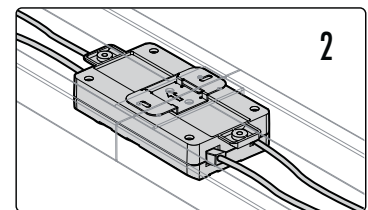
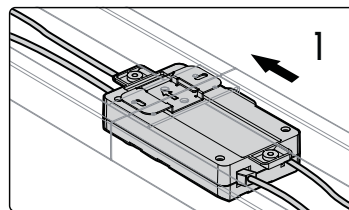
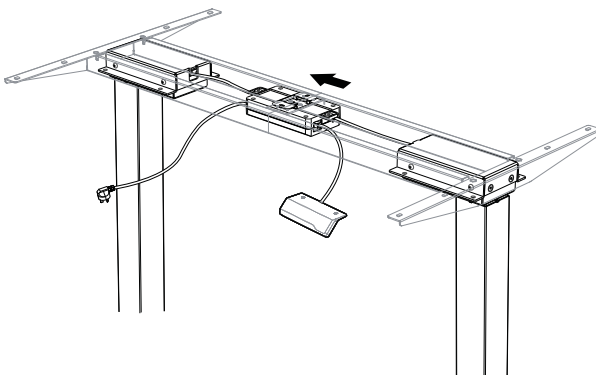
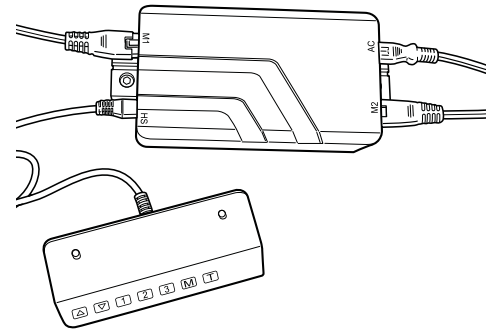
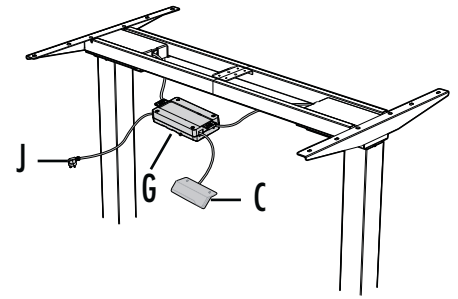
Conexión de cables

De la vuelta el marco del escritorio dejando la barra hacia arriba. Se necesitan al menos dos personas para darle la vuelta al marco del escritorio.

⚠ ADVERTENCIA Si una persona da la vuelta al marco del escritorio sin ayuda, podrían producirse lesiones graves

- Conecte los dos cables del motor a cualquiera de los puertos que hay en los laterales de la caja de control con la marca "M1" o "M2".
- Conecte el cable del controlador al puerto con la marca "HS".
- Inserte el cable de alimentación en el puerto con la marca "AC".
- Alinee la placa de fijación con el extremo derecho de la ranura de la caja de control. Deslice la caja de control en la placa de fijación desde la izquierda hasta que la caja no pueda moverse.

***Nota:** Asegúrese de que la ranura de la caja de control esté hacia arriba. No existe una relación de correspondencia entre los dos puertos del motor y las dos columnas de elevación.

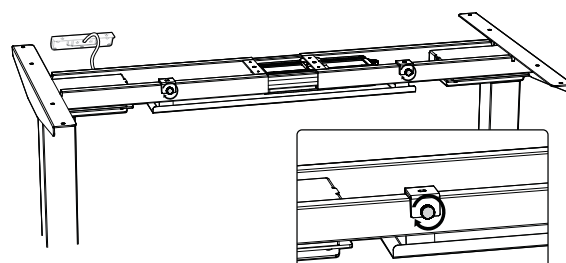
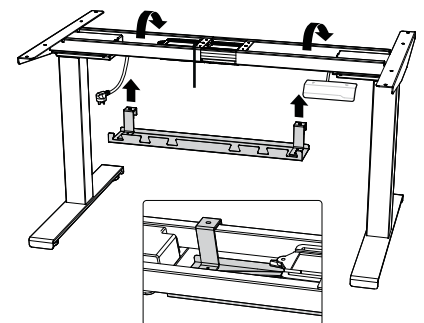
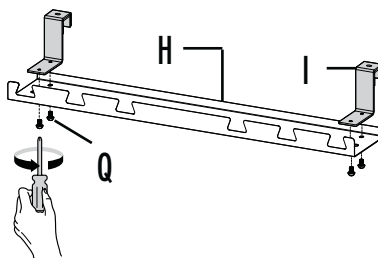


****Nota:** La imagen del controlador es solo para su uso como referencia. El producto real podría ser diferente.

INSTALACIÓN DE ACCESORIOS: BANDEJA PARA LA GESTIÓN DE CABLES

Bandeja para la gestión de cables

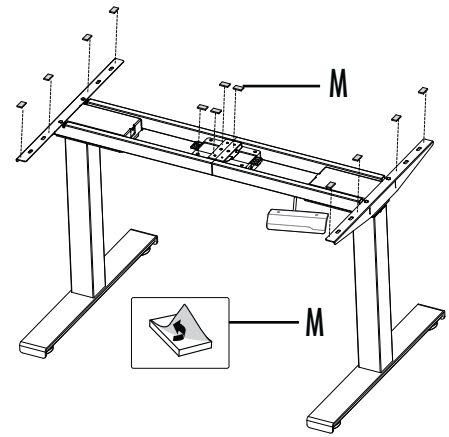
- Alinee los orificios de montaje que hay en los ganchos de la bandeja con los orificios para tornillos que hay en la bandeja para la gestión de cables. Monte los ganchos de la bandeja por la parte de abajo con 4 tornillos de cabeza Phillips ayudándose de un destornillador Phillips.
- Cuelgue la bandeja para la gestión de cables en la barra.
- Apriete las perillas en los colgadores de la bandeja.



MONTAJE DEL ESCRITORIO

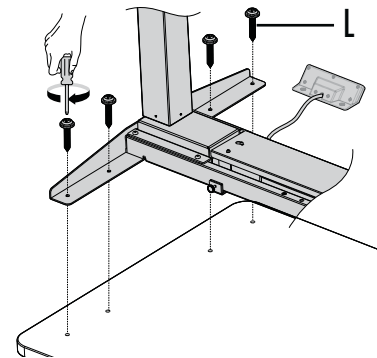
PASO 1

- Coloque las almohadillas antivibraciones en la superficie de la barra en las 12 posiciones que se muestran.



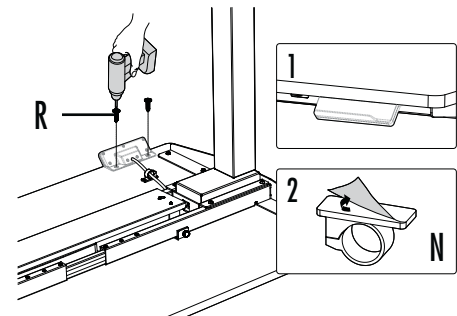
PASO 2

- Alinee los orificios para tornillos previamente perforados con los orificios de montaje de la barra. Inserte y apriete los 4 tornillos de cabeza Phillips.
- Repita el mismo proceso para ajustar el otro lado del escritorio.



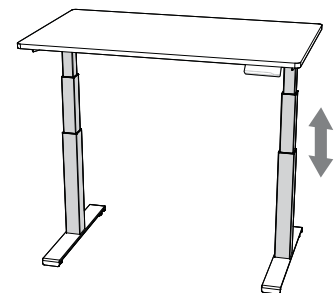
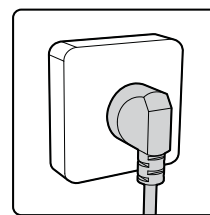
PASO 3

- Conecte el controlador al escritorio con 2 tornillos de cabeza Phillips usando un taladro.
- Pegue los ganchos adhesivos para cables debajo del escritorio para poder organizar los cables.



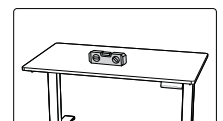
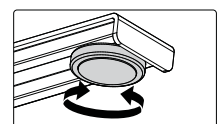
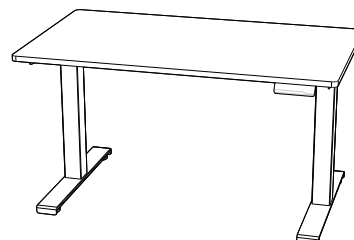
PASO 4

- Conecte el cable de alimentación al controlador de la base y a una toma de corriente.

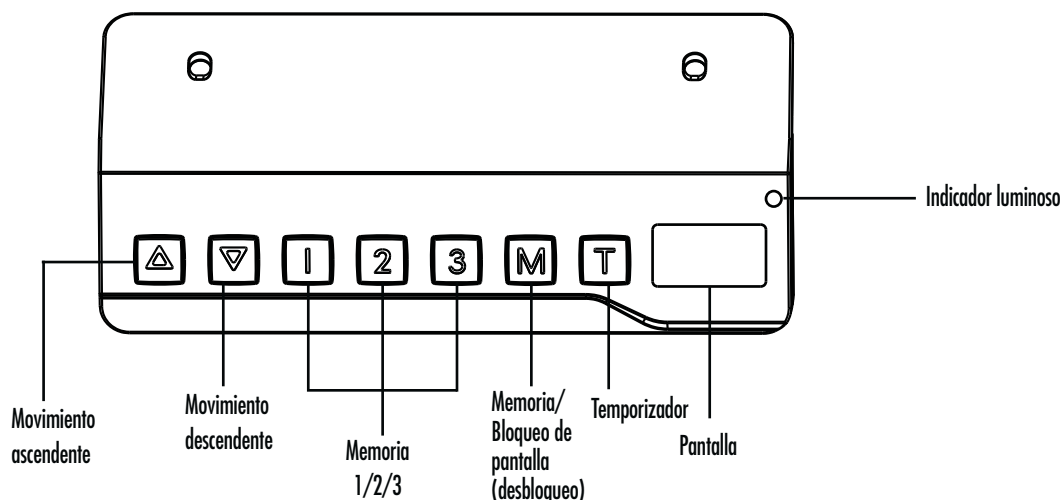


PASO 5

- Hay dos almohadillas ajustables para las patas debajo de cada una de ellas. Si el suelo es desigual, solo tendrá que girar la almohadilla para ajustar la altura y que el escritorio se estabilice.



Sugerencia: Use un nivel de burbuja para verificar que el escritorio esté en una posición horizontal.



1. FUNCIONAMIENTO GENERAL

Se emitirá un pitido cuando se encienda el sistema y la altura actual del escritorio se mostrará en el controlador.

 Movimiento ascendente  Movimiento descendente

Presione “▲” o “▼” y no suelte hasta que la mesa alcance la altura deseada (mostrada en el controlador). La protección contra sobrecalentamiento se activará si el motor está en funcionamiento de forma continua durante un período de tiempo relativamente largo. El panel de control volverá a funcionar de forma normal después de aproximadamente 18 minutos.

MODO DE AHORRO DE ENERGÍA: (10 MINUTOS)

El modo de ahorro de energía se activará cuando hayan pasado 10 minutos sin haber realizado ninguna acción. Toque cualquier botón para volver al modo de funcionamiento.

2. CONFIGURACIÓN DE MEMORIA

Presione “M” para almacenar una determinada altura en la memoria del controlador. Se mostrará la letra “S-”. Ahora presione “1”, “2” o “3” durante 5 segundos para guardar la altura actual en la memoria. Cada uno de los botones “1”, “2” o “3” puede almacenar una altura diferente. Una vez que las alturas se hayan guardado en la memoria del controlador, podrá seleccionar cualquiera de las 3 configuraciones presionando el botón correspondiente hasta alcanzar la altura definida. Presione cualquier botón para cancelar la configuración.

3. BLOQUEO / DESBLOQUEO DE PANTALLA

Para bloquear la pantalla, presione “M” durante 3 segundos. La pantalla mostrará “---”. La pantalla ha quedado bloqueada y ninguna operación será válida. Para desbloquear la pantalla, presione “M” durante 3 segundos. La pantalla mostrará la altura actual.

Nota: Asegúrese de que la función de bloqueo automático esté ACTIVADA. Consulte la sección “PARTE 5: Guía de programación personalizada” y modifique el bloqueo de pantalla.

4. TEMPORIZADOR

Para configurar el temporizador, presione “T”. La pantalla parpadeará “0,5 h”, lo que significa media hora. Presione “T” repetidamente para aumentar el tiempo en intervalos de 30 minutos. La configuración máxima del temporizador es de 2 horas. La hora quedará establecida cuando el dígito deje de parpadear y la luz de la esquina superior derecha del controlador esté encendida. Cuando el temporizador haya alcanzado el tiempo establecido, el indicador acústico emitirá un pitido para recordarle al usuario que debe ajustar su posición de trabajo. El temporizador se apagará automáticamente después de cinco pitidos. El temporizador de la unidad se cancelará cuando la configuración del temporizador haya expirado. Para desactivar el temporizador, presione “T” cinco veces hasta que se muestre la altura actual y la luz que se encuentra en la esquina superior derecha del controlador esté apagada.

5. CAMBIAR ENTRE CM Y PULGADAS

La unidad de medida preestablecida que muestra la pantalla es cm. Si desea cambiar de cm a pulgadas, presione “T” durante 8 segundos. La unidad de medida se habrá reestablecido correctamente después de que el indicador acústico haya emitido dos pitidos. Si desea volver cambiar de pulgadas a cm, presione “T” durante 8 segundos. El sistema habrá cambiado a cm correctamente después de que el indicador acústico haya emitido un pitido.

6. RESTABLECER LA UNIDAD DE CONTROL

Presione los botones "▲" y "▼" a la vez cuando la unidad está encendida hasta que suene el indicador acústico. El escritorio descenderá a la posición más baja y, a continuación, se elevará ligeramente. No suelte los botones hasta que se complete el proceso.

7. SOLUCIÓN DE PROBLEMAS

N.º de error	Descripción	Solución	N.º de error	Descripción	Solución
E01/E07	Problema eléctrico	Desconecte la alimentación durante 30 segundos y vuelva a conectar	E16/E26	Fallo del motor	Reinicie el sistema
E02	Error en la rosca del tornillo	Reinicie el sistema	E17	Orientación errónea del escritorio	Reemplace el cable del motor (M1)
E04	Error de conexión del controlador digital	Compruebe la conexión y reconecte la alimentación	E18/E28	Sobrecarga de peso	Retire los artículos que haya sobre el escritorio
E05	Sistema de prevención de colisiones	Suete el botón	E21	Sin conexión	Compruebe la conexión (M2)
E06	Problema eléctrico	Reemplace la caja de control	E23	Rotura del cable del motor	Verifique y reemplace el cable del motor (M2)
E08	Inclinación en el escritorio	Reinicie el sistema	E24	Rotura de un cable del cuadro	Verifique y reemplace el cable del motor (M2)
E11	Sin conexión	Compruebe la conexión (M1)	E25	Cortocircuito	Reemplace el motor (M2)
E12/E22	Corriente anómala	Reemplace la caja de control	E27	Orientación errónea del escritorio	Reemplace el cable del motor (M2)
E13	Rotura del cable del motor	Verifique y reemplace el cable del motor (M1)	E42	Fallo de la función de memoria	Reemplace la caja de control
E14	Rotura de un cable del cuadro	Verifique y reemplace el cable del motor (M1)	E43	Fallo en el sensor del sistema de prevención de colisiones	Reemplace la caja de control
E15	Cortocircuito	Reemplace el motor (M1)			

Nota:

1. Función de autoprotección: La unidad entrará en modo de protección si el sistema lleva funcionando de forma excesiva más de dos minutos mientras la palabra "HOT" ("CALIENTE" en inglés) aparece en la pantalla de control. El sistema se reiniciará y volverá a su funcionamiento normal después de aproximadamente 20 minutos.
2. Modo de protección contra sobrecarga: El sistema entrará en modo de protección contra sobrecarga si la carga del escritorio es mayor que la capacidad de peso durante el funcionamiento. De esta forma, el sistema quedará protegido contra los daños causados por un exceso de peso. Cuando esto suceda, el escritorio descenderá aproximadamente 30 mm y se detendrá a la altura actual mostrada.
3. Atención: NUNCA desconecte ni retire el cable de alimentación para restablecer la unidad cuando esté en modo de protección o en estado de calentamiento.

CONFIGURACIONES PERSONALIZADAS

Para todas las configuraciones personalizadas que se muestran a continuación:

- Presione "M" y "T" simultáneamente durante 5 segundos hasta que el indicador acústico emita un pitido y se muestre "S-1" en la pantalla.
- El proceso se cancelará de forma automática si no se realiza ninguna otra acción en 10 segundos.
- El proceso puede cancelarse de forma manual presionando "T" en cualquier momento.

Configuración personalizada 1: Configuración de altura mínima y máxima

- Límite de altura mínima: Presione "M" una vez mientras se muestra "S-1" en la pantalla y, a continuación, presione "▲" o "▼" para establecer la altura mínima deseada. Presione "M" para guardar: "L-S" = Realizado de forma correcta; "L-F" = Inténtelo de nuevo.
- Límite de altura máxima: Presione "▲" a "S-2" mientras se muestra "S-1" en la pantalla. Presione "M" una vez y, a continuación, presione "▲" o "▼" para establecer la altura máxima deseada. Presione "M" para guardar: "H-S" = Realizado de forma correcta; "H-F" = Inténtelo de nuevo.

Nota: La altura mínima predeterminada es de 62 cm (24,4 pulgadas) y el intervalo de ajuste es de 62-118 cm (24,4-46,4 pulgadas). La altura máxima predeterminada es de 128 cm (50,4 pulgadas) y el intervalo de ajuste es de 72-128 cm (28,3-50,4 pulgadas).

Configuración personalizada 2: Configuración de la sensibilidad anticolidión

- Configuración de sensibilidad ascendente: Presione "▲" a "S-3" mientras se muestra "S-1" en la pantalla. Presione "M" una vez y, a continuación, presione "▲" o "▼" para cambiar el nivel de sensibilidad. La sensibilidad predeterminada es de 2 y el intervalo de ajuste es de 0-8 (0 = Apagado, 8 = Máx.). Presione "M" para guardar: "S-S" = Realizado de forma correcta; "H-F" = Inténtelo de nuevo.
- Configuración de sensibilidad descendente: Presione "▲" a "S-4" mientras se muestra "S-1" en la pantalla. Presione "M" una vez y, a continuación, presione "▲" o "▼" para cambiar el nivel de sensibilidad. La sensibilidad predeterminada es de 2 y el intervalo de ajuste es de 0-8 (0 = Apagado, 8 = Máx.). Presione "M" para guardar: "S-S" = Realizado de forma correcta; "H-F" = Inténtelo de nuevo.

Configuración personalizada 3: Configuración de la sensibilidad de inclinación del escritorio

- Configuración de sensibilidad ascendente: Presione "▲" a "S-5" mientras se muestra "S-1" en la pantalla. Presione "M" una vez y, a continuación, presione "▲" o "▼" para cambiar el nivel de sensibilidad. La sensibilidad predeterminada es de 2 y el intervalo de ajuste es de 0-8 (0 = Apagado, 8 = Máx.). Presione "M" para guardar: "S-S" = Realizado de forma correcta; "H-F" = Inténtelo de nuevo.

Configuración personalizada 4: Configuración para mostrar la altura con o sin escritorio

- Presione "▲" a "S-6" mientras se muestra "S-1" en la pantalla. Presione "M" una vez y, a continuación, presione "▲" o "▼" para introducir el grosor del escritorio. Presione "M" para guardar: "T-S" = Realizado de forma correcta; "T-F" = Inténtelo de nuevo.

Configuración personalizada 5: Bloqueo/desbloqueo automático de la pantalla

- Presione "▲" a "S-7" mientras se muestra "S-1" en la pantalla. Presione "M" una vez y, a continuación, presione "▲" o "▼" para activar el bloqueo automático (1) o para desactivarlo (0). Presione "M" para guardar: "A-S" = Realizado de forma correcta; "A-F" = Inténtelo de nuevo.

Para restablecer las configuraciones personalizadas, presione "M", "T" y "▲" simultáneamente durante 5 segundos hasta que el indicador acústico emita un pitido.

GARANTÍA LIMITADA PARA LA BASE DE ESCRITORIO CON ALTURA AJUSTABLE CAMBIO™ DE FELLOWES

Fellowes, Inc. (la "Empresa") garantiza que la Base de escritorio con altura ajustable Cambio™ ("Producto") no presentará defectos de material ni fabricación durante el periodo de tiempo que se establece a continuación.

El marco estructural, durante un periodo de quince (15) años a partir de la fecha de compra original del producto.

Todos los componentes eléctricos, durante un periodo de siete (7) años a partir de la fecha de compra original del producto.

Esta garantía solo se aplica al primer comprador al por menor y no cubre reclamaciones debidas al mal uso, al incumplimiento de las instrucciones sobre instalación o uso, negligencia, uso de accesorios no permitidos, uso comercial, uso en un voltaje o una corriente distintos a los especificados en el producto, o reparación no autorizada durante el periodo de garantía en condiciones distintas a las cubiertas por garantía.

LA DURACIÓN DE TODA GARANTÍA IMPLÍCITA, LO QUE INCLUYE, PERO SIN LIMITACIÓN, CUALQUIER GARANTÍA IMPLÍCITA DE COMERCIABILIDAD O IDONEIDAD PARA UN FIN PARTICULAR, QUEDA EXPRESAMENTE LIMITADA A LA DURACIÓN DE ESTA GARANTÍA LIMITADA.

A MENOS QUE LO EXIJA LA LEGISLACIÓN APLICABLE, LA ÚNICA SOLUCIÓN PARA EL CLIENTE POR EL INCUMPLIMIENTO DE ESTA GARANTÍA, CUALQUIER GARANTÍA IMPLÍCITA O CUALQUIER OTRA OBLIGACIÓN QUE SURJA POR MINISTERIO DE LA LEY SE LIMITARÁ A LO ESPECIFICADO EN EL PRESENTE DOCUMENTO A REPARAR, SUSTITUIR O REEMBOLSAR EL PRECIO DE LA COMPRA, SEGÚN ÚNICAMENTE EL CRITERIO DE LA EMPRESA.

EN NINGUNA CIRCUNSTANCIA LA EMPRESA, SUS FILIALES, SUBSIDIARIAS, ENTIDADES RELACIONADAS, DISTRIBUIDORES O SUS CORRESPONDIENTES DIRECTIVOS, ADMINISTRADORES, EMPLEADOS O AQUELLAS PERSONAS DE LOS QUE SEAN RESPONSABLES POR LEY, SERÁN RESPONSABLES DE LOS DAÑOS CONSECUCIONALES O INCIDENTALES RELACIONADOS CON EL PRODUCTO. LA EMPRESA Y ESTAS OTRAS PARTES NO ASUMEN NI AUTORIZAN A NINGÚN REPRESENTANTE U OTRA PERSONA QUE LO ASUMA POR ELLOS NINGUNA OBLIGACIÓN NI RESPONSABILIDAD DISTINTAS A LAS EXPRESAMENTE INDICADAS EN EL PRESENTE DOCUMENTO.

La duración, los términos y las condiciones de esta garantía son válidos en todo el mundo, excepto en los lugares donde la legislación local exija limitaciones, restricciones o condiciones diferentes.

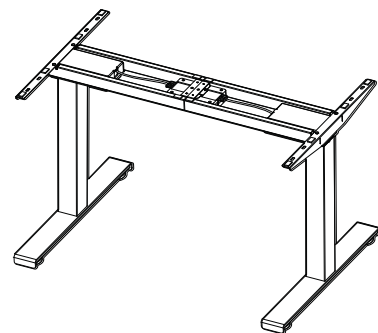
SICHERHEITSHINWEISE/WARNHINWEIS

ACHTUNG: WICHTIGE SICHERHEITSHINWEISE - Vor Gebrauch lesen!

- **VORSICHT:** Gefahr durch Heben! Zum Bewegen des Schreibtisches sind **zwei Personen** erforderlich. Anderenfalls kann es zu schweren Verletzungen kommen.
- **DAS AUFGEFÜHRTE MAXIMALGEWICHT NICHT ÜBERSCHREITEN.** ANDERENFALLS KANN ES ZU SCHWEREN VERLETZUNGEN ODER SACHSCHÄDEN KOMMEN.
- Bei beschädigten oder defekten Teilen den Tisch nicht verwenden.
- Den Bedienungsbereich des Schreibtisches von Hindernissen freihalten.
- Keine Gegenstände unter dem Tisch platzieren, die höher als 55 cm sind.
- An allen Seiten des Tisches auf ausreichend Abstand zu Wänden und Gegenständen achten (mindestens 2,5 cm).
- Nicht auf dem Schreibtisch sitzen oder stehen.
- Die Tischbeine, den Steuerkasten und die Steuerung nicht auseinandernehmen. Anderenfalls kann es zu schweren Verletzungen kommen.
- Sicherstellen, dass alle Kabel die zur Höhenverstellung ausreichende Länge aufweisen und die Kabelführungsanweisungen dieser Anleitung beachten. Nichtbefolgung dieser Anweisungen kann zu Sachschäden oder Verletzungen führen.
- Flüssigkeiten von allen elektrischen Komponenten fernhalten. Elektrische Komponenten nur mit einem trockenen Tuch reinigen.
- Nur für den Innengebrauch vorgesehen.
- Das Netzkabel von Wärmequellen fernhalten.
- Vor der Reinigung oder Wartung den Schreibtisch vom Netzstrom trennen.
- Vor dem Bewegen des Schreibtisches alle Geräte und Zubehörteile vollständig entfernen.
- Kinder von den beweglichen Teilen und vom Bereich unter der Schreibtischplatte fernhalten.

Maximales Gewicht einschließlich Tischplatte

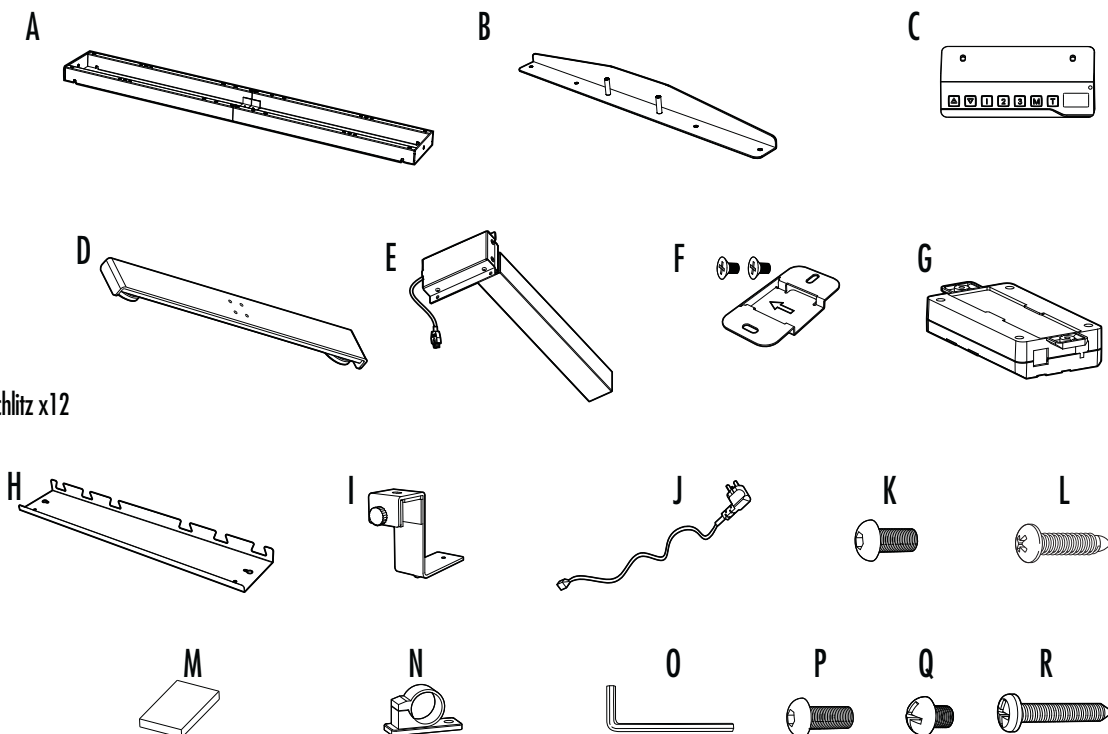
≤ 100 kg
≤ 220 Pfund



Technische Daten	
Spannung	100 - 240 V
Frequenz	50/60 Hz
Strom (Ampere)	5 Ampere
Wattleistung	200 Watt

IM LIEFERUMFANG ENTHALTENE TEILE (Hinweis: Zusätzliches Montagematerial ist möglicherweise enthalten.)

- A Traverse x1
- B Seitenhalterung x2
- C Steuereinheit x1
- D Gestellfuss x2
- E Hubsäule x2
- F Befestigungsplatte x1
+ Kreuzschlitzschraube x2
- G Steuerkasten x1
- H Kabelablage x1
- I Haken x2
- J Netzkabel
- K M6x10 Sechskantschraube x8
- L M6 Linsenkopfschraube mit Kreuzschlitz x12
- M Schwingungsdämpfer x12
- N Kabelschelle x3
- O 5-mm-Inbusschlüssel x1
- P M6x16 Sechskantschraube x8
- Q M3 Kreuzschlitzschraube x4
- R Kreuzschlitzschraube x2



Andere erforderliche Werkzeuge

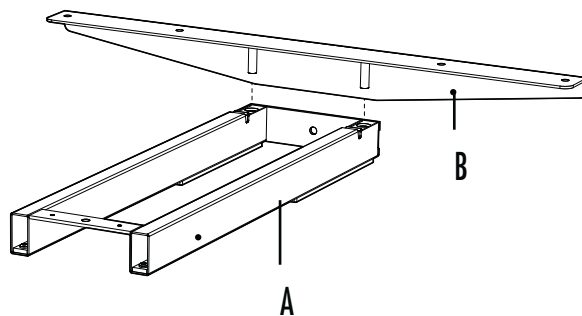
- Kreuzschraubenzieher
- Schnellschrauber

SCHRITT 1

Seitliche Halterungen anbringen

- Die Tischplatte mit der Oberseite nach unten auf eine weiche, saubere Fläche legen.
- Traverse auspacken und vorsichtig auf den Boden legen.
- Seitenhalterung am Ende der Traverse befestigen.
- Diesen Vorgang wiederholen, um die andere Seitenhalterung zu montieren.

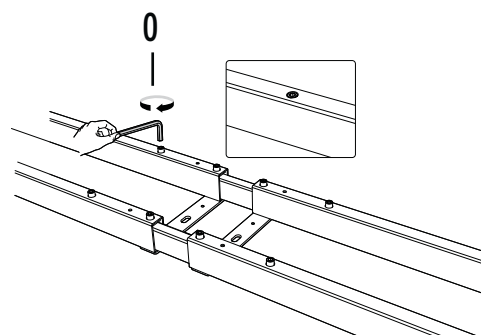
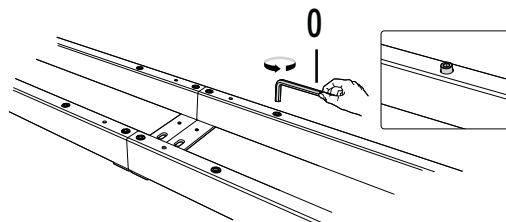
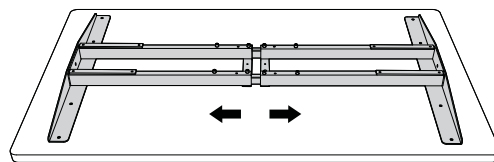
Hinweis: Darauf achten, dass die Traverse und die seitlichen Halterungen während der Montage nach oben zeigen.



SCHRITT 2

Positionieren des Gestells vor dem Befestigen an der Tischplatte

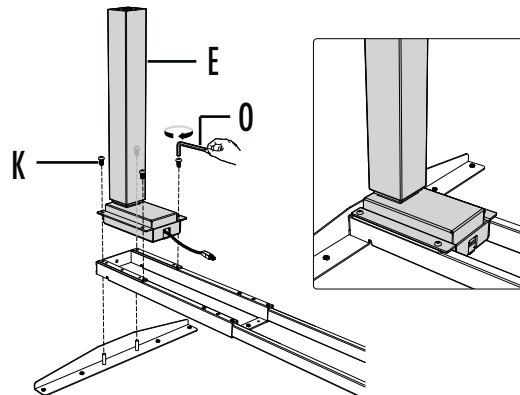
- Querstreben auf endgültige Breite einstellen.
- Mit dem 5 mm-Inbusschlüssel die (8) Stellschrauben an der Innenseite der Querstreben lösen.
- Darauf achten, dass die Auflagen der Tischplatte an jeder Seite an den vorhandenen Bohrungen des Gestells ausgerichtet sind.
- Nach dem korrekten Ausrichten mit dem 5 mm-Inbusschlüssel alle (8) Stellschrauben wieder festziehen.



SCHRITT 3

Hubsäulen montieren

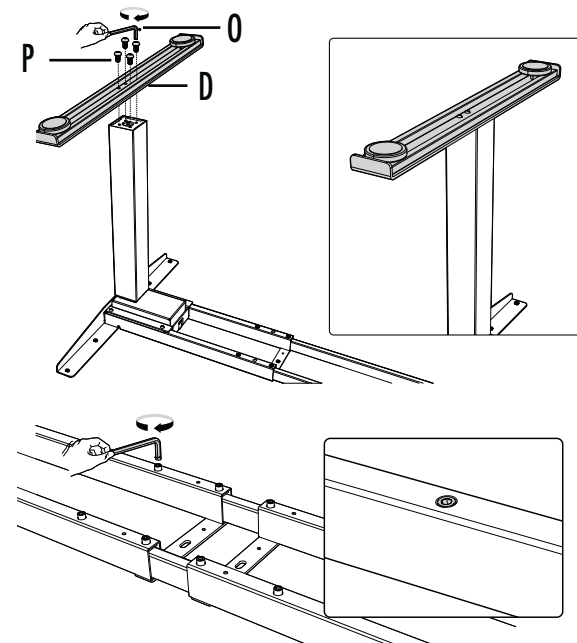
- Tischplatte für die weitere Montage entfernen.
- Die beiden Hubsäulen mit jeweils einwärts gerichtetem Kopf in die beiden Enden der Traverse einführen. Darauf achten, dass die Montagebohrungen der Hubsäulen vollständig mit den Schraubenlöchern der Traverse ausgerichtet sind.
- Hubsäule mit 4 **M6x10** Sechskantschrauben und 5 mm Inbusschlüssel an der Seitenhalterung befestigen.
- Diesen Vorgang wiederholen, um die andere Hubsäule zu montieren.



SCHRITT 4

FüÙe montieren

- Fuß an der Unterseite der Hubsäule positionieren. Montagebohrungen des Fußes mit den Schraubenlöchern der Hubsäule ausrichten.
- 4 **M6x16** Sechskantschrauben mit dem 5 mm Inbusschlüssel festziehen, um den Fuß zu befestigen.
- Diesen Vorgang wiederholen, um den anderen Fuß zu montieren.
- Alle Sechskantschrauben erneut anziehen, um die Einstellung abzuschließen.

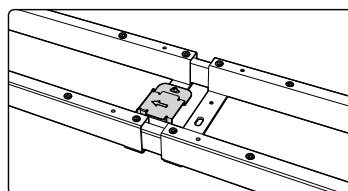
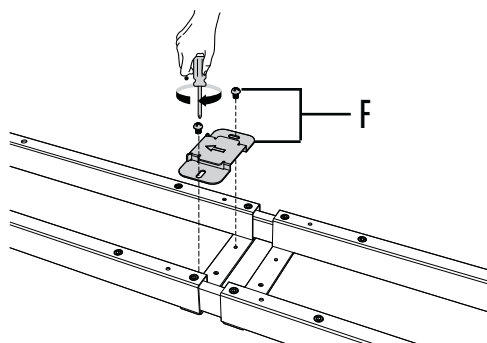


SCHRITT 5

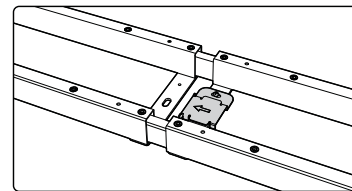
Befestigungsplatte montieren

- Montagebohrungen der Befestigungsplatte mit den Schraubenlöchern ausrichten, wie in der Abbildung dargestellt.
- Befestigungsplatte in der Mitte der Traverse mit 2 Kreuzschlitzschrauben und einem Kreuzschlitzschraubendreher befestigen. Die Befestigungsplatte kann rechts oder links montiert werden.

Hinweis: Der Pfeil auf der Befestigungsplatte zeigt die Schieberichtung im Steuerkasten an. Bei der Montage des Steuerkastens im nächsten Schritt bitte die Pfeilrichtung berücksichtigen.



ODER



SCHRITT 6

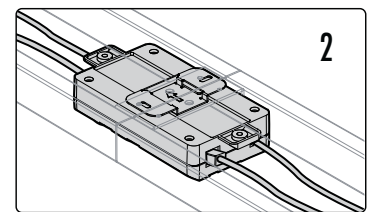
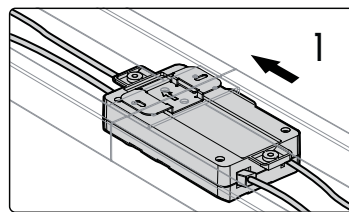
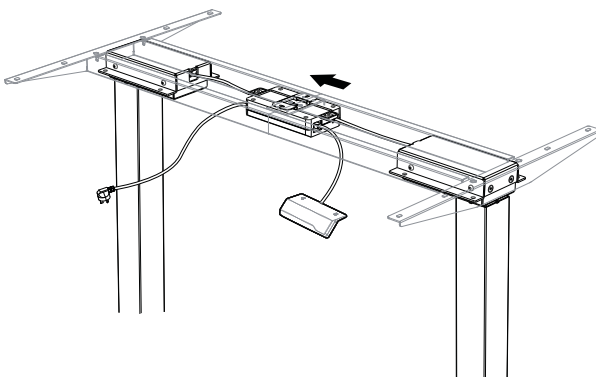
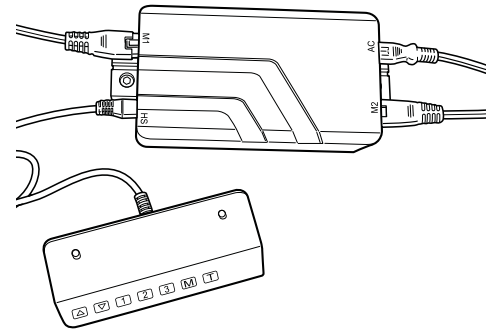
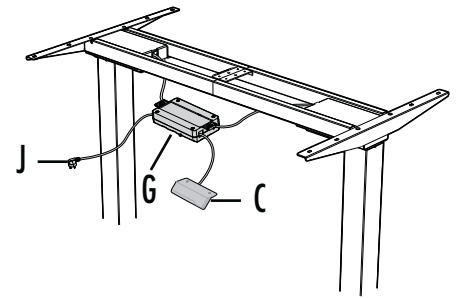
Anschlusskabel

Tischgestell mit der Traverse nach oben umdrehen. **Zum Umdrehen des Tischgestells sind mindestens zwei Personen erforderlich.**

⚠ ACHTUNG Wenn nur eine Person das Tischgestell umdreht, besteht die Gefahr schwerer Verletzungen.

- Die beiden Motorkabel in die beiden mit „M1“ und „M2“ gekennzeichneten Anschlüsse seitlich am Steuerkasten einstecken.
- Kabel der Steuereinheit in den mit „HS“ gekennzeichneten Anschluss einstecken.
- Netzkabel in den mit „AC“ gekennzeichneten Anschluss einstecken.
- Befestigungsplatte mit dem rechten Ende der Nut der Steuereinheit ausrichten. Den Steuerkasten von links bis zum Anschlag in die Befestigungsplatte einschieben.

Hinweis: Darauf achten, dass die Nut der Steuereinheit nach oben zeigt. Die beiden Motoranschlüsse und die beiden Hubsäulen sind unabhängig voneinander.

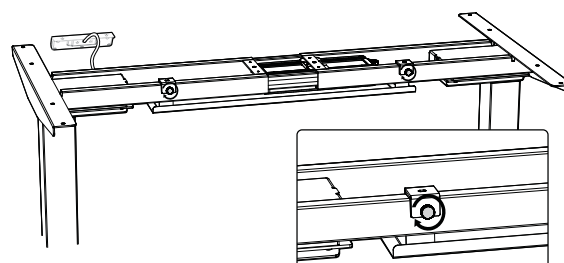
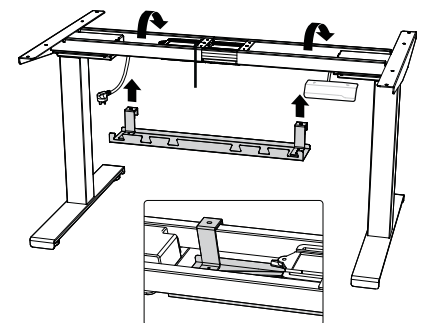
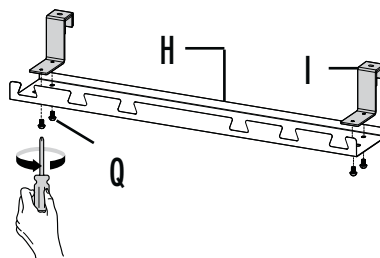


Hinweis: Die Abbildung der Steuereinheit dient nur als Referenz. Das tatsächliche Produkt kann davon abweichen.

MONTAGE DES ZUBEHÖRS - KABELABLAGE

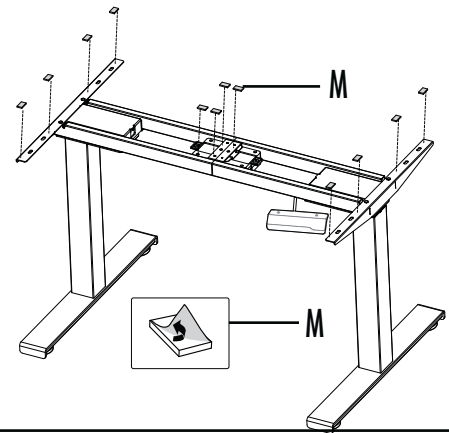
Kabelablage

- Montagebohrungen der Wannenhalterungen mit den Schraubenlöchern der Kabelablage ausrichten. Wannenhalterungen mit 4 Kreuzschlitzschrauben und einem Kreuzschlitzschraubendreher von unten montieren.
- Kabelablage an die Traverse hängen.
- Feststellrädchen an den Wannenhalterungen festziehen.



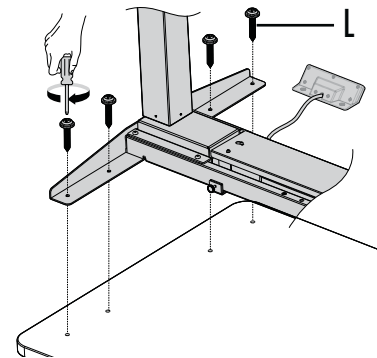
SCHRITT 1

- Schwingungsdämpfer an der Oberfläche der Traverse an den 12 Positionen befestigen (siehe Abbildung).



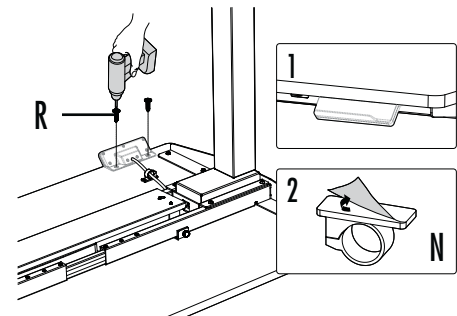
SCHRITT 2

- Die vorgebohrten Schraubenlöcher mit den Montagebohrungen der Traverse ausrichten. Die 4 Kreuzschlitzschrauben festziehen.
- Zum Befestigen der anderen Tischplattenseite auf gleiche Weise vorgehen.



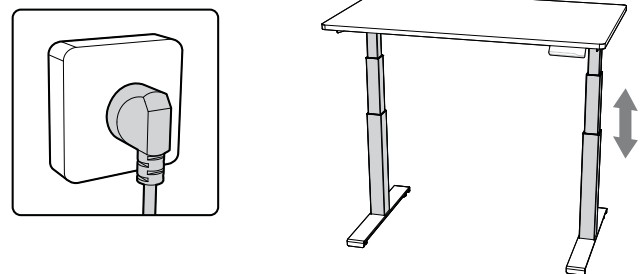
SCHRITT 3

- Steuereinheit mit 2 Kreuzschlitzschrauben unter Verwendung eines Schnellschraubers am Tisch befestigen.
- Die selbstklebenden Kabelschellen unter der Tischplatte ankleben, um die Kabel geordnet zu verlegen.



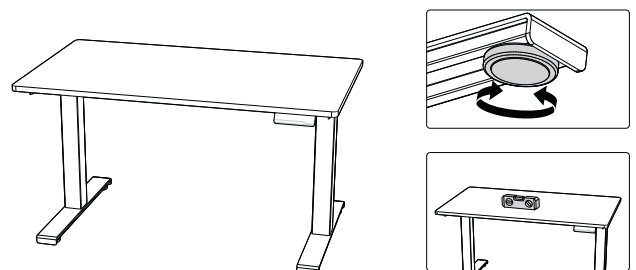
SCHRITT 4

- Ein Ende des Netzkabels in die Steuereinheit des Tischgestells und das andere Ende in eine Netzsteckdose einstecken.

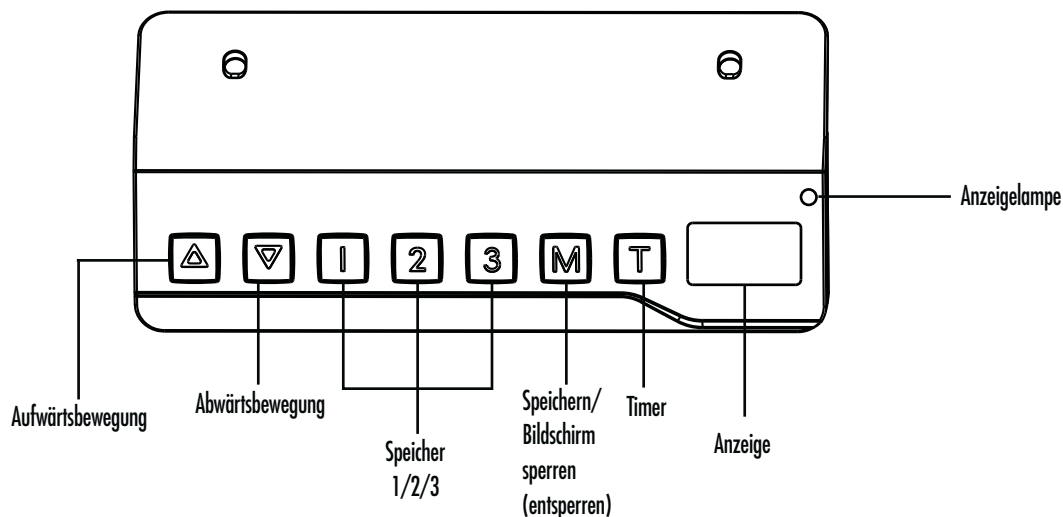


SCHRITT 5

- Unter jedem Fuß befinden sich zwei verstellbare Auflagen. Bei unebenem Boden die Höhe durch Drehen der Auflage so einstellen, dass der Tisch stabil steht.




Tipp: Um den Tisch auf Ebenheit zu prüfen, Wasserwaage verwenden.



1. ALLGEMEINER BETRIEB

Nach dem Einschalten des Systems ertönt ein Piepton und die aktuelle Tischhöhe wird an der Steuereinheit angezeigt.

 Aufwärtsbewegung
  Abwärtsbewegung

„“ oder „“ drücken und Taste erst loslassen, wenn der Tisch die gewünschte Höhe erreicht hat (wird an der Steuereinheit angezeigt). Wenn der Motor längere Zeit ununterbrochen läuft, wird der Überhitzungsschutz aktiviert. Die Steuereinheit funktioniert nach ca. 18 Minuten wieder normal.

ENERGIESPARMODUS - (10 MINUTEN)

Wird länger als 10 Minuten keine Aktion ausgeführt, wechselt das System in den Energiesparmodus. Durch Berühren einer beliebigen Taste schaltet das System in den Betriebsmodus.

2. EINSTELLUNG SPEICHERN

Um eine bestimmte Höhe in der Steuereinheit zu speichern, zuerst „M“ drücken. Der Buchstabe „S-“ wird angezeigt. Innerhalb von 5 Sekunden „1“, „2“, oder „3“ drücken, um die aktuelle Höhe zu speichern. Mit den Tasten „1“, „2“, oder „3“ kann jeweils eine andere Höhe gespeichert werden. Nach erfolgter Speicherung kann durch Drücken der entsprechenden Taste der Steuereinheit eine der 3 gespeicherten Höheneinstellungen gewählt werden, sodass der Tisch in die gewünschte Höhe fährt. Durch Drücken einer beliebigen Taste wird der Einstellvorgang abgebrochen.

3. BILDSCHIRM SPERREN/ENTSPERREN

Bildschirm sperren: 3 Sekunden „M“ drücken, worauf „-“- angezeigt wird. Der Bildschirm ist nun gesperrt und jeder Vorgang ist nicht funktionsfähig. Bildschirm entsperren: 3 Sekunden „M“ drücken, worauf die aktuelle Höhe angezeigt wird.

Hinweis: Bitte sicherstellen, dass die Funktion „Auto-Lock“ eingeschaltet (ON) ist. Siehe „TEIL 5 - Benutzerdefinierte Programmieranleitung“ und Bildschirmsperre ändern.

4. TIMER

Um den Timer einzustellen, „T“ drücken. Auf der Anzeige blinkt „0.5h“, was 0,5 Stunden bedeutet. Wiederholt „T“ drücken, um jeweils um 0,5 Stunden zu erhöhen. Die maximale Timer-Einstellung beträgt 2 Stunden. Die Zeiteinstellung ist abgeschlossen, wenn die angezeigte Zahl aufhört zu blinken und die LED in der oberen rechten Ecke der Steuereinheit leuchtet. Wenn der Timer die eingestellte Zeit erreicht hat, ertönt ein Signalton, der den Benutzer daran erinnert, seine Arbeitsposition anzupassen. Der Timer schaltet sich nach fünf Signaltonen automatisch aus. Sobald eine Timer-Einstellung abgelaufen ist, wird die Timer-Einstellung auf der Steuereinheit gelöscht. Um den Timer zu deaktivieren, fünfmal „T“ drücken, bis die aktuelle Höhe angezeigt wird und die LED oben rechts an der Steuereinheit aus ist.

5. ZWISCHEN ZENTIMETER UND ZOLL UMSCHALTEN

Auf der Anzeige werden standardmäßig Zentimeter angezeigt. Zum Umschalten auf Zoll 8 Sekunden lang „T“ drücken. Nach erfolgter Umschaltung gibt die Steuereinheit einen doppelten Piepton ab. Um wieder auf Zentimeter umzuschalten, „T“ 8 Sekunden lang drücken. Nach erfolgter Umschaltung auf Zentimeter gibt die Steuereinheit einen einmaligen Piepton ab.

6. STEUER-EINHEIT ZURÜCKSETZEN

Bei eingeschalteter Steuereinheit die Tasten "▲" und "▼" gleichzeitig drücken, bis ein Piepton ertönt. Der Tisch fährt in die unterste Position und hebt sich dann ein wenig. Tasten erst loslassen, wenn der Vorgang abgeschlossen ist.

7. FEHLERBEHEBUNG

Fehler Nr.	Bezeichnung	Lösung	Fehler Nr.	Bezeichnung	Lösung
E01/E07	Elektrisches Problem	30 Sekunden lang vom Stromnetz trennen und dann wieder anschließen	E16/E26	Motorausfall	System zurücksetzen
E02	Gewindestange defekt	System zurücksetzen	E17	Tisch fährt in die falsche Richtung	Motorkabel vertauschen (M1)
E04	Anschlussfehler der digitalen Steuereinheit	Anschluss überprüfen und erneut an Stromnetz anschließen	E18/E28	Gewichtsüberlastung	Gegenstände vom Tisch nehmen
E05	Antikollisionssystem	Taste loslassen	E21	Keine Verbindung	Verbindung überprüfen (M2)
E06	Elektrisches Problem	Steuerkasten ersetzen	E23	Motorkabel defekt	Motorkabel überprüfen und ersetzen (M2)
E08	Tisch neigt sich	System zurücksetzen	E24	Hall-Kabel defekt	Motorkabel überprüfen und ersetzen (M2)
E11	Keine Verbindung	Verbindung überprüfen (M1)	E25	Kurzschluss	Motor ersetzen (M2)
E12/E22	Anormaler Strom	Steuerkasten ersetzen	E27	Tisch fährt in die falsche Richtung	Motorkabel vertauschen (M2)
E13	Motorkabel defekt	Motorkabel überprüfen und ersetzen (M1)	E42	Speicherfehler	Steuerkasten ersetzen
E14	Hall-Kabel defekt	Motorkabel überprüfen und ersetzen (M1)	E43	Sensor des Antikollisionssystems defekt	Steuerkasten ersetzen
E15	Kurzschluss	Motor ersetzen (M1)			

Hinweis:

1. Selbstschutzfunktion: Die Steuereinheit wechselt in den Schutzmodus, wenn das System bei Anzeige von „HOT“ länger als zwei Minuten betrieben wird. Das System wird zurückgesetzt und kehrt nach ungefähr 20 Minuten in den Normalbetrieb zurück.
2. Überlastungsschutzmodus: Wenn während des Betriebs die Tragkraft des Tisches überschritten wird, wechselt das System in den Überlastungsschutzmodus. Dadurch wird das System vor Schäden durch Gewichtsüberlastung geschützt. In diesem Fall bewegt sich der Tisch ca. 30 mm abwärts und bleibt unter Anzeige der aktuellen Höhe stehen.
3. Achtung: AUF KEINEN FALL von der Spannungsversorgung trennen oder abschalten, um das Gerät zurückzusetzen, wenn es sich im Schutzmodus oder im „HOT“-Status befindet.

BENUTZERDEFINIERT EINSTELLUNGEN

Für alle unten aufgeführten benutzerdefinierten Einstellungen:

- „M“ und „T“ gleichzeitig 5 Sekunden lang drücken, bis die Steuereinheit einmal piept und „S-1“ angezeigt wird.
- Wird innerhalb von 10 Sekunden keine weitere Aktion ausgeführt, wird der Vorgang automatisch abgebrochen.
- Der Vorgang kann jederzeit manuell durch Drücken von „T“ abgebrochen werden.

Benutzerdefinierte Einstellung 1: Einstellung der Mindest- und Maximalhöhe

- Mindesthöhenbegrenzung: Während „S-1“ angezeigt wird, einmal „M“ und dann „▲“ oder „▼“ drücken, um die gewünschte Mindesthöhe einzustellen. Zum Speichern „M“ drücken: „L-S“ = Erfolgreich, „L-F“ = Erneut versuchen.
- Maximalhöhenbegrenzung: Während „S-1“ angezeigt wird, „▲“ bis „S-2“ drücken. Einmal „M“ und dann „▲“ oder „▼“ drücken, um die gewünschte Maximalhöhe einzustellen. Zum Speichern „M“ drücken: „H-S“ = Erfolgreich, „H-F“ = Erneut versuchen.
Hinweis: Die Standard-Mindesthöhe beträgt 62 cm (24,4 ") und der einstellbare Bereich 62-118 cm (24,4 " - 46,4 "). Die Standard-Maximalhöhe beträgt 128 cm (50,4 ") und der einstellbare Bereich beträgt 72 - 128 cm (28,3 " - 50,4 ").

Benutzerdefinierte Einstellung 2: Antikollisionsempfindlichkeit einstellen

- Aufwärts-Empfindlichkeit einstellen: Während „S-1“ angezeigt wird, „▲“ bis „S-3“ drücken. Einmal „M“ und dann „▲“ oder „▼“ drücken, um die Empfindlichkeitsstufe zu ändern. Die Standardempfindlichkeit ist 2 und der einstellbare Bereich ist 0 - 8 (0 = Aus, 8 = Max.). Zum Speichern „M“ drücken: „S-S“ = Erfolgreich, „S-F“ = Erneut versuchen.
- Abwärts-Empfindlichkeit einstellen: Während „S-1“ angezeigt wird, „▲“ bis „S-4“ drücken. Einmal „M“ und dann „▲“ oder „▼“ drücken, um die Empfindlichkeitsstufe zu ändern. Die Standardempfindlichkeit ist 2 und der einstellbare Bereich ist 0 - 8 (0 = Aus, 8 = Max.). Zum Speichern „M“ drücken: „S-S“ = Erfolgreich, „S-F“ = Erneut versuchen.

Benutzerdefinierte Einstellung 3: Tischneigungsempfindlichkeit einstellen

- Aufwärts-Empfindlichkeit einstellen: Während „S-1“ angezeigt wird, „▲“ bis „S-5“ drücken. Einmal „M“ und dann „▲“ oder „▼“ drücken, um die Empfindlichkeitsstufe zu ändern. Die Standardempfindlichkeit ist 2 und der einstellbare Bereich ist 0 - 8 (0 = Aus, 8 = Max.). Zum Speichern „M“ drücken: „S-S“ = Erfolgreich, „S-F“ = Erneut versuchen.

Benutzerdefinierte Einstellung 4: Einstellen, um die Höhe mit/ohne Tisch anzuzeigen

- Während „S-1“ angezeigt wird, „▲“ bis „S-6“ drücken. Einmal „M“ und dann „▲“ oder „▼“ drücken, um die Tischstärke einzugeben. Zum Speichern „M“ drücken: „T-S“ = Erfolgreich, „T-F“ = Erneut versuchen.

Benutzerdefinierte Einstellung 5: Anzeige automatisch sperren/entsperren

- Während „S-1“ angezeigt wird, „▲“ bis „S-7“ drücken. Einmal „M“ und dann „▲“ oder „▼“ drücken, um die automatische Sperre zu aktivieren (1) oder zu deaktivieren (0). Zum Speichern „M“ drücken: „A-S“ = Erfolgreich, „A-F“ = Erneut versuchen.

Um die benutzerdefinierten Einstellungen zurückzusetzen, „M“, „T“ und „▲“ gleichzeitig 5 Sekunden lang drücken, bis die Steuereinheit piept.

FELLOWES CAMBIO™ HÖHENVERSTELLBARES SCHREIBTISCHGESTELL - BESCHRÄNKTE GARANTIE

Fellowes, Inc. („Fellowes“) garantiert für den nachfolgend aufgeführten Zeitraum, dass das höhenverstellbare Schreibtischgestell Cambio™ („Produkt“) frei von Material- und Verarbeitungsfehlern ist.

Diese gilt für die Rahmenstruktur für einen Zeitraum von fünfzehn (15) Jahren ab Kaufdatum des Produkts.

Diese gilt für alle elektrischen Komponenten für einen Zeitraum von sieben (7) Jahren ab Kaufdatum des Produkts.

Diese Garantie gilt nur für den ersten Käufer. Ausgeschlossen von der Garantie sind Forderungen, die auf unsachgemäßen Gebrauch, die Missachtung von Installations- und Gebrauchsanweisungen, Nachlässigkeit, die Verwendung nicht zugelassener Zusatzgeräte, kommerzielle Nutzung, den Betrieb bei Strom- oder Spannungsbedingungen außerhalb der Spezifikation oder unerlaubte Wartung während des Garantiezeitraums, außerhalb der vorliegenden Garantiebedingungen, zurückzuführen sind.

DIE DAUER ETWAIGER STILLSCHWEIGENDER GARANTIE, UNTER ANDEREM DIE DER MARKTTAUGLICHKEIT ODER EIGNUNG FÜR EINEN BESTIMMTEN ZWECK, IST AUSDRÜCKLICH AUF DIE DAUER DER BEGRENZTEN GARANTIE BESCHRÄNKT.

SOWEIT GESETZLICH NICHT ANDERS VORGESCHRIEBEN, BESTEHT DIE EINZIGE ABHILFEMASSNAHME DES KUNDEN BEI EINTRETEN DES GARANTIEFALLS ODER BERÜCKSICHTIGUNG ANDERER STILLSCHWEIGENDER GARANTIE ODER VERPFLICHTUNGEN, DIE SICH GESETZLICH ODER ANDERWEITIG ERGEBEN, WIE IN DIESER GARANTIEERKLÄRUNG BESCHRIEBEN, MAXIMAL IN DER REPARATUR, IM ERSATZ ODER IN DER KAUFPREISERSTATTUNG, WOBEI DIE WAHL DER ABHILFE IM ALLEINGEN ERMESSEN DES UNTERNEHMENS LIEGT.

DAS UNTERNEHMEN, SEINE TOCHTERGESELLSCHAFTEN, NIEDERLASSUNGEN, ZUGEHÖRIGEN ENTITÄTEN, HÄNDLER ODER DEREN JEWEILIGE BEAUFTRAGTE, DIREKTOREN, MITARBEITER ODER DIE PERSONEN, FÜR DIE SIE GESETZLICH VERANTWORTLICH SIND, HAFTEN IN KEINEM FALL FÜR FOLGESCHÄDEN ODER BEILÄUFIGE SCHÄDEN, DIE SICH IM ZUSAMMENHANG MIT DEM PRODUKT ERGEBEN KÖNNTEN. DAS UNTERNEHMEN UND DIE GENANNTEN ANDEREN PARTEIEN ÜBERNEHMEN KEINE VERPFLICHTUNG ODER HAFTUNG AUSSERHALB DER HIERIN GEREGLTEN BESTIMMUNGEN, UND BERECHTIGEN AUCH KEINEN VERTRETER ODER SONSTIGE PERSONEN ZUR ÜBERNAHME EINER SOLCHEN VERPFLICHTUNG ODER HAFTUNG.

Dauer, Bedingungen und Konditionen dieser Garantie gelten weltweit, außer lokale Gesetze schreiben andere Begrenzungen, Einschränkungen oder Konditionen vor.

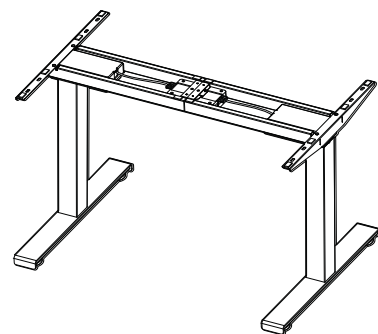
ISTRUZIONI DI SICUREZZA/AVVERTENZE

ATTENZIONE: IMPORTANTI ISTRUZIONI SULLA SICUREZZA – Leggere prima dell'uso!

- **AVVERTENZA: Rischio da sollevamento!** Per spostare la scrivania sono necessarie **due persone**. Pericolo di lesioni gravi.
- **NON SUPERARE LA PORTATA MASSIMA INDICATA. PERICOLO DI LESIONI GRAVI O DI DANNI MATERIALI.**
- Non utilizzare il tavolo se una delle sue parti è danneggiata o difettosa.
- Non collocare ostacoli lungo il percorso della scrivania.
- Non collocare sotto la scrivania oggetti di altezza superiore a 558 mm (22").
- La scrivania deve essere collocata a una distanza adeguata dalle pareti e dagli oggetti circostanti su tutti i lati (almeno 25 mm / 1").
- Non sedersi o salire sulla scrivania.
- Non smontare le gambe, la centralina o i comandi. Si potrebbero causare lesioni gravi.
- Accertarsi che tutti i cavi abbiano una lunghezza sufficiente per adattarsi alle variazioni dell'altezza e seguire le istruzioni riportate nel manuale in merito al loro posizionamento. La mancata osservanza di queste istruzioni può causare danni all'attrezzatura o lesioni personali.
- Tenere le sostanze liquide lontane dai componenti elettrici, pulendoli solo con un panno asciutto.
- Solo per l'uso in locali chiusi.
- Tenere il cavo di alimentazione lontano da fonti di calore.
- Prima di spostare o eseguire la manutenzione della scrivania, scollegarla dalla presa di corrente.
- Rimuovere tutta l'attrezzatura e gli accessori dalla scrivania prima di spostarla.
- Tenere i bambini lontani da parti in movimento e impedire che vadano sotto la scrivania.

Peso massimo incluso il piano del tavolo

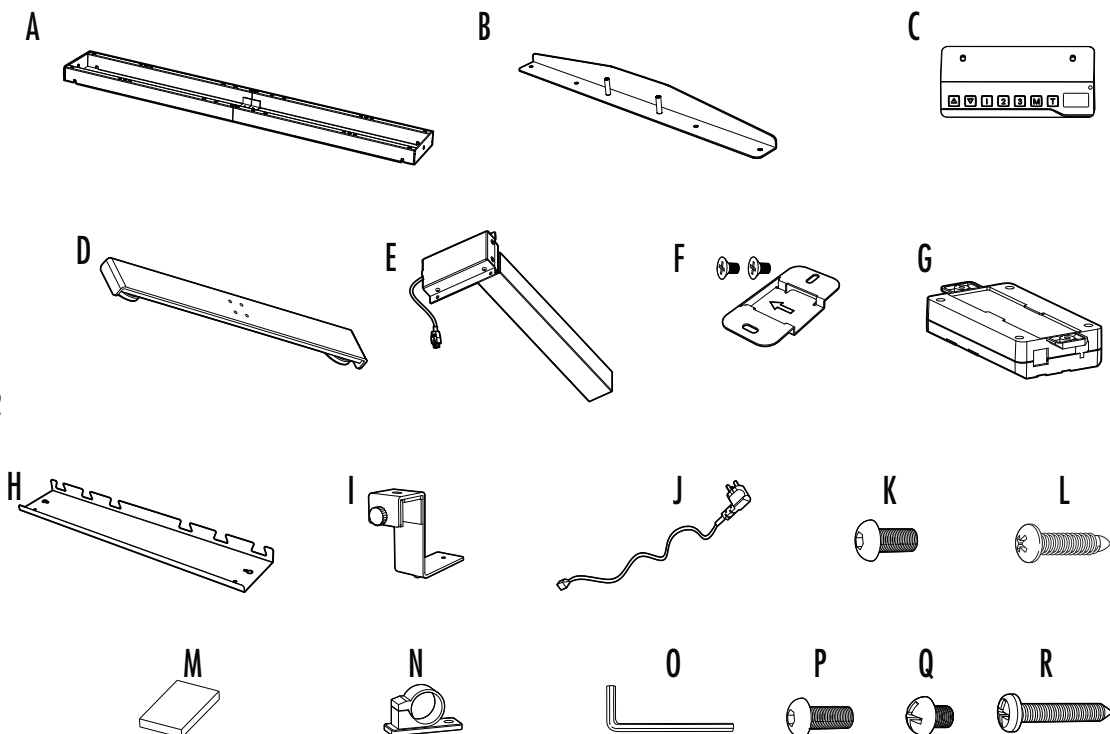
≤ 100 kg
≤ 220 libbre



Dati tecnici	
Tensione	100-240 V
Frequenza	50/60 HZ
Corrente (ampere)	5 ampere
Potenza	200 watt

COMPONENTI INCLUSI (Nota: potrebbe essere incluso hardware aggiuntivo)

- A Traversa x1
- B Staffa laterale x2
- C Dispositivo di comando x1
- D Piede x2
- E Colonna di sollevamento x2
- F Piastra di fissaggio x1
+ Vite impronta Phillips x2
- G Centralina x1
- H Supporto ordinacavi x1
- I Gancio x2
- J Cavo di alimentazione
- K Vite a testa esagonale M6x10 x8
- L Vite a testa rotonda Phillips M6 x12
- M Cuscinetto anti-vibrazione x12
- N Clip per cavo x3
- O Chiave a brugola 5 mm x1
- P Vite a testa esagonale M6x16 x8
- Q Vite impronta Phillips M3 x4
- R Vite impronta Phillips x2



Altri utensili necessari
Cacciavite a stella
Trapano avvitatore elettrico

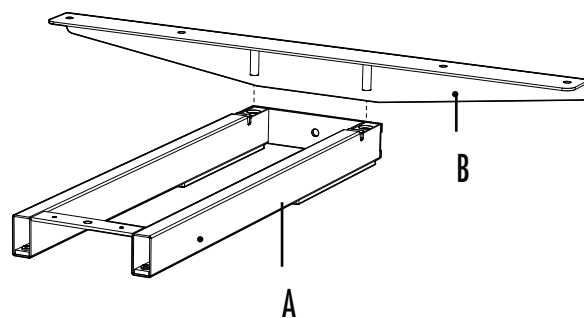
MONTAGGIO DELLA BASE

FASE 1

Montaggio delle staffe laterali

- Capovolgere il piano del tavolo su una superficie morbida e pulita.
- Disimballare la traversa e posarla con cura sul pavimento.
- Applicare la staffa laterale all'estremità della traversa.
- Ripetere la stessa procedura per montare l'altra staffa laterale.

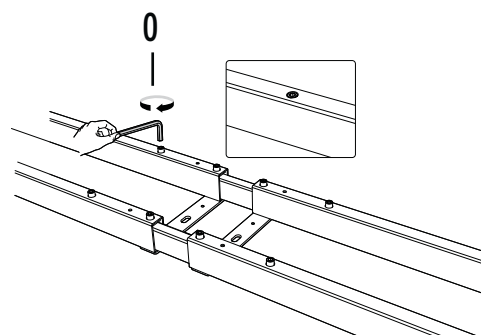
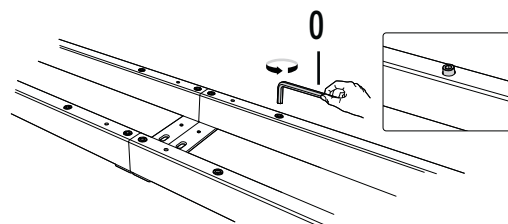
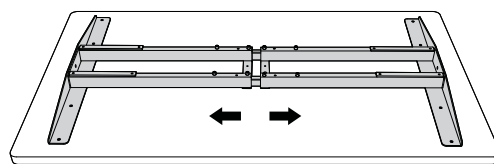
*NB: Assicurarsi che la traversa e le staffe laterali rimangano rivolte verso l'alto durante l'installazione.



FASE 2

Regolare la posizione del telaio prima di fissarlo al tavolo

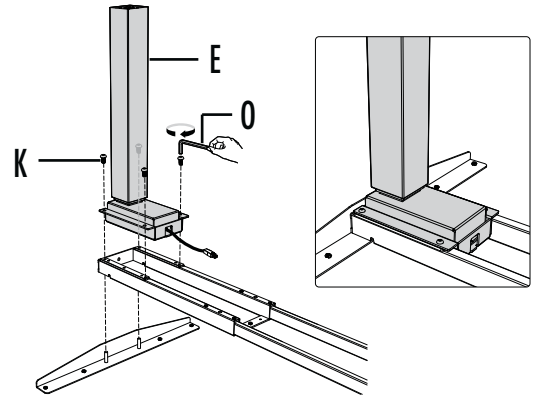
- Regolare i canali trasversali alla lunghezza massima e minima.
- Con la chiave a brugola da 5 mm, svitare le viti di fissaggio (8) sul lato interno dei canali trasversali.
- Verificare che i supporti del piano su ciascun lato siano allineati con i fori preforati sul telaio.
- Quando la regolazione è corretta, utilizzare la chiave a brugola da 5 mm per stringere nuovamente le viti di fissaggio (8 in totale).



FASE 3

Montare le colonne di sollevamento

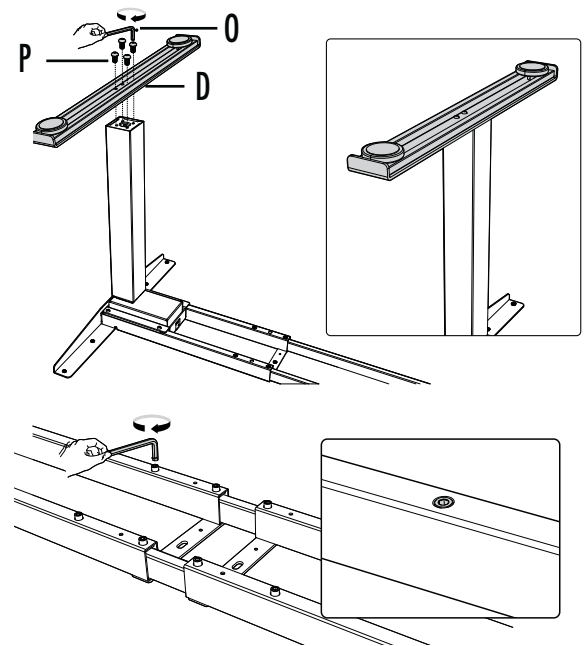
- Rimuovere il piano di lavoro per procedere all'installazione.
- Inserire le due colonne di sollevamento nelle due estremità della traversa, con le teste delle colonne di sollevamento rivolte verso l'interno. I fori di montaggio sulle colonne di sollevamento devono essere perfettamente allineati con i fori delle viti sulla traversa.
- Fissare la colonna di sollevamento e la staffa laterale alla traversa con 4 viti a testa esagonale **M6x10** utilizzando la chiave a brugola.
- Ripetere la stessa procedura per montare l'altra colonna di sollevamento.



FASE 4

Montare i piedi

- Posizionare il piede sul fondo della colonna di sollevamento. Allineare i fori di montaggio sul piede con i fori delle viti sulla colonna di sollevamento.
- Fissare il piede con 4 viti a testa esagonale **M6x16** utilizzando la chiave a brugola.
- Ripetere la stessa procedura per montare l'altro piede.
- Stringere nuovamente tutte le viti a testa esagonale per completare il montaggio.

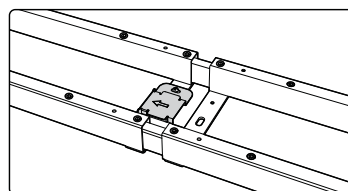
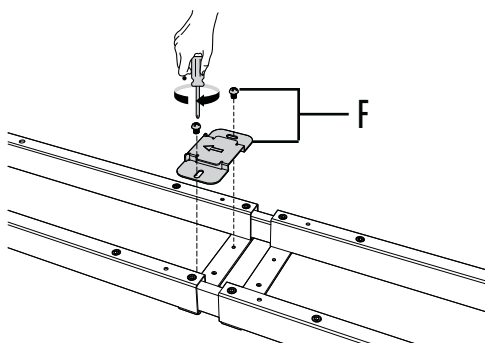


FASE 5

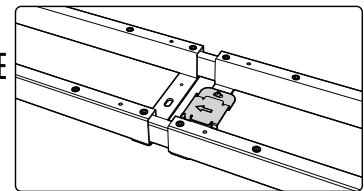
Montare la piastra di fissaggio

- Allineare i fori di montaggio sulla piastra di fissaggio con i fori delle viti, come mostrato nella figura.
- Applicare la piastra di fissaggio al centro della traversa con 2 viti impronta Phillips, utilizzando un cacciavite a stella. La piastra di fissaggio può essere applicata sul lato destro o sinistro.

*NB: La freccia sulla piastra di fissaggio indica la direzione di scorrimento della centralina. Seguire la direzione della freccia per montare la centralina nella fase successiva.



OPPURE



FASE 6

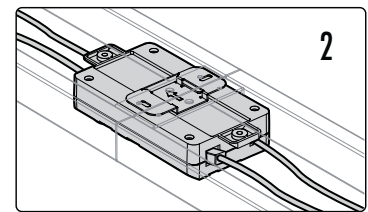
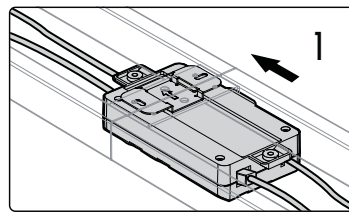
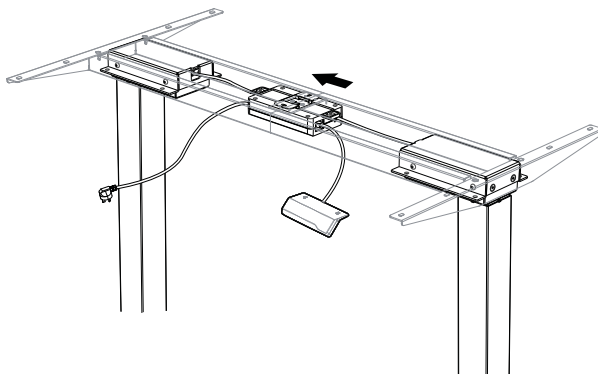
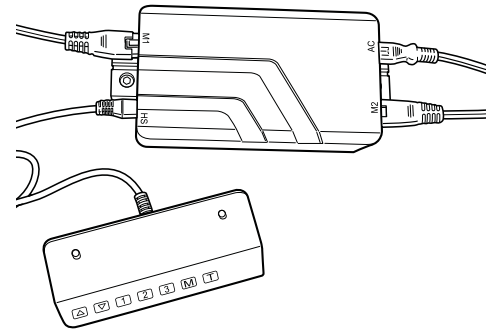
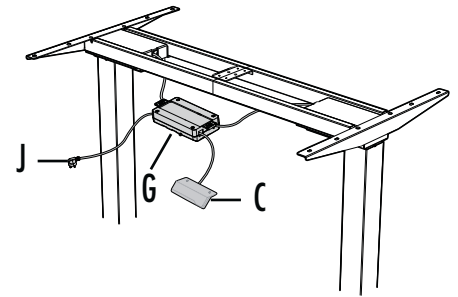
Cavi di collegamento

Capovolgere il telaio della scrivania con la traversa rivolta verso l'alto. Per capovolgere il telaio della scrivania sono necessarie **almeno due persone**.

⚠ AVVERTENZA Se il telaio della scrivania viene capovolto da una sola persona, sono possibili gravi lesioni fisiche.

- Collegare i due cavi del motore alle due porte su ciascun lato della centralina con l'indicazione "M1" e "M2".
- Collegare il cavo del dispositivo di comando alla porta contrassegnata con "HS".
- Introdurre il cavo di alimentazione nella porta contrassegnata con "AC".
- Allineare la piastra di fissaggio con l'estremità destra dello slot della centralina. Far scorrere la centralina nella piastra di fissaggio da sinistra finché non è più possibile muoverla.

*NB: Assicurarsi che lo slot sulla centralina sia rivolto verso l'alto. Non c'è relazione di corrispondenza tra le due porte del motore e le due colonne di sollevamento.

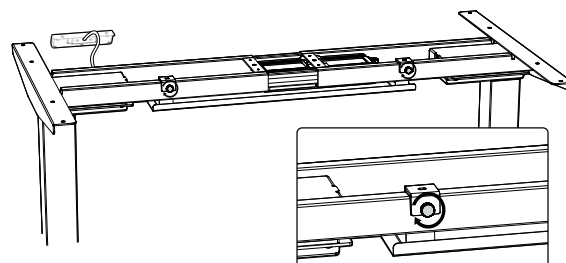
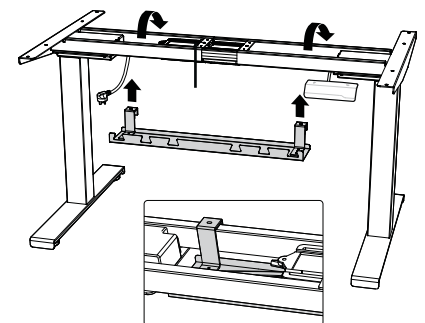
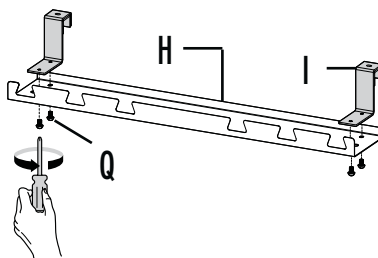


**NB: L'immagine del dispositivo di comando è intesa solo come riferimento. Il prodotto reale può variare.

MONTAGGIO DEGLI ACCESSORI - SUPPORTO ORDINACAVI

Supporto ordinacavi

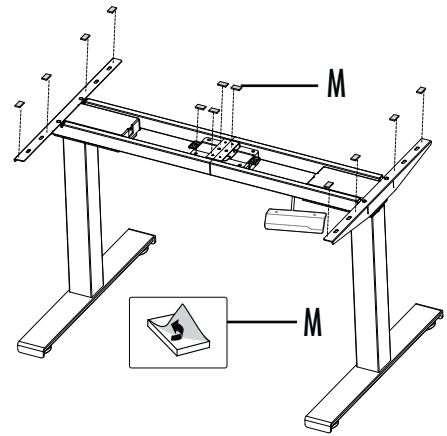
- Allineare i fori di montaggio sui ganci del supporto con i fori delle viti sul supporto ordinacavi. Montare i ganci del supporto con 4 viti impronta Phillips dal basso utilizzando un cacciavite a stella.
- Agganciare il supporto ordinacavi alla traversa.
- Stringere le manopole sui ganci del supporto.



MONTARE IL PIANO DI LAVORO

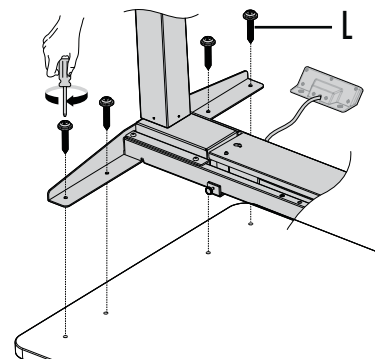
FASE 1

- Applicare i cuscinetti anti-vibrazione alla superficie della traversa nelle 12 posizioni come mostrato nella figura.



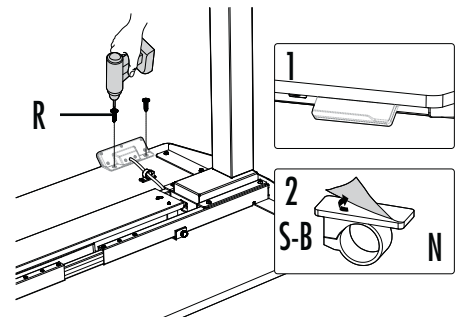
FASE 2

- Allineare i fori preforati delle viti con i fori di montaggio sulla traversa. Inserire e stringere le 4 viti impronta Phillips.
- Ripetere la stessa procedura per stringere l'altro lato del piano di lavoro.



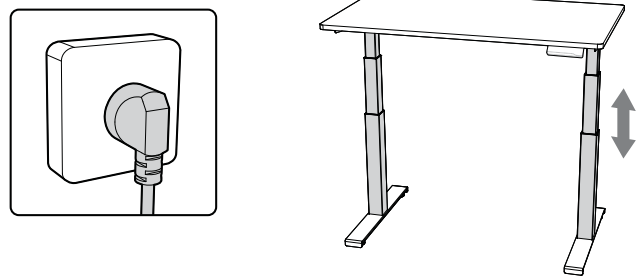
FASE 3

- Applicare il dispositivo di comando al piano di lavoro con 2 viti a testa Phillips utilizzando un trapano avvitatore.
- Applicare sotto la scrivania le clip adesive per tenere in ordine i cavi.



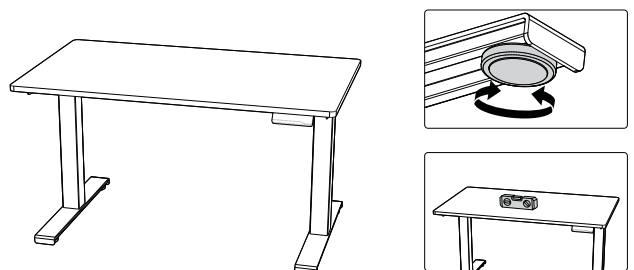
FASE 4

- Collegare il cavo di alimentazione al dispositivo di comando e a una presa di corrente.

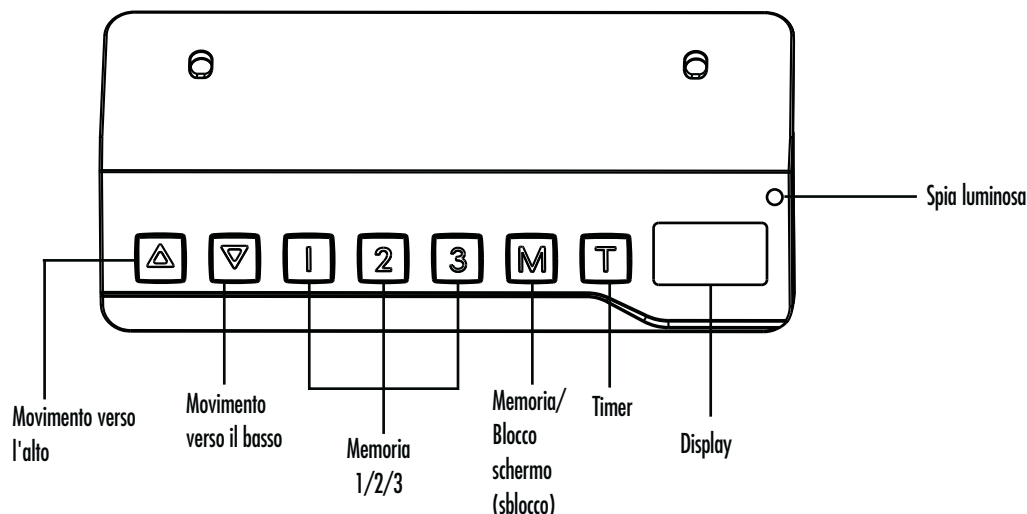


FASE 5

- Sotto ciascun piede c'è uno spessore regolabile. Se il pavimento non è uniforme, ruotare lo spessore per regolare l'altezza e stabilizzare la scrivania.



Suggerimento: verificare se il piano di lavoro è a livello utilizzando una bolla.



1. FUNZIONAMENTO GENERALE

Quando il sistema è acceso viene emesso un segnale acustico e sul dispositivo di comando appare l'altezza corrente del piano di lavoro.

Movimento verso l'alto Movimento verso il basso

Premere "▲" o "▼" e non rilasciare finché la scrivania non raggiunge l'altezza desiderata (visualizzata sul dispositivo di comando). Se il motore funziona continuamente per un periodo di tempo relativamente lungo, si attiva la protezione anti-surriscaldamento. Il dispositivo di controllo riprenderà a funzionare normalmente dopo circa 18 minuti.

MODALITÀ RISPARMIO ENERGETICO - (10 MINUTI)

Quando non vengono eseguite operazioni per più di 10 minuti, il sistema entra in modalità risparmio energetico. Per accedere alla modalità operativa basta toccare un pulsante qualsiasi.

2. MEMORIZZAZIONE

Per memorizzare una certa altezza nel dispositivo di comando, prima premere "M". Apparirà la lettera "S-". Premere quindi "1", "2" o "3" entro 5 secondi per memorizzare l'altezza corrente. È possibile memorizzare altezze diverse rispettivamente con "1", "2" o "3". Dopo la memorizzazione è possibile selezionare una delle 3 altezze impostate nella memoria del dispositivo di comando premendo il pulsante corrispondente fino a ottenere l'altezza impostata. Per annullare la regolazione, premere qualsiasi pulsante.

3. BLOCCO E SBLOCCO DELLO SCHERMO

Per bloccare lo schermo tenere premuto "M" per 3 secondi: sul display apparirà "---". Lo schermo è stato bloccato e qualsiasi operazione non verrà accettata. Per sbloccare lo schermo tenere premuto "M" per 3 secondi: sul display apparirà l'altezza corrente.

NB: Assicurarsi che la funzione di blocco automatico sia attiva (ON). Seguire "PARTE 5 - Guida alla programmazione personalizzata" e modificare il blocco dello schermo.

4. TIMER

Per impostare il timer premere "T". Sul display lampeggerà l'indicazione "0.5h", che significa "mezz'ora". Premere ripetutamente "T" per aumentare di mezz'ora alla volta. È possibile impostare il timer su un massimo di 2 ore. Il tempo è impostato quando la cifra smette di lampeggiare e la spia nell'angolo in alto a destra del dispositivo è accesa. Quando il timer ha raggiunto il tempo impostato, viene emesso un segnale acustico per ricordare all'utente di variare la sua posizione di lavoro. Il timer si spegne automaticamente dopo cinque segnali acustici. Scaduto il tempo impostato, il timer del dispositivo viene annullato. Per disattivare il timer, premere il tasto "T" cinque volte finché sul display appare l'altezza corrente e la spia nell'angolo in alto a destra del dispositivo di comando è spenta.

5. VARIARE TRA CM E POLLICI

L'unità di misura preimpostata visualizzata sul display è cm. Se si desidera passare da centimetri a pollici, premere "T" per 8 secondi. Dopo due segnali acustici l'unità di misura viene correttamente ripristinata. Se si desidera passare da pollici a centimetri, premere "T" per 8 secondi. Dopo un segnale acustico il sistema torna a cm.

6. RESETTARE IL DISPOSITIVO DI COMANDO

Con il dispositivo di comando acceso, tenere premuti contemporaneamente i tasti "▲" e "▼" fino a quando viene emesso un segnale acustico. Il piano si porterà nella posizione più bassa, quindi si solleverà leggermente. Non rilasciare i pulsanti fino al termine della procedura.

7. RISOLUZIONE DEI PROBLEMI

Numero di errore	Descrizione	Soluzione	Numero di errore	Descrizione	Soluzione
E01/E07	Problema elettrico	Scollegare l'alimentazione per 30 secondi, quindi ricollegarla	E16/E26	Malfunzionamento del motore	Ripristinare il sistema
E02	Errore del cilindro filettato	Ripristinare il sistema	E17	Il piano si muove nella direzione errata	Sostituire il cavo motore (M1)
E04	Errore di connessione del dispositivo di comando digitale	Controllare la connessione, quindi ricollegare l'alimentazione	E18/E28	Sovraccarico di peso	Eliminare oggetti dal piano di lavoro
E05	Sistema di prevenzione delle collisioni	Rilasciare il pulsante	E21	Connessione assente	Verificare la connessione (M2)
E06	Problema elettrico	Sostituire la centralina	E23	Cavo motore rotto	Controllare e quindi sostituire il cavo motore (M2)
E08	Pendenza del piano di lavoro	Ripristinare il sistema	E24	Cavo di hall rotto	Controllare e quindi sostituire il cavo motore (M2)
E11	Connessione assente	Verificare la connessione (M1)	E25	Corto circuito	Sostituire il motore (M2)
E12/E22	Corrente anomala	Sostituire la centralina	E27	Il piano si muove nella direzione errata	Sostituire il cavo motore (M2)
E13	Cavo motore rotto	Controllare e quindi sostituire il cavo motore (M1)	E42	Errore della funzione di memorizzazione	Sostituire la centralina
E14	Cavo di hall rotto	Controllare e quindi sostituire il cavo motore (M1)	E43	Errore del sensore del sistema di prevenzione delle collisioni	Sostituire la centralina
E15	Corto circuito	Sostituire il motore (M1)			

Nota:

1. Funzione di auto-protezione: l'unità entrerà in modalità di protezione se il sistema funziona per più di due minuti in presenza della scritta "HOT" sul display. Il sistema si resetterà e tornerà al normale funzionamento dopo circa 20 minuti.
2. Modalità di protezione dal sovraccarico di peso: se durante il funzionamento il carico sulla scrivania supera la capacità massima consentita, il sistema entra in modalità di protezione dal sovraccarico di peso. Questa modalità salvaguarda il sistema dai danni causati dal peso eccessivo. La scrivania si abbasserà di circa 30 mm e si fermerà all'altezza corrente visualizzata.
3. Attenzione: non rimuovere né spegnere MAI l'alimentazione per ripristinare l'unità quando è in modalità protezione o "HOT".

IMPOSTAZIONI PERSONALIZZATE

Per tutte le seguenti impostazioni personalizzate:

- Tenere premuti "M" e "T" contemporaneamente per 5 secondi fino a quando viene emesso un segnale acustico e sul display appare la scritta "S-1".
- Se non si effettuano altre operazioni entro 10 secondi, la procedura viene automaticamente annullata.
- È possibile annullare la procedura manualmente premendo "T" in qualsiasi momento.

Impostazione personalizzata 1: Impostazioni altezza minima e massima

- Limite altezza minima: Quando sul display è visualizzata la scritta "S-1", premere "M" una volta, quindi premere "▲" o "▼" per impostare l'altezza minima desiderata. Premere "M" per salvare: "L-S" = Riuscito, "L-F" = Riprovare.
- Limite altezza massima: Quando sul display è visualizzata la scritta "S-1", premere "▲" fino a "S-2". Premere "M" una volta, quindi premere "▲" o "▼" per impostare l'altezza massima desiderata. Premere "M" per salvare: "H-S" = Riuscito, "H-F" = Riprovare.

NB: L'altezza minima predefinita è 62 cm (24,4") e l'intervallo di regolazione è 62-118 cm (24,4" - 46,4"). L'altezza massima predefinita è 128 cm (50,4") e l'intervallo di regolazione è 72-128 cm (28,3" - 50,4").

Impostazione personalizzata 2: Regolare la sensibilità anticollisione

- Regolare la sensibilità verso l'alto: Quando sul display è visualizzata la scritta "S-1", premere "▲" fino a "S-3". Premere "M" una volta, quindi premere "▲" o "▼" per modificare il livello di sensibilità. La sensibilità predefinita è 2 e l'intervallo di regolazione è 0-8 (0 = nessuno; 8 = massimo). Premere "M" per salvare: "S-S" = Riuscito, "S-F" = Riprovare.
- Regolare la sensibilità verso il basso: Quando sul display è visualizzata la scritta "S-1", premere "▲" fino a "S-4". Premere "M" una volta, quindi premere "▲" o "▼" per modificare il livello di sensibilità. La sensibilità predefinita è 2 e l'intervallo di regolazione è 0-8 (0 = nessuno; 8 = massimo). Premere "M" per salvare: "S-S" = Riuscito, "S-F" = Riprovare.

Impostazione personalizzata 3: Regolare la sensibilità dell'inclinazione del piano di lavoro

- Regolare la sensibilità verso l'alto: Quando sul display è visualizzata la scritta "S-1", premere "▲" fino a "S-5". Premere "M" una volta, quindi premere "▲" o "▼" per modificare il livello di sensibilità. La sensibilità predefinita è 2 e l'intervallo di regolazione è 0-8 (0 = nessuno; 8 = massimo). Premere "M" per salvare: "S-S" = Riuscito, "S-F" = Riprovare.

Impostazione personalizzata 4: Regolare per visualizzare l'altezza con/senza piano di lavoro

- Quando sul display è visualizzata la scritta "S-1", premere "▲" fino a "S-6". Premere "M" una volta e poi premere "▲" o "▼" per inserire lo spessore del piano di lavoro. Premere "M" per salvare: "T-S" = Riuscito, "T-F" = Riprovare.

Impostazione personalizzata 5: Blocco e sblocco automatico del display

- Quando sul display è visualizzata la scritta "S-1", premere "▲" fino a "S-7". Premere "M" una volta, quindi premere "▲" o "▼" per attivare il blocco automatico (1) o per disattivarlo (0). Premere "M" per salvare: "A-S" = Riuscito, "A-F" = Riprovare.

Per ripristinare le impostazioni personalizzate tenere premuti "M", "T" e "▲" contemporaneamente per 5 secondi fino a quando il dispositivo emette un segnale acustico.

GARANZIA LIMITATA DELLA BASE PER SCRIVANIA AD ALTEZZA REGOLABILE FELLOWES CAMBIO™

Fellowes, Inc. (l'"Azienda") garantisce che la base per scrivania ad altezza regolabile Cambio™ (il "Prodotto") è priva di difetti di materiale e di fabbricazione per il periodo di tempo di seguito stabilito.

Il telaio strutturale per un periodo di quindici (15) anni a decorrere dalla data di acquisto originale del Prodotto.

Tutti i componenti elettrici per un periodo di sette (7) anni a decorrere dalla data di acquisto originale del Prodotto.

La presente garanzia si applica esclusivamente all'acquirente originario e non copre le richieste per danni causati da un uso non corretto, inosservanza delle istruzioni di installazione e utilizzo, trascuratezza, utilizzo di accessori non autorizzati, uso commerciale, utilizzo con tensione o corrente diversa da quella specificata sul prodotto o manutenzione non autorizzata durante il periodo di garanzia, in condizioni altrimenti coperte dalla garanzia.

LA DURATA DELLE GARANZIE IMPLICITE, INCLUSE MA NON LIMITATE A GARANZIE IMPLICITE DI COMMERCIALITÀ O IDONEITÀ PER UNO SCOPO PARTICOLARE, È ESPRESSAMENTE LIMITATA ALLA DURATA DELLA PRESENTE GARANZIA LIMITATA.

SALVO DISPOSIZIONI DELLA LEGGE IN VIGORE, L'UNICO RIMEDIO PER IL CLIENTE, IN CASO DI VIOLAZIONE DI QUESTA GARANZIA O DI ALTRE GARANZIE IMPLICITE O DI ALTRI OBBLIGHI DERIVANTI A NORMA DI LEGGE O IN ALTRO MODO, SARÀ LIMITATO COME QUI SPECIFICATO ALLA RIPARAZIONE, SOSTITUZIONE O RIMBORSO DEL PREZZO DI ACQUISTO, AD ESCLUSIVA DISCREZIONE DELL'AZIENDA.

IN NESSUN CASO L'AZIENDA, LE SUE AZIENDE AFFILIATE, FILIALI, ENTITÀ CORRELATE, RIVENDITORI O I RISPETTIVI COLLABORATORI, DIRETTORI O DIPENDENTI O LE PERSONE PER LE QUALI SONO RESPONSABILI PER LEGGE, POTRANNO ESSERE RITENUTI RESPONSABILI DI QUALSIASI DANNO CONSEGUENZIALE O ACCIDENTALE SUBITO IN RELAZIONE AL PRODOTTO. L'AZIENDA E LE ALTRE PARTI NON SI ASSUMONO O AUTORIZZANO RAPPRESENTANTI O ALTRE PERSONE AD ASSUMERSI PER NESSUNO DI LORO OBBLIGHI O RESPONSABILITÀ DIVERSE DA QUANTO ESPRESSAMENTE INDICATO NEL PRESENTE DOCUMENTO.

La durata, i termini e le condizioni della presente garanzia sono validi a livello mondiale, ad eccezione dei luoghi in cui, in base alla legislazione vigente, siano previste limitazioni, restrizioni o condizioni diverse.

VEILIGHEIDSISTRUCTIES / WAARSCHUWINGEN:

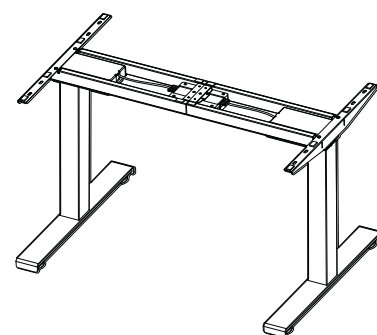
WAARSCHUWING: BELANGRIJKE VEILIGHEIDSISTRUCTIES – Lezen voor gebruik!

- **WAARSCHUWING:** Hijsrisico! Er zijn twee personen nodig om het bureau te verplaatsen. Er kan ernstig letsel ontstaan.
- **ZORG ERVOOR DAT HET MAXIMUMGEWICHT NIET WORDT OVERSCHREDEN. OVERSCHRIJDING KAN ERNSTIG LETSEL OF SCHADE AAN EIGENDOMMEN TOT GEVOLG HEBBEN.**
- Gebruik het bureaublad niet als enig deel beschadigd of defect is.
- Plaats geen obstakels in het pad van het bureau.
- Plaats geen voorwerpen onder het bureau die hoger zijn dan 558 mm (22").
- Zorg ervoor dat het bureau aan alle kanten voldoende afstand heeft (minstens 25 mm/1") van omringende muren en objecten.
- Ga niet op het bureau zitten of staan.
- Haal de poten, bedieningskast of controller niet uit elkaar. Er kan ernstig letsel ontstaan.
- Zorg ervoor dat alle kabellengtes lang genoeg zijn om alle hoogteveranderingen uit te voeren en houd u aan de instructies voor kabelgeleiding in deze handleiding. Het niet opvolgen van deze instructies kan schade aan de apparatuur of persoonlijk letsel tot gevolg hebben.
- Houd vloeistoffen uit de buurt van de elektrische onderdelen. Reinig de elektrische onderdelen uitsluitend met een droge doek.
- Alleen voor gebruik binnenshuis.
- Houd de stroomkabel uit de buurt van hittebronnen.
- Haal de stekker van het bureau uit het stopcontact voordat u deze verplaatst of onderhoudt.
- Verwijder alle apparatuur en toebehoren van het bureau alvorens het te verplaatsen.
- Houd kinderen uit de buurt van bewegende onderdelen en laat ze niet onder het bureau komen.

Maximumbelasting inclusief bureaublad

≤ 100 kg

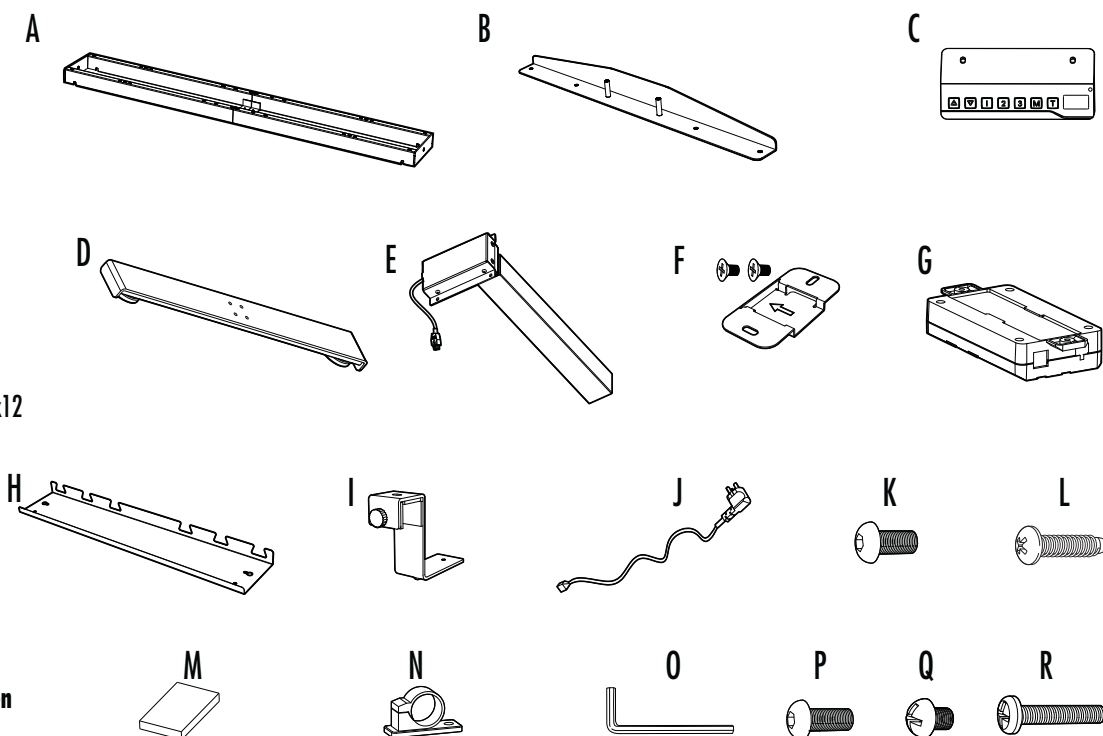
≤ 220 lbs



Technische gegevens	
Spanning	100-240 V
Frequentie	50/60 HZ
Stroomsterkte (Ampère)	5 Ampère
Wattage	200 Watt

GELEVERDE ONDERDELEN (Opmerking: mogelijk is extra bevestigingsmateriaal inbegrepen)

- A Dwarsbalk x1
- B Zijbeugel x2
- C Handset x1
- D Voetstuk x2
- E Hefkolom x2
- F Bevestigingsplaat x1
+ Kruiskopschroef x2
- G Bedieningskast x1
- H Kabelgoot x1
- I Haak x2
- J Stroomkabel
- K M6x10 Zeskantbout x8
- L M6 Phillips-schroef met ronde kop x12
- M Antivibratiepad x12
- N Kabelklem x3
- O 5 mm Inbussleutel x1
- P M6x16 Zeskantbout x8
- Q M3 Kruiskopschroef x4
- R Kruiskopschroef x2



Verder benodigde gereedschappen

Phillips-schroevendraaier

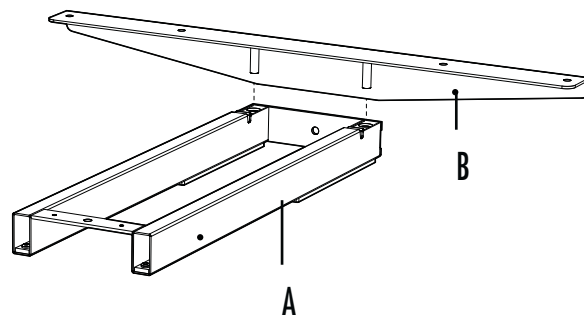
Boormachine

STAP 1

De zijbeugels bevestigen

- Plaats het bureaublad op een zachte, schone ondergrond.
- Pak de dwarsbalk uit en plaats deze voorzichtig op de grond.
- Bevestig de zijsteun aan het uiteinde van de dwarsbalk.
- Herhaal dit om de andere zijbeugel te monteren.

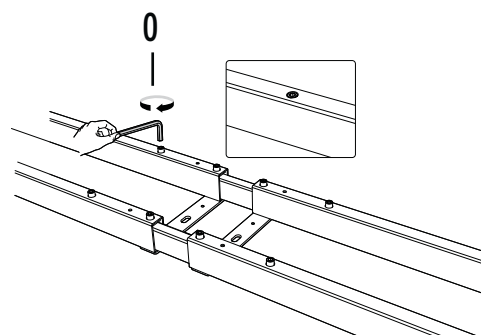
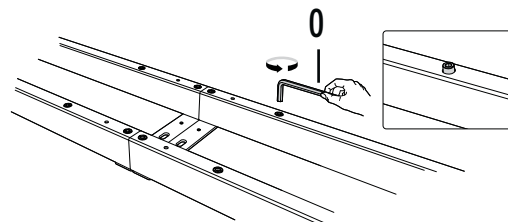
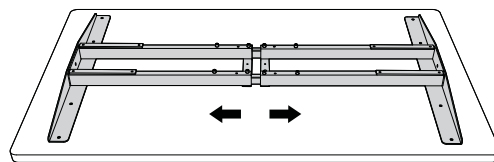
*Opmerking: zorg ervoor dat de dwarsbalk en zijbeugels opwaarts gericht blijven tijdens de installatie.



STAP 2

Pas de positie van het frame aan voordat u dit aan het bureaublad bevestigt

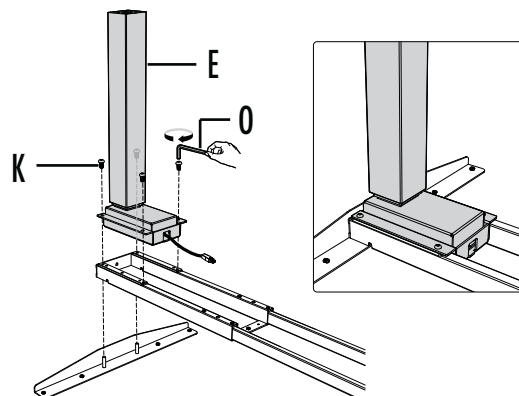
- Pas de dwarsverbindingen aan op de finale lengtes.
- Gebruik de 5 mm-inbussleutel om de (8) stelschroeven aan de binnenzijde van de dwarsverbinding los te maken.
- Controleer of de bovenste steunen aan elke kant zijn uitgelijnd met de voorgeboorde gaten in het frame.
- Zodra deze correct zijn afgesteld, gebruikt u de 5 mm-inbussleutel om de stelschroeven weer vast te zetten (8 in totaal).



STAP 3

De hefkolommen monteren

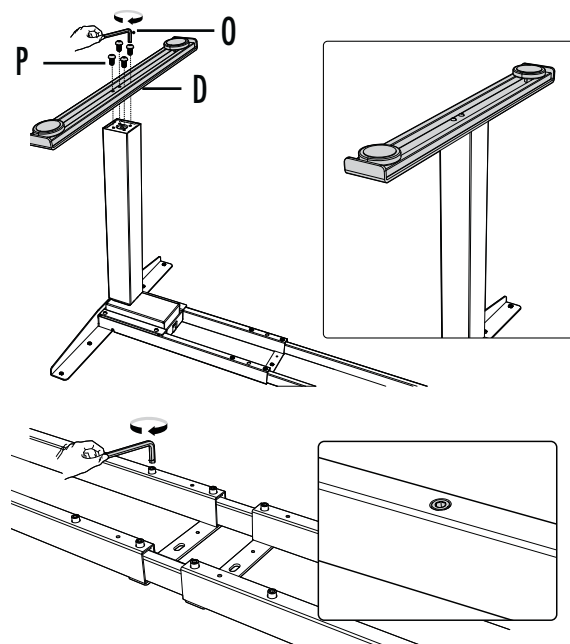
- Verwijder het bureaublad voor verdere installatie.
- Steek de twee hefkolommen in de twee uiteinden van de dwarsbalk met de kop van de hefkolommen naar binnen gericht. Zorg ervoor dat de montagegaten in de hefkolommen volledig zijn uitgelijnd met de schroefgaten in de dwarsbalk.
- Bevestig de hefkolom en de zijbeugel met de dwarsbalk middels 4 **M6x10** zeskantschroeven met behulp van de inbusleutel.
- Herhaal dit nogmaals om de andere hefkolom te monteren.



STAP 4

Stelvoeten monteren

- Plaats de voet op de basis van de hefkolom. Lijn de montagegaten op de voet uit met de schroefgaten in de hefkolom.
- Bevestig de voet middels 4 **M6x16** zeskantbouten met behulp van de inbusleutel.
- Herhaal dit om de andere voet te monteren.
- Draai alle zeskantbouten weer vast om de afstelling te voltooien.

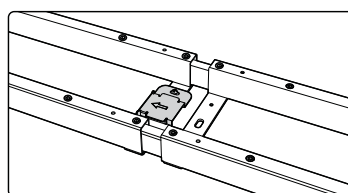
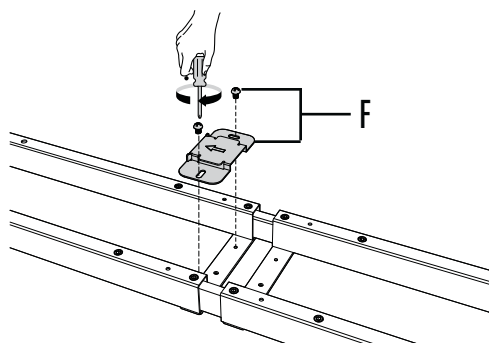


STAP 5

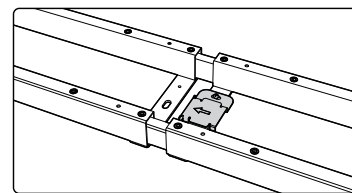
Monteer de bevestigingsplaat

- Lijn de montagegaten uit op de bevestigingsplaat met de schroefgaten zoals afgebeeld.
- Bevestig de bevestigingsplaat met 2 kopschroeven op het midden van de dwarsbalk met een kruiskopschroevendraaier. De bevestigingsplaat kan aan de rechter- of linkerkant worden bevestigd.

*Opmerking: De pijl op de bevestigingsplaat geeft de schuifrichting van de bedieningskast aan. Volg de richting van de pijl om de bedieningskast te monteren in de volgende stap.



OF



STAP 6

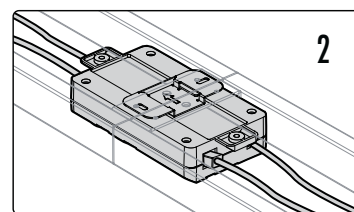
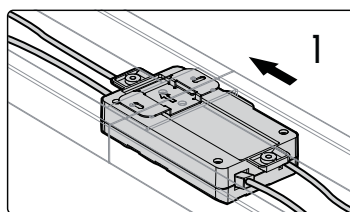
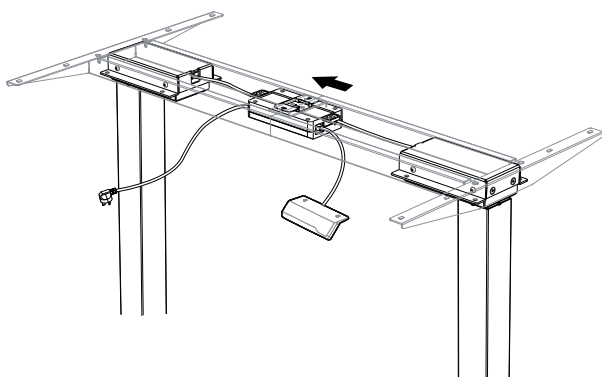
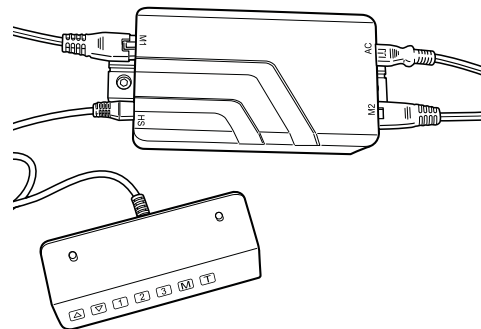
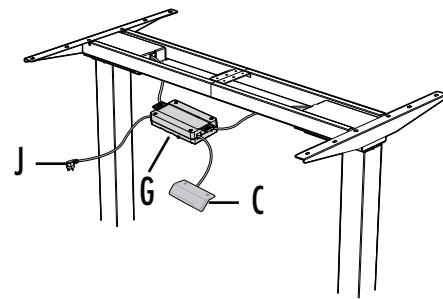
Snoeren aansluiten

Draai het bureauframe om, met de dwarsbalk naar boven gericht. **Tenminste twee personen** zijn nodig voor het omkeren van het bureauframe.

⚠ WAARSCHUWING Als het bureauframe door slechts een persoon wordt omgedraaid, kan ernstige lichamelijke letsel ontstaan.

- Sluit de twee motorkabels aan in de twee poorten aan beide zijden van de bedieningskast die met "M1" en "M2" zijn gemarkeerd.
- Sluit de bedieningskabel aan op de poort die met "HS" gemarkeerd is.
- Breng de stroomkabel aan in de poort die met "AC" gemarkeerd is.
- Lijn de bevestigingsplaat uit met het rechteruiteinde van de sleuf van de bedieningskast. Schuif de bedieningskast vanaf de linkerzijde in de bevestigingsplaat tot de bedieningskast niet meer verder kan worden verplaatst.

*Opmerking: Zorg ervoor dat de sleuf op de bedieningskast naar boven is gericht. Er is geen overeenkomstig verband tussen de twee motorpoorten en de twee hefkolommen.

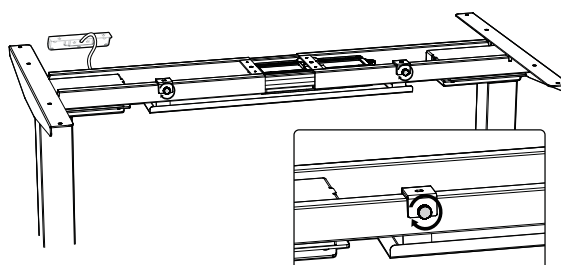
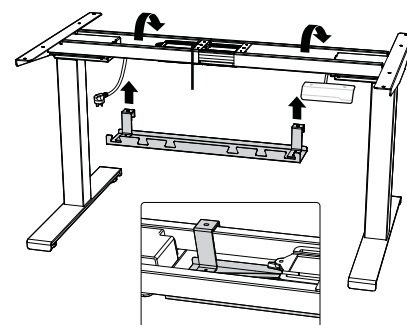
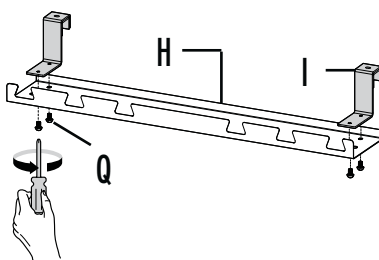


**Opmerking: de afbeelding van de bediening is enkel voor uw referentie. Het werkelijke product kan variëren.

INSTALLATIE ACCESSOIRES - KABELGOOT

Kabelgoot

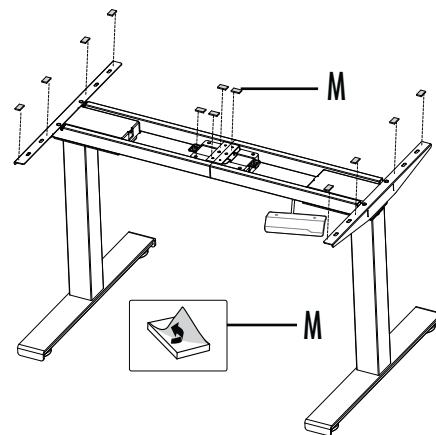
- Lijn de bevestigingsgaten uit op de goothangers met de schroefgaten in de kabelgoot. Monteer de goothangers met 4 kruiskopschroeven aan de onderkant met een kruiskopschroevendraaier.
- Hang de kabelgoot over de dwarsbalk.
- Draai de knoppen vast op de goothangers.



HET BUREAUBLAD MONTEREN

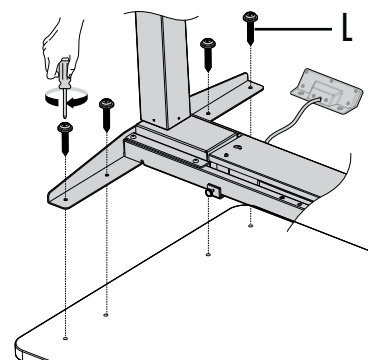
STAP 1

- Bevestig de antivibratiepads op het oppervlak van de dwarsbalk in de 12 posities zoals afgebeeld.



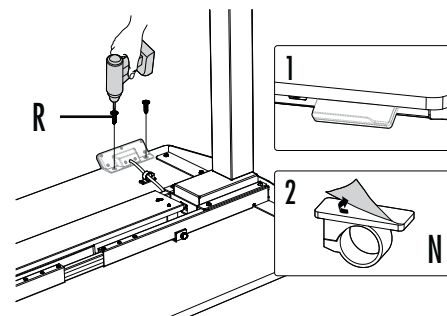
STAP 2

- Lijn de voorgeboorde gaten uit met de montagegaten op de dwarsbalk. Plaats en draai de 4 kruiskopschroeven.
- Herhaal dit om de andere kant van het bureaublad vast te zetten.



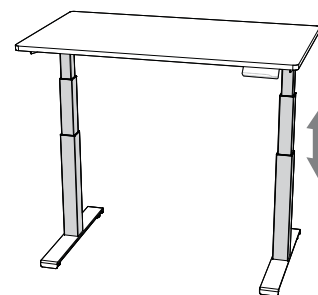
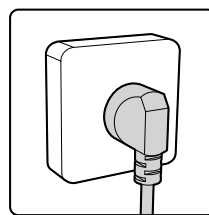
STAP 3

- Bevestig de bediening middels 2 kruiskopschroeven aan het bureau met behulp van een boormachine.
- Plak de zelfklevende kabelklemmen onder het bureau om de kabels te rangschikken.



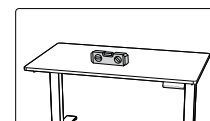
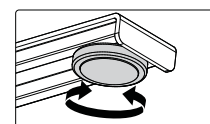
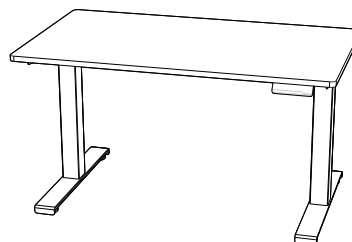
STAP 4

- Sluit de stroomkabel aan op basis van de controller en in een stopcontact.

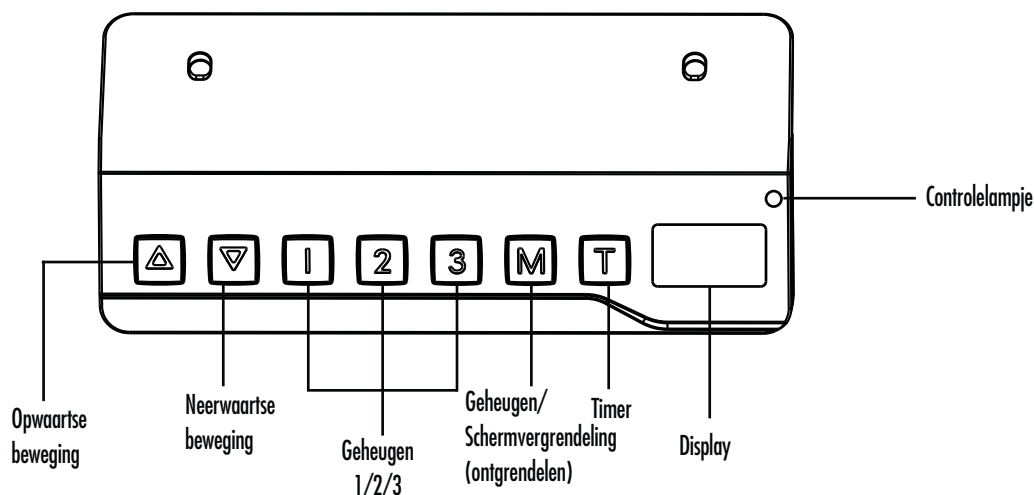


STAP 5

- Er bevinden zich twee verstelbare voetpads onder elke voet. Mocht de ondergrond ongelijk zijn, draai de pad om de hoogte aan te passen en het bureau stabiel te houden.



Tip: gebruik een waterpas om te controleren of het bureaublad horizontaal staat.



1. ALGEMENE WERKING

Wanneer het systeem ingeschakeld wordt, zal u een pieptoon horen en wordt de bestaande bureauhoogte op de controller weergegeven.

 Opwaartse beweging  Neerwaartse beweging

Druk op "▲" of "▼" en laat niet los tot het bureaublad de gewenste hoogte heeft bereikt (aangegeven op de controller). Wanneer de motor gedurende een relatief lange tijd continu in bedrijf is, zal de oververhittingsbeveiliging geactiveerd worden. Het bedieningspaneel zal na ongeveer 18 minuten weer normaal werken.

ENERGIEBESPARINGSMODUS - (10 MINUTEN)

Wanneer gedurende langer dan 10 minuten geen handeling wordt uitgevoerd, zal het systeem overschakelen op de energiebesparende modus. Raak een willekeurige knop aan om over te gaan naar de bedrijfsmodus.

2. GEHEUGEN INSTELLEN

Om een bepaalde hoogte op te slaan in het geheugen van de controller, drukt u eerst op "M". De letter "S-" zal worden weergegeven. Druk vervolgens binnen 5 seconden op "1", "2" of "3" om de huidige hoogte op te slaan in het geheugen. De knoppen "1", "2" of "3" kunnen elk een verschillende hoogte opslaan. Eenmaal opgeslagen, kunt u een van de 3 hoogte-instellingen in het geheugen van de controller selecteren door op de corresponderende knop te drukken tot de ingestelde hoogte is bereikt. Druk op een willekeurige knop om de aanpassing te annuleren.

3. SCHERMVERGRENDELING/-ONTGRENDELING

Om het scherm te vergrendelen: drukt u gedurende 3 seconden op "M" waarna het display "---" zal weergegeven. Het scherm is vergrendeld en er kunnen geen handelingen worden uitgevoerd. Om het scherm te ontgrendelen: druk gedurende 3 seconden op "M" waarna het display de huidige hoogte zal weergegeven.

Opmerking: Zorg ervoor dat de automatische vergrendelingsfunctie is INgeschakeld. Raadpleeg "DEEL 5 - Aangepaste programmeerhandleiding" om de schermvergrendelingsfunctie aan te passen.

4. TIMER

Druk op "T" om de timer in te stellen. Het display zal "0,5h" knipperen wat een 0,5 uur betekent. Druk herhaaldelijk op "T" om het 0,5 uur per keer te verhogen. De maximale timerinstelling bedraagt 2 uur. De tijd is ingesteld wanneer het numerieke cijfer stopt met knipperen en het lampje in de rechterbovenhoek van de controller aan staat. Wanneer de ingestelde timertijd is verstreken, geeft de zoemer een pieptoon, die de gebruiker eraan herinnert dat de werkpositie aangepast moet worden. De timer schakelt automatisch uit na vijf pieptonen. Zodra een timerinstelling verstreken is, wordt de timer van het apparaat uitgeschakeld. Om de timer uit te schakelen, drukt u vijf keer op "T" tot de huidige hoogte wordt weergegeven en het lichtje in de rechterbovenhoek van de controller uit gaat.

5. WISSELEN TUSSEN CM EN INCH

De voorgeprogrammeerde getoonde maat op het display is cm. Indien u cm naar inch wilt wijzigen, drukt u gedurende 8 seconden op "T". Wanneer de zoemer tweemaal een pieptoon geeft, is de maat succesvol gereset. Indien u inch terug naar cm wilt wijzigen, drukt u gedurende 8 seconden op "T". Wanneer de zoemer eenmaal een pieptoon geeft, is het systeem met succes omgezet naar cm.

6. RESET DE BESTURINGSEENHEID

Terwijl het apparaat ingeschakeld is, drukt u gelijktijdig op knoppen "▲" en "▼" tot de zoemer piept. Het bureau zal zich neerwaarts naar de laagste positie bewegen om zich vervolgens licht opwaarts te bewegen. Laat de knoppen niet los voordat het proces is voltooid.

7. PROBLEEMOPLOSSING

Foutnummer	Beschrijving	Oplossing	Foutnummer	Beschrijving	Oplossing
E01/E07	Elektrisch probleem	Koppel de voeding gedurende 30 seconden los en sluit opnieuw aan	E16/E26	Motorstoring	Het systeem resetten
E02	Schroefstangfout	Het systeem resetten	E17	Bureaublad is in de verkeerde richting geplaatst	Vervang de motorkabel (M1)
E04	Verbindingsfout digitale controller	Controleer de aansluiting en sluit daarna de stroom opnieuw aan	E18/E28	Overbelasting	Verwijder de items van het bureaublad
E05	Preventiesysteem voor schokken	Laat de knop los	E21	Geen verbinding	Controleer de verbinding (M2)
E06	Elektrisch probleem	Vervang de bedieningskast	E23	Gebroken motorkabel	Controleer en vervang vervolgens de motorkabel (M2)
E08	Helling bureaublad	Het systeem resetten	E24	Gebroken Hall-kabel	Controleer en vervang vervolgens de motorkabel (M2)
E11	Geen verbinding	Controleer de verbinding (M1)	E25	Kortsluiting	Vervang de motor (M2)
E12/E22	Abnormale stroomsterkte	Vervang de bedieningskast	E27	Bureaublad is in de verkeerde richting geplaatst	Vervang de motorkabel (M2)
E13	Gebroken motorkabel	Controleer en vervang vervolgens de motorkabel (M1)	E42	Fout geheugenfunctie	Vervang de bedieningskast
E14	Gebroken Hall-kabel	Controleer en vervang vervolgens de motorkabel (M1)	E43	Sensorfout in het preventiesysteem voor schokken	Vervang de bedieningskast
E15	Kortsluiting	Vervang de motor (M1)			

NB:

1. Automatische veiligheidsfunctie: het apparaat gaat over in beveiligingsmodus wanneer het systeem langer dan twee minuten "HOT" aangeeft op het display. Het systeem zal worden gereset en zal na ongeveer 20 minuten terug de normale werking hervatten.
2. Overbelastingsbeveiliging: als de belasting op het bureaublad te zwaar is, zal het systeem de overbelastingsbeveiliging inschakelen. Dit beschermt het systeem tegen schade veroorzaakt door overgewicht. Wanneer dit gebeurt, zal het bureau ongeveer 30 mm neerwaarts bewegen en tot stilstand komen terwijl de huidige hoogte wordt weergegeven.
3. Opgelet: Haal NOOIT de stekker uit het stopcontact of schakel de stroom uit om het toestel te resetten wanneer het zich in de beveiligingsmodus bevindt of wanneer het display "HOT" weergeeft.

AANGEPASTE INSTELLINGEN

Voor alle onderstaande aangepaste instellingen:

- Druk gedurende 5 seconden gelijktijdig op "M" en "T" tot de zoemer eenmaal piept en "S-1" wordt weergegeven.
- Indien geen andere handeling wordt uitgevoerd binnen 10 seconden, wordt het proces automatisch geannuleerd.
- Het proces kan steeds handmatig worden geannuleerd door op "T" te drukken.

Aangepaste instelling 1: Instellingen minimum- en maximumhoogte

- Minimum hoogtelimiet: Druk eenmaal op "M" terwijl "S-1" wordt weergegeven en druk vervolgens op "▲" of "▼" om de gewenste minimumhoogte in te stellen. Druk op "M" om op te slaan: "L-S" = succesvol, "L-F" = probeer het opnieuw.
 - Maximim hoogtelimiet: Druk op "▲" terwijl "S-1" wordt weergegeven om over te gaan naar "S-2". Druk eenmaal op "M" en vervolgens op "▲" of "▼" om de gewenste maximumhoogte in te stellen. Druk op "M" om op te slaan: "H-S" = succesvol, "H-F" = probeer het opnieuw.
- Opmerking: de standaard minimumhoogte is 62 cm (24,4") en het instelbare bereik 62-118 cm (24,4"-46,4"). De standaard maximumhoogte is 128 cm (50,4") en het instelbare bereik is 72-128 cm (28,3"-50,4").*

Aangepaste instelling 2: Pas de gevoeligheid van het preventiesysteem voor schokken aan

- Gevoeligheidsniveau hoger instellen: Druk op "▲" terwijl "S-1" wordt weergegeven om over te gaan naar "S-3". Druk eenmaal op "M" en vervolgens op "▲" of "▼" om het gevoeligheidsniveau aan te passen. Het standaard gevoeligheidsniveau is 2 en het instelbare bereik is 0-8 (0 = Uit, 8 = max.). Druk op "M" om op te slaan: "S-S" = succesvol, "S-F" = probeer het opnieuw.
- Gevoeligheidsniveau lager instellen: druk op "▲" terwijl "S-1" wordt weergegeven om over te gaan naar "S-4". Druk eenmaal op "M" en vervolgens op "▲" of "▼" om het gevoeligheidsniveau aan te passen. Het standaard gevoeligheidsniveau is 2 en het instelbare bereik is 0-8 (0 = Uit, 8 = max.). Druk op "M" om op te slaan: "S-S" = succesvol, "S-F" = probeer het opnieuw.

Aangepaste instelling 3: Pas de gevoeligheid van de helling van het bureaublad aan

- Gevoeligheidsniveau hoger instellen: Druk op "▲" terwijl "S-1" wordt weergegeven om over te gaan naar "S-5". Druk eenmaal op "M" en vervolgens op "▼" of "▲" om het gevoeligheidsniveau aan te passen. Het standaard gevoeligheidsniveau is 2 en het instelbare bereik is 0-8 (0 = Uit, 8 = max.). Druk op "M" om op te slaan: "S-S" = succesvol, "S-F" = probeer het opnieuw.

Aangepaste instelling 4: Aanpassen om de hoogte weer te geven met/zonder bureaublad

- Terwijl "S-1" wordt weergegeven, drukt u op "▲" om over te gaan naar "S-6". Druk eenmaal op "M" en vervolgens op "▲" of "▼" om de dikte van het bureaublad in te voeren. Druk op "M" om op te slaan: "T-S" = succesvol, "T-F" = probeer het opnieuw.

Aangepaste instelling 5: Scherm automatisch vergrendelen/ontgrendelen

- Terwijl "S-1" wordt weergegeven, drukt u op "▲" om over te gaan naar "S-7". Druk eenmaal op "M" en vervolgens op "▲" of "▼" om automatisch vergrendelen in te schakelen (1) of om automatisch vergrendelen uit te schakelen (0). Druk op "M" om op te slaan: "A-S" = succesvol, "A-F" = probeer het opnieuw.

Om de aangepaste instellingen te resetten, drukt u gedurende 5 seconden gelijktijdig op "M", "T" en "▲" tot de zoemer piept.

BEPERKTE GARANTIE - FELLOWES LEVADO™ - IN DE HOOGTE VERSTELBARE BUREAUBASIS

Fellowes, Inc (het "Bedrijf") garandeert dat de Cambio™ in de hoogte verstelbare bureaubasis (het "Product") gedurende de hierna uiteengezette periode vrij blijft van materiaal- en productiefouten.

Het structurele frame gedurende een periode van vijftien (15) jaar na de oorspronkelijke aanschafdatum van het product.

Alle elektrische onderdelen gedurende een periode van zeven (7) jaar na de oorspronkelijke aanschafdatum van het product.

Deze garantie is alleen van toepassing op degene die het product oorspronkelijk koopt en biedt geen dekking voor claims die voortkomen uit verkeerd gebruik, het niet volgen van instructies over installatie en gebruik, verwaarlozing, gebruik van niet-geautoriseerde accessoires, commercieel gebruik, gebruik bij een stroomsterkte of voltage anders dan vermeld op het product, of ongeautoriseerd onderhoud gedurende de garantieperiode voor problemen die anders onder de garantie vallen.

DE DUUR VAN ALLE IMPLICIETE GARANTIES, INCLUSIEF MAAR NIET BEPERKT TOT ENIGE IMPLICIETE GARANTIES VAN VERKOOPBAARHEID OF GESCHIKTHEID VOOR EEN BEPAALD DOEL, BLIJFT EXPLICIET BEPERKT TOT DE DUUR VAN DEZE BEPERKTE GARANTIE.

TENZIJ ANDERSZINS VEREIST ONDER HET TOEPASSELIJKE RECHT, IS HET EXCLUSIEVE VERHAAL VAN DE KLANT VOOR INBREUK OP DEZE GARANTIE OF ENIGE IMPLICIETE GARANTIE OF VOOR ENIGE ANDERE VERPLICHTING DIE VOORTKOMT UIT DE WERKING VAN HET RECHT OF ANDERSZINS, BEPERKT ZOALS HIER UITEENGEZET TOT REPARATIE, VERVANGING OF RESTITUTIE VAN DE AANKOOPPRIJS, DIT NAAR EIGEN INZICHT VAN HET BEDRIJF.

HET BEDRIJF, AAN HET BEDRIJF GELIEERDE BEDRIJVEN, DOCHTERONDERNEMINGEN, GERELATEERDE ENTITEITEN, WEDERVERKOPERS OF HUN RESPECTIEVE LEIDINGGEVENDEN, DIRECTEUREN OF WERKNEMERS OF DIE PERSONEN WAARVOOR ZIJ WETTELIJK VERANTWOORDELIJK ZIJN, ZIJN IN GEEN GEVAL AANSPRAKELIJK VOOR GEVOLGSCHADE OF INCIDENTELE SCHADE DIE IS GELEDEN IN VERBAND MET HET PRODUCT. HET BEDRIJF EN DEZE ANDERE PARTIJEN AANVAARDEN GEEN VERPLICHTING OF AANSPRAKELIJKHEID ANDERS DAN EXPLICIET HIERIN UITEENGEZET, NOCH AUTORISEREN ZIJ EEN VERTEGENWOORDIGER OF ANDERE PERSOON ERTOE DEZE VOOR HEN TE AANVAARDEN.

De duur en voorwaarden van deze garantie zijn wereldwijd van kracht, behalve daar waar de plaatselijke wetgeving andere beperkingen of voorwaarden vereist.

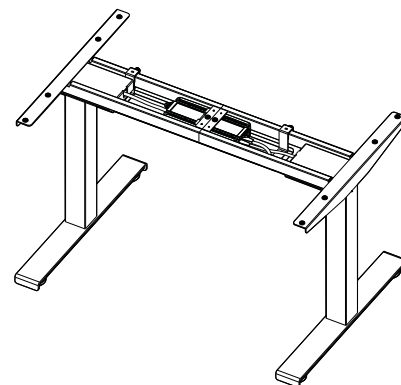
SÄKERHETSANVISNINGAR/VARNING

VARNING: VIKTIGA SÄKERHETSANVISNINGAR – Läs före användning!

- VARNING: Tungt lyft! Det krävs **två personer** för att flytta skrivbordet. Risk för allvarliga skador.
- ÖVERSKRID INTE DEN MAXIMALA VIKTKAPACITETEN. ALLVARLIGA PERSONSKADOR ELLER MATERIALSKADOR KAN UPPSTÅ
- Använd inte bordet om någon del är skadad eller har defekter.
- Placera inte hinder i vägen för skrivbordet.
- Placera inte föremål under skrivbordet som är högre än 558 mm (22 tum).
- Se till att det finns tillräckligt med ledigt utrymme på alla sidor av skrivbordet (minst 25 mm), mellan skrivbordet och omgivande väggar eller föremål.
- Sitt eller stå inte på skrivbordet.
- Demontera ej benen, kontrolldosan eller kontrollenheten. Allvarlig skada kan inträffa.
- Se till att alla sladdar är tillräckligt långa, oavsett höjinställning, och följ instruktionerna för kabeldragning i denna bruksanvisning. Underlåtenhet att följa dessa instruktioner kan leda till skador på utrustning eller till personskadorna.
- Håll alla elektriska komponenter borta från vätska. Använd dig endast av en torr trasa när du rengör elektriska komponenter.
- Endast för inomhusanvändning.
- Håll strömledaren borta från värmekällor.
- Koppla ur skrivbordet innan det flyttas eller repareras.
- Avlägsna all utrustning och alla tillbehör från skrivbordet innan du flyttar det.
- Håll barn på behörigt avstånd från rörliga delar och se till att de inte sitter under skrivbordet.

Maximal vikt inklusive bordsskiva

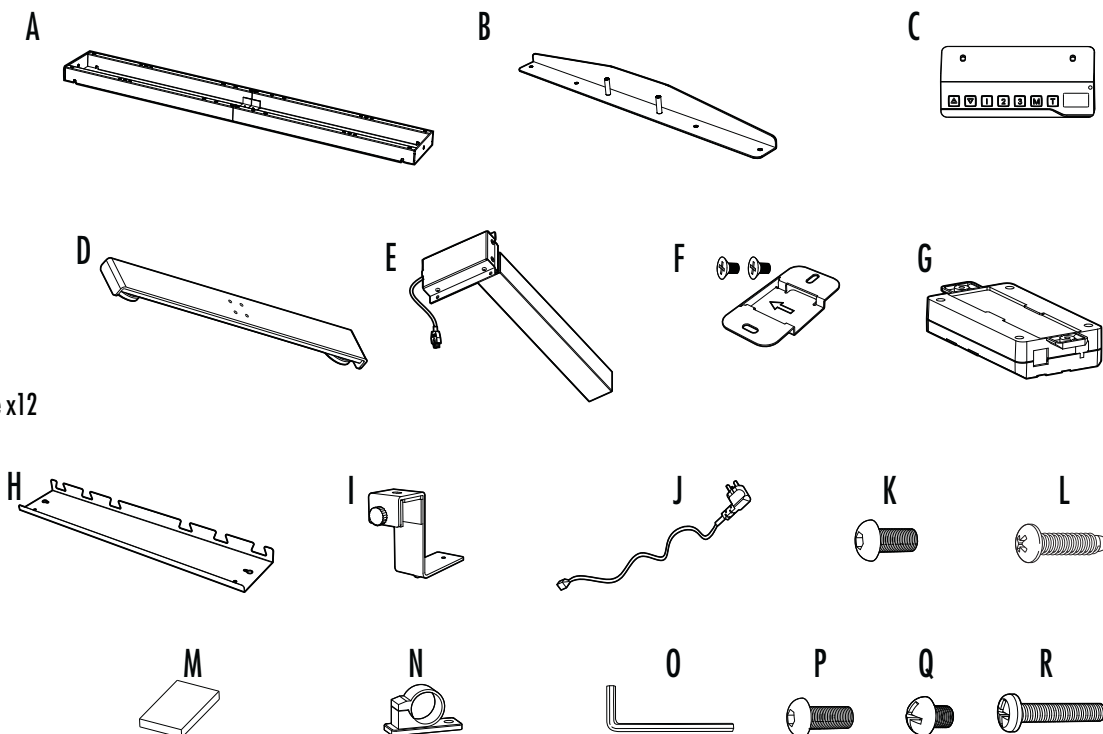
≤ 100 kg
≤ 220 viktpond



Tekniska Data	
Spänning	100–240 V
Frekvens	50/60 Hz
Ström (Ampere)	5 A
Wattal	200 W

MEDFÖLJANDE DELAR (Obs: Extra hårdvara kan vara inkluderad)

- A Tvärlä x1
- B Sidofäste x2
- C Styrenhet x1
- D Underredesfot x2
- E Lyftpelare x2
- F Fästplatta x1
+ Philipsskruvar x2
- G Kontrollenhet x1
- H Kabelhanteringsfack x1
- I Hake x2
- J Strömledare
- K M6x10 Sexkantsskruv x8
- L M6 Philipsskruvar med rund skalle x12
- M Vibrationsdämpare x12
- N Kabelklämma x3
- O 5 mm-insexnyckel x1
- P M6x16 Sexkantsskruv x8
- Q M3 Philipsskruvar x4
- R Philipsskruvar x2



Ytterligare nödvändiga verktyg

Stjärnskruvmejsel

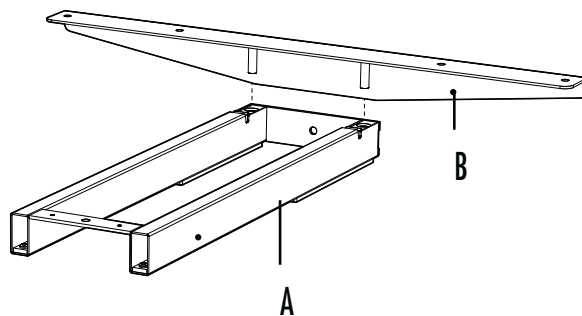
MONTERING AV UNDERREDE

STEG 1

Montera sidofästena

- Placera bordsskivan med ovansidan neråt på en mjuk, ren yta.
- Packa upp tvärlån och placera den försiktigt på golvet.
- Fäst sidofästet i änden på tvärlån.
- Gör likadant för att fästa det andra sidofästet.

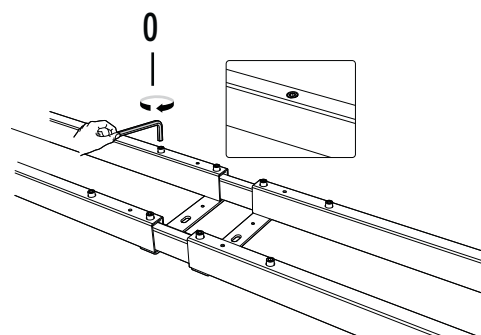
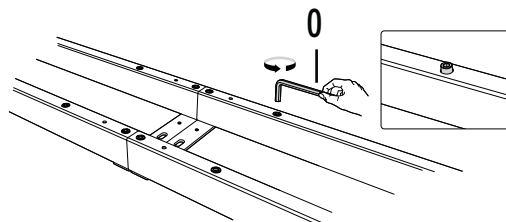
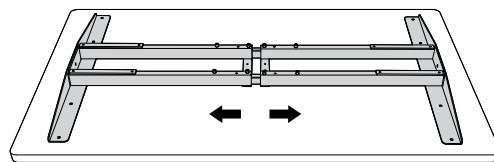
*Obs! Se till att tvärlån och sidofästena är riktade uppåt vid monteringen.



STEG 2

Justera ramens läge innan du fäster den vid bordet

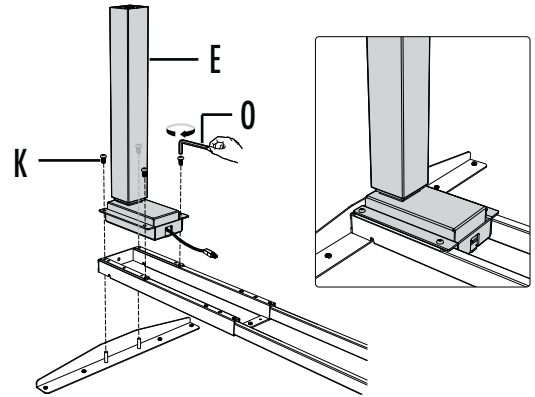
- Justera de tvärgående kanalerna till deras slutliga längd.
- Använd 5mm-insexnyckeln för att lossa på de åtta låsskruvarna på de tvärgående kanalernas inre sida.
- Kontrollera att de övre stöden på varje sida är i linje med de förborrade hålen i ramen.
- När justeringen har genomförts ordentligt använder du 5mm-insexnyckeln för att dra åt låsskruvarna (sammanlagt åtta stycken).



STEG 3

Montera lyftpelarna

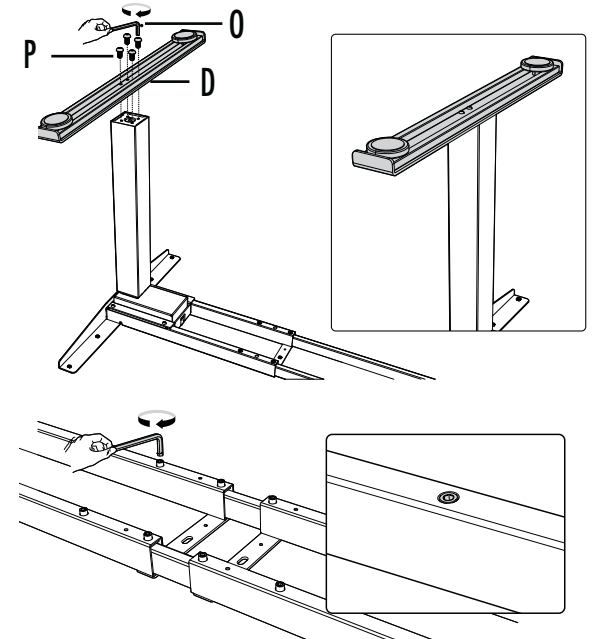
- Avlägsna skrivbordsskivan för ytterligare montering.
- För in de två lyftpelarna i tvärlåns båda ändar med överdelen på lyftpelarna vänd inåt. Se till att monteringshålen i lyftpelarna ligger helt i linje med skruvhålen på tvärlån.
- Skruva fast lyftpelaren och sidofästet till tvärlån med fyra **M6x10** sexkantsskruvar, med insexnyckeln.
- Gör likadant för att fästa den andra lyftpelaren.



STEG 4

Montera fötterna

- Placera foten under lyftpelaren. Justera in monteringshålen på foten med skruvhålen på lyftpelaren.
- Skruva fast foten med fyra **M6x16** sexkantsskruvar, med insexnyckeln.
- Gör likadant för att fästa den andra foten.
- Dra åt alla sexkantsskruvarna för att slutföra justeringen.

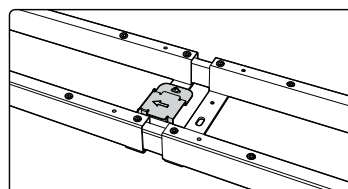
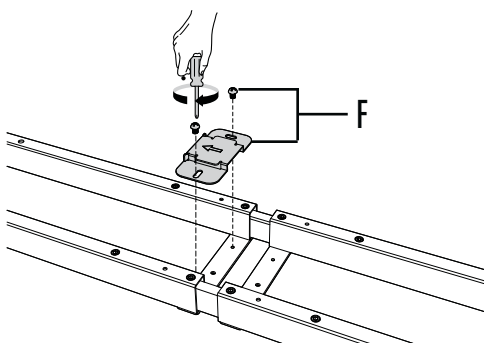


STEG 5

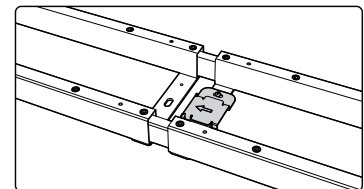
Montera fästplattan

- Justera in monteringshålen på fästplattan med skruvhålen enligt bilden.
- Skruva fast fästplattan på mitten av tvärlån med två stjärnskruvar, med en stjärnskruvmejsel. Fästplattan kan fästas på den högra eller vänstra sidan.

*Obs! Pilen på fästplattan indikerar kontrollenhetens glidriktning. Följ pilens riktning för att montera kontrollenheten i nästa steg.



ELLER



STEG 6

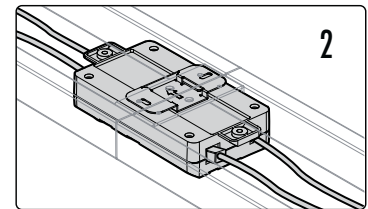
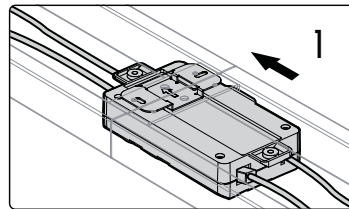
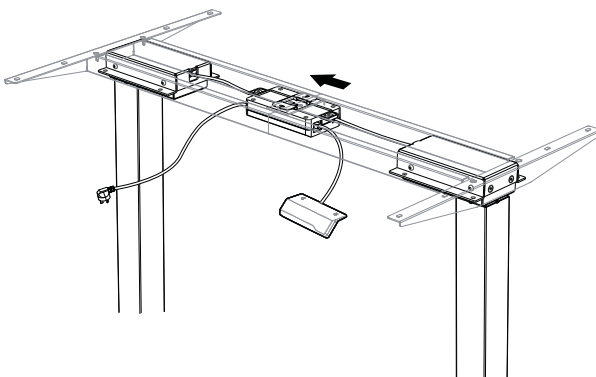
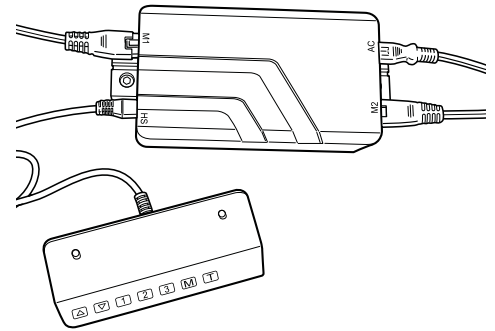
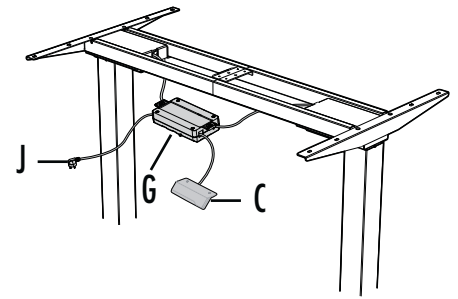
Koppla in sladdar

Vänd på skrivbordsunderredet med tvärsån pekandes uppåt. Det krävs **minst två personer** för att vända skrivbordsramen.

⚠ VARNING Om endast en person själv vänder skrivbordets ram kan det leda till allvarliga kroppsskador.

- Anslut de båda motorsladdarna till de två portarna på vardera sidan av kontrollenheten märkt "M1" och "M2".
- Anslut kontrollenhetssladden till porten som är märkt "HS".
- Sätt i strömsladden i porten som är märkt "AC".
- Justera in fästplattan med den högra änden av kontrollenhetens öppning. Skjut in kontrollboxen i fästplattan, från vänster sida, tills dess att kontrollenheten inte kan flyttas.

*Obs! Se till att öppningen på kontrollenheten är vänd uppåt. Det finns ingen korrelation mellan de två motorportarna och de två lyftpelarna.

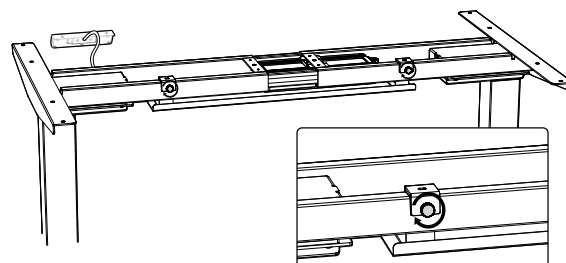
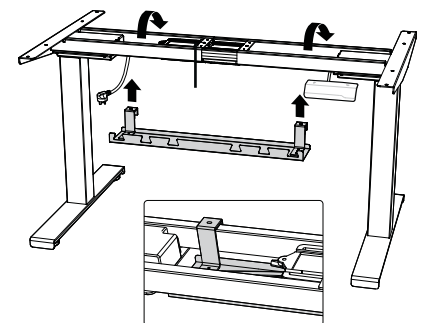
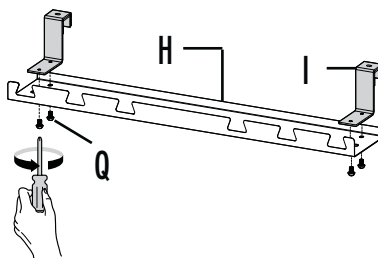


**Obs! Bilden på kontrollenheten är endast avsedd som referens. Den faktiska produkten kan se annorlunda ut.

MONTERING AV TILLBEHÖR – KABELHANTERINGSFACK

Kabelhanteringsfack

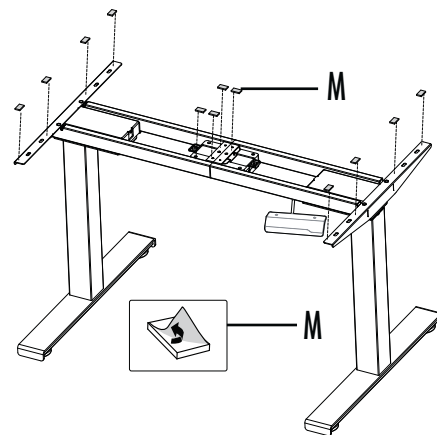
- Justera in monteringshålen på fackhängarna med skruvhålen på kabelhanteringsfacket. Montera fackhängarna med fyra stjärnskruvar underifrån, med en stjärnskruvmejsel.
- Häng kabelhanteringsfacket på tvärsån.
- Dra åt knopparna på fackhängarna.



MONTERING AV SKRIVBORDSSKIVA

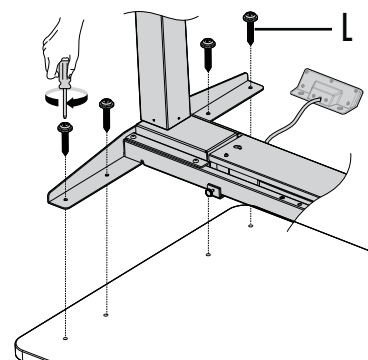
STEG 1

- Fäst vibrationsdämparna på tvärlåns utsida, vid de 12 positioner som visas.



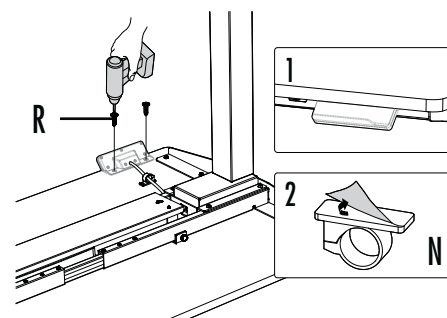
STEG 2

- Passa in de förborrade skruvhålen med monteringshålen på tvärlån. Fäst och dra åt de fyra stjärnskruvarna.
- Gör likadant för att dra åt skrivbordsskivan på den andra sidan.



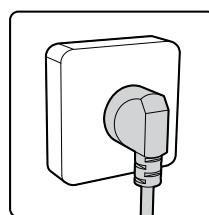
STEG 3

- Fäst kontrollenheten på skrivbordet med två Philipsskruvar med en bormaskin.
- Fäst de självhäftande kabelklämmorna under skrivbordet för att samla ihop sladdarna.



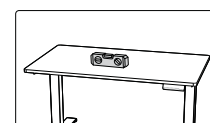
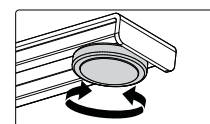
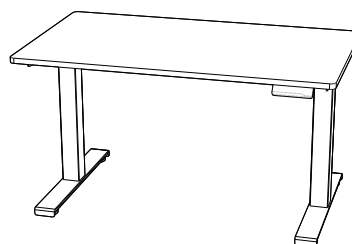
STEG 4

- Koppla in strömsladden i kontrollenheten på underredet samt i ett vägguttag.

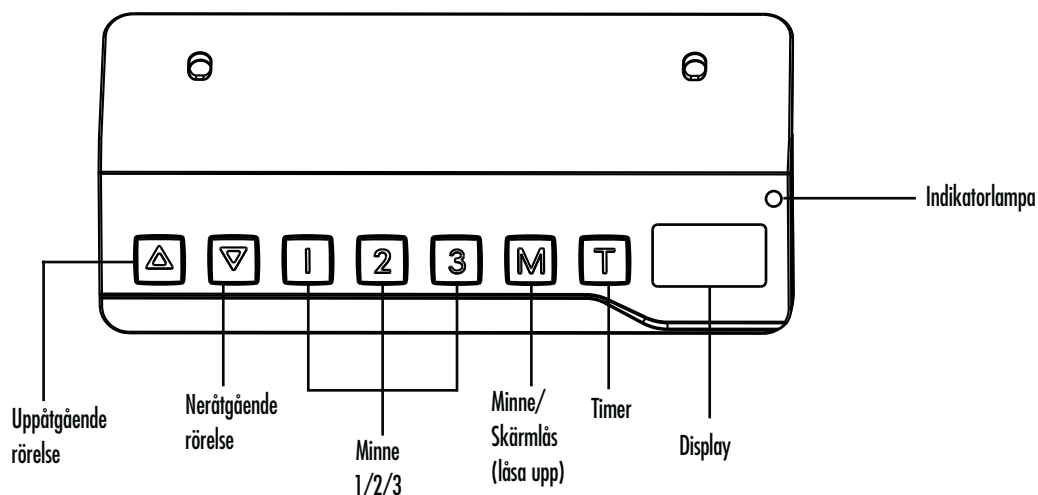


STEG 5

- Det finns två justerbara fotplattor under varje fot. Om golvet är ojämnt vrider du bara plattan för att ställa in höjden och stabilisera skrivbordet.





Tips: Använd ett vattenpass för att kontrollera att skrivbordet står jämnt.



1. ALLMÄN DRIFT

När systemet slås på hörs ett pip och den aktuella skrivbordshöjden visas på kontrollenheten.

 Uppåtgående rörelse  Neråtgående rörelse

Tryck på "▲" eller "▼" och håll intryckt tills skrivbordet når önskad höjd (visas på kontrollenheten). Om motorn arbetar utan uppehåll under en längre tid, aktiveras överhettningsskyddet. Kontrollpanelen fungerar normalt igen efter ca 18 minuter.

ENRGISPARLÄGE (10 MINUTER)

När inga åtgärder görs under 10 minuter går systemet in i energisparläge. Tryck på valfri knapp för att gå till driftsläge.

2. MINNESINSTÄLLNING

Om du vill spara en viss höjd i kontrollenhetens minne trycker du först på "M". Bokstaven "S-" visas. Tryck på "1", "2" eller "3" inom fem sekunder för att spara aktuell höjd i minnet. Knapparna "1", "2" och "3" kan var och en spara inställningen för en annan höjd. När de har sparats i minnet kan du välja någon av de tre höjdställningarna som finns i kontrollenhetens minne genom att trycka på motsvarande knapp tills den inställda höjden nås. Tryck på valfri knapp för att avbryta justeringen.

3. LÅS/LÅS UPP SKÄRM

För att låsa skärmen: Tryck på "M" i tre sekunder och displayen visar "---". Skärmen har låsts och inga funktioner kan användas. För att låsa upp skärmen: Tryck på "M" i tre sekunder och displayen visar aktuell höjd.

Obs! Se till att autolåsfunktionen är PÅ. Se "DEL 5 – Anpassad programmeringsguide" och ändra skärmlåset.

4. TIMER

För att ställa in timern trycker du på "T". Displayen blinkar "0,5 h", vilket betyder 30 minuter. Tryck på "T" för att öka med 30 minuter i taget. Den maximala timerinställningen är två timmar. Tiden är inställd när siffran slutar blinka och lampan i det övre högra hörnet på kontrollenheten tänds. När timern har nått den inställda tiden hörs ett pip och påminner användaren om att justera sin arbetsposition. Timern stängs av automatiskt efter fem pip. När en timerinställning har löpt ut, avbryts enhetens timerfunktion. För att avaktivera timern trycker du på "T" fem gånger tills den aktuella höjden visas och lampan uppe till höger på kontrollenheten släcks.

5. ÄNDRING MELLAN CM OCH TUM

Den förinställda måttenheten som visas på displayen är cm. Om du vill ändra från centimeter till tum trycker du på "T" i åtta sekunder. Efter två pip är måttenheten återställd. Om du vill byta tillbaka från tum till centimeter, trycker du på "T" i åtta sekunder. Efter ett pip har systemet återgått till centimeter.

6. ÅTERSTÄLL KONTROLLENHETEN

När enheten är påslagen trycker du på knapparna "▲" och "▼" samtidigt tills det piper. Håll in knapparna tills processen är klar. Håll in knapparna tills processen är klar. Skrivbordet flyttas ner till det lägsta läget och höjs sedan något. Håll in knapparna tills processen är klar.

7. FELSÖKNING

Felnr.	Beskrivning	Åtgärd	Felnr.	Beskrivning	Åtgärd
E01/E07	Elektriskt problem	Koppla från strömmen i 30 sekunder och koppla sedan på strömmen igen	E16/E26	Motorfel	Återställ systemet
E02	Skruvstångsfel	Återställ systemet	E17	Skrivbordet rör sig i fel riktning	Byt ut motorsladden (M1)
E04	Anslutningsfel på den digitala kontrollenheten	Kontrollera anslutningen och koppla sedan in strömmen igen	E18/E28	För tung belastning	Ta bort föremålen från skrivbordet
E05	Anti-kollisionssystem	Släpp knappen	E21	Ingen anslutning	Kontrollera anslutningen (M2)
E06	Elektriskt problem	Byt ut kontrollenheten	E23	Motorledning trasig	Kontrollera och byt sedan ut motorsladden (M2)
E08	Skrivbordsskivan lutar	Återställ systemet	E24	Hall-ledning trasig	Kontrollera och byt sedan ut motorsladden (M2)
E11	Ingen anslutning	Kontrollera anslutningen (M1)	E25	Kortslutning	Byt ut motorn (M2)
E12/E22	Onormal ström	Byt ut kontrollenheten	E27	Skrivbordet rör sig i fel riktning	Byt ut motorsladden (M2)
E13	Motorledning trasig	Kontrollera och byt sedan ut motorsladden (M1)	E42	Minnesfunktionsfel	Byt ut kontrollenheten
E14	Hall-ledning trasig	Kontrollera och byt sedan ut motorsladden (M1)	E43	Fel på anti-kollisionssystemets sensor	Byt ut kontrollenheten
E15	Kortslutning	Byt ut motorn (M1)			

Notera:

1. Självskyddsfunktion: enheten går in i skyddsläget om systemet arbetar i mer än två minuter när "HOT" visas på kontrolldisplayen. Systemet återställs och återgår till normal drift efter ca 20 minuter.
2. Överbelastningsskyddsläge: om belastningen på skrivbordet överstiger viktkapaciteten vid drift, går systemet in i ett överbelastningsskyddsläge. Detta skyddar systemet från skador som orsakas av för hög viktbelastning. När detta händer rör sig skrivbordet neråt cirka 30 mm och stannar vid den aktuella höjden som visas.
3. Obs! Koppla ALDRIG ur eller stäng av strömmen för att återställa enheten när den befinner sig i ett skyddsläge eller "HOT"-läge.

ANPASSADE INSTÄLLNINGAR

För alla nedanstående anpassade inställningar:

- Tryck på "M" och "T" samtidigt i fem sekunder tills det piper en gång och "S-1" visas.
- Om inga andra åtgärder vidtas inom 10 sekunder avbryts processen automatiskt.
- Du kan avbryta processen manuellt genom att trycka på "T".

Anpassad inställning 1: Lägsta och högsta höjd

- Lägsta höjd: När "S-1" visas trycker du på "M" en gång och sedan på "▲" eller "▼" för att ställa in önskad lägsta höjd. Tryck på "M" för att spara: "L-S" = Sparat, "L-F" = Försök igen.
- Högsta höjd: När "S-1" visas trycker du på "▲" tills "S-2" visas. Tryck på "M" en gång och sedan på "▲" eller "▼" för att ställa in önskad högsta höjd. Tryck på "M" för att spara: "H-S" = Sparat, "H-F" = Försök igen.

Obs! Standardvärdet för lägsta höjd är 62 cm (24,4 tum) och det inställbara intervallet är 62–118 cm (24,4–46,4 tum). Obs! Standardvärdet för högsta höjd är 128 cm (50,4 tum) och det inställbara intervallet är 72–128 cm (28,3–50,4 tum).

Anpassad inställning 2: Justera anti-kollisionskänsligheten

- Justera känsligheten uppåt: När "S-1" visas trycker du på "▲" tills "S-3" visas. Tryck på "M" en gång och tryck sedan på "▲" eller "▼" för att ändra känslighetsnivån. Standardkänsligheten är 2 och det inställbara intervallet är 0–8 (0 = Av, 8 = Max). Tryck på "M" för att spara: "S-S" = Sparat, "S-F" = Försök igen.
- Justera känsligheten neråt: När "S-1" visas trycker du på "▲" tills "S-4" visas. Tryck på "M" en gång och tryck sedan på "▲" eller "▼" för att ändra känslighetsnivån. Standardkänsligheten är 2 och det inställbara intervallet är 0–8 (0 = Av, 8 = Max). Tryck på "M" för att spara: "S-S" = Sparat, "S-F" = Försök igen.

Anpassad inställning 3: Justera känsligheten för skrivbordets lutning

- Justera känsligheten uppåt: Medan "S-1" visas trycker du på "▲" tills "S-5" visas. Tryck på "M" en gång och tryck sedan på "▲" eller "▼" för att ändra känslighetsnivån. Standardkänsligheten är 2 och det inställbara intervallet är 0–8 (0 = Av, 8 = Max). Tryck på "M" för att spara: "S-S" = Sparat, "S-F" = Försök igen.

Anpassad inställning 4: Justera för att visa höjd med/utan skrivbordsskiva

- När "S-1" visas trycker du på "▲" tills "S-6" visas. Tryck på "M" en gång och tryck sedan på "▲" eller "▼" för att ange skrivbordets tjocklek. Tryck på "M" för att spara: "T-S" = Sparat, "T-F" = Försök igen.

Anpassad inställning 5: Lås/lås upp skärmen automatiskt

- När "S-1" visas trycker du på "▲" tills "S-7" visas. Tryck på "M" en gång och tryck sedan på "▲" eller "▼" för att aktivera automatisk låsning (1) eller för att stänga av automatisk låsning (0). Tryck på "M" för att spara: "A-S" = Sparat, "A-F" = Försök igen.

För att återställa de anpassade inställningarna trycker du på "M", "T" och "▲" samtidigt i fem sekunder tills det piper.

BEGRÄNSAD GARANTI FÖR FELLOWES CAMBIO™ HÖJ- OCH SÄNKbart SKRIVBORDSUNDERREDE

Fellowes, Inc. ("Företaget") garanterar att Cambio™ höj- och sänkbart skrivbordsunderrede ("Produkten") är fri från fel med avseende på material och utförande under den tidsperiod som specificeras nedan.

Den strukturella ramen garanteras under en period på femton (15) år, räknat från datumet när produkten ursprungligen inhandlades.

Alla elektriska komponenter garanteras under en period på sju (7) år, räknat från datumet när produkten ursprungligen inhandlades.

Garantin gäller endast den ursprungliga inköparen och täcker ej anspråk som uppstår till följd av missbruk, underlåtenhet att följa instruktionerna vid installation och användning, försummelse, användning av ej godkända tillbehör, kommersiell användning, användning vid en strömstyrka eller spänning som ej motsvarar den som specificeras på produkten, eller obehörig service under garantiperioden på villkor som i övrigt täcks av garanti.

LÄNGDEN PÅ EVENTUELLA UNDERFÖRSTÅDDA GARANTIER, DÄRIBLAND EVENTUELLA GARANTIER AVSEENDE MARKNADSFÖRBARHET ELLER LÄMPLIGHET FÖR ETT VISST SYFTE, BEGRÄNSAS UTTRYCKLIGEN TILL VARAKTIGHETEN FÖR DENNA BEGRÄNSADE GARANTI.

SÅVID ANNAT EJ STIPULERAS I TILLÄMPLIG LAG SKA KUNDENS EXKLUSIVA RÄTTSMEDEL FÖR BROTT MOT DENNA GARANTI ELLER ANNAN UNDERFÖRSTÅDD GARANTI, ELLER NÅGON ANNAN SKYLDIGHET SOM HÄRRÖR FRÅN LAG ELLER HAR ANNAN GRUND, BEGRÄNSAS, ENLIGT VAD SOM STIPULERAS HÄRI, TILL REPARATION, ERSÄTTNING ELLER ÅTERBETALNING AV INKÖSPRISET EFTER FÖRETAGETS OMDÖME.

FÖRETAGET, DESS FILIALER, DOTTERBOLAG, NÄRSTÅENDE ENHETER, ÅTERFÖRSÄLJARE, DERAS RESPEKTIVE TJÄNSTEMÄN, DIREKTÖRER ELLER ANSTÄLLDA, ELLER DE PERSONER FÖR VILKA DE ANSVARAR ENLIGT LAG, SKA UNDER INGA OMSTÄNDIGHETER HA ANSVARSSKYLDIGHET FÖR FÖLJDSKADOR ELLER INDIREKTA SKADOR SOM UPPSTÅR I SAMBAND MED PRODUKTEN. FÖRETAGET OCH DESSA ANDRA PARTER ÅTAR SIG EJ, OCH GER INTE HELLER NÅGON REPRESENTANT ELLER ANNAN PERSON BEHÖRIGHET ATT ÅTA SIG, NÅGON SKYLDIGHET ELLER NÅGOT ANSVAR ANNAT ÄN VAD SOM UTTRYCKLIGEN STIPULERAS HÄRI.

Villkoren och varaktigheten för denna garanti gäller överallt utom där lagstiftningen ställer andra begränsningar eller villkor.

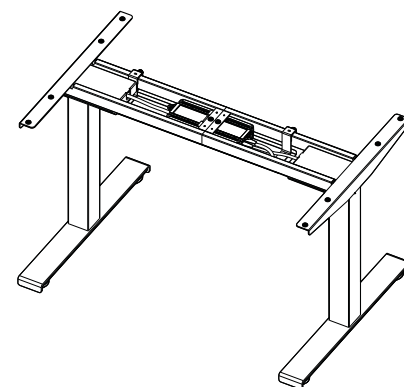
INSTRUKCJE BEZPIECZEŃSTWA / OSTRZEŻENIE

OSTRZEŻENIE: WAŻNE WSKAZÓWKI BEZPIECZEŃSTWA — Przeczytać przed użyciem!

- **PRZESTROGA:** Ryzyko wystąpienia urazu podczas podnoszenia! Do przenoszenia biurka wymagana jest obecność **dwóch osób**. Istnieje ryzyko poważnych obrażeń ciała.
- **NIE PRZEKRACZAĆ MAKSYMALNEGO OKREŚLONEGO OBCIĄŻENIA.** ISTNIEJE RYZYKO POWAŻNYCH OBRAŻEŃ CIAŁA LUB USZKODZENIA MIENIA.
- Nie korzystać z biurka, jeśli którakolwiek z części jest wadliwa lub uszkodzona.
- Nie umieszczać przeszkód przed biurkiem.
- Nie umieszczać pod biurkiem obiektów wyższych niż 558 mm (22").
- Upewnić się, że z każdej strony biurka pozostawiono wystarczający odstęp [co najmniej 25 mm (1")] od otaczających je ścian i obiektów.
- Nie siadać ani nie stawać na biurku.
- Nie demontować nóg, skrzynki sterowniczej ani sterownika. Nieprzestrzeganie tego zalecenia może prowadzić do poważnych obrażeń.
- Upewnić się, że wszystkie przewody są wystarczająco długie, by można było regulować wysokość biurka w pełnym zakresie i ułożyć je zgodnie z zaleceniami dotyczącymi układania przewodów podanymi w niniejszej instrukcji. Niezastosowanie się do tych zaleceń może prowadzić do uszkodzenia sprzętu lub obrażeń ciała.
- Trzymać płyty z dala od wszelkich elementów elektrycznych. Elementy elektryczne czyścić wyłącznie suchą szmatką.
- Biurko jest przeznaczone tylko do użytku w zamkniętych pomieszczeniach.
- Przewód zasilający trzymać z dala od źródeł ciepła.
- Wyciągnąć wtyczkę biurka przed jego przenoszeniem lub serwisowaniem.
- Przed przystąpieniem do przenoszenia biurka usunąć z niego cały sprzęt i wszystkie akcesoria.
- Trzymać dzieci z dala od ruchomych części i przestrzeni pod biurkiem.

Maksymalna masa z blatem

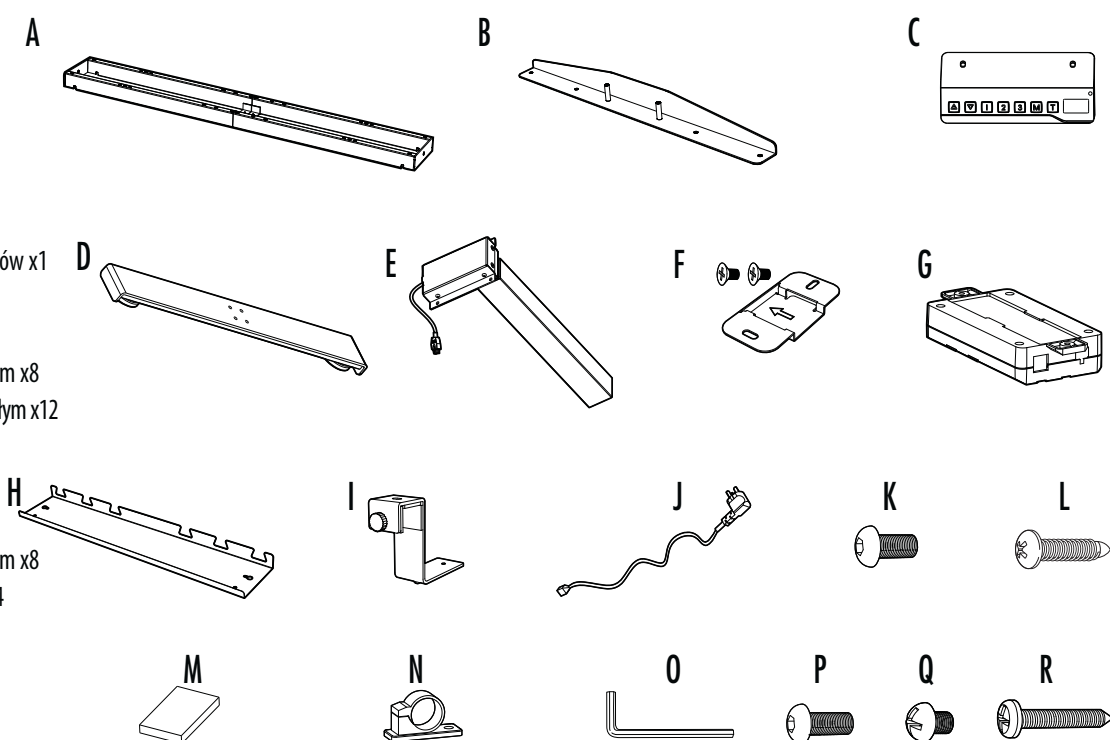
≤ 100 kg
≤ 220 lbs



Dane techniczne	
Napięcie prądu	100–240 V
Częstotliwość	50/60 Hz
Prąd (w amperach)	5 A
Moc	200 W

CZĘŚCI ZNAJDUJĄCE SIĘ W ZESTAWIE (Uwaga: Może być też dołączony dodatkowy osprzęt)

- A Poprzeczka x1
- B Wspornik boczny x2
- C Sterownik x1
- D Podstawa nóżki x2
- E Kolumna podnosząca x2
- F Płytki mocujące x1 + Śruba z łbem krzyżakowym x2
- G Skrzynka sterownicza x1
- H Korytka do prowadzenia przewodów x1
- I Haczyk x2
- J Przewód zasilający
- K Śruba M6x10 z łbem sześciokątnym x8
- L Śruba krzyżakowa M6 z łbem okrągłym x12
- M Podkładka antywibracyjna x12
- N Zacisk kablowy x3
- O Klucz imbusowy 5 mm x1
- P Śruba M6x16 z łbem sześciokątnym x8
- Q Śruba M3 z łbem krzyżakowym x4
- R Śruba z łbem krzyżakowym x2



Wymagane dodatkowe narzędzia

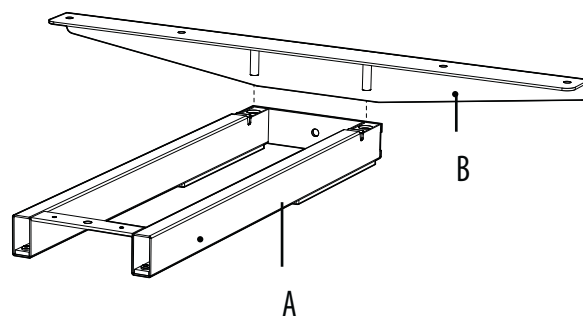
- Wkrętak z grotem typu Phillips
- Wiertarka elektryczna

KROK 1

Mocowanie wsporników bocznych

- Odwrócony blat umieścić na miękkiej, czystej powierzchni.
- Rozpakować poprzeczkę i ostrożnie umieścić ją na podłodze.
- Przymocować wspornik boczny do końca poprzeczki.
- Powtarzając te same czynności, zamontować drugi wspornik boczny.

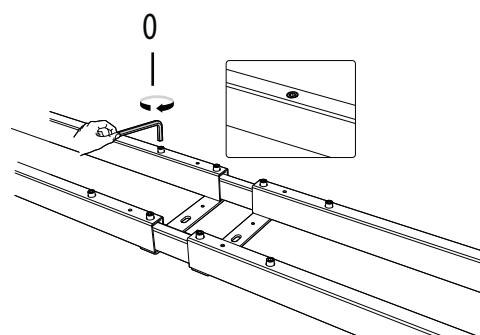
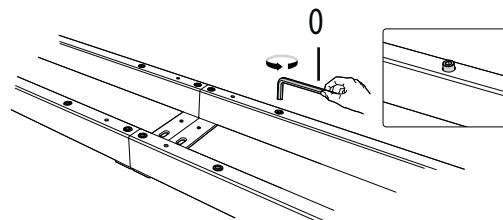
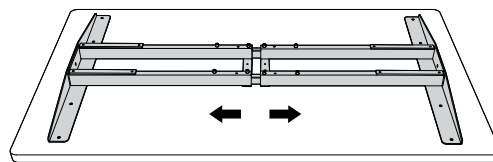
*Uwaga: Należy się upewnić, że poprzeczka i wsporniki boczne są podczas montażu skierowane do góry.



KROK 2

Dostosować położenie ramy przed przymocowaniem jej do blatu

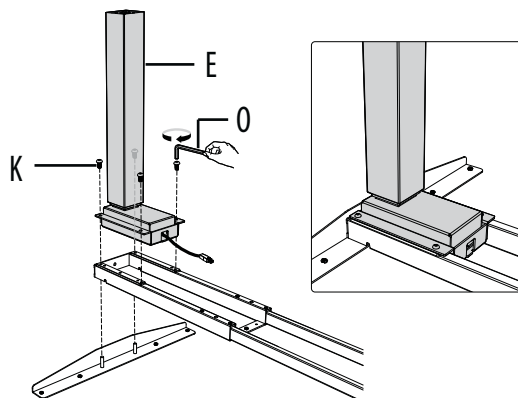
- Ustawić docelową długość prowadnic poprzecznych.
- Za pomocą klucza imbusowego 5 mm poluzować (8) śrub ustalających po wewnętrznej stronie prowadnic poprzecznych.
- Sprawdzić, czy górne wsporniki po każdej stronie są wyrównane względem wstępnie nawierconych otworów w ramie.
- Po skutecznej regulacji użyć klucza imbusowego 5 mm, by ponownie dokręcić śruby ustalające (łącznie 8 sztuk).



KROK 3

Montaż kolumn podnoszących

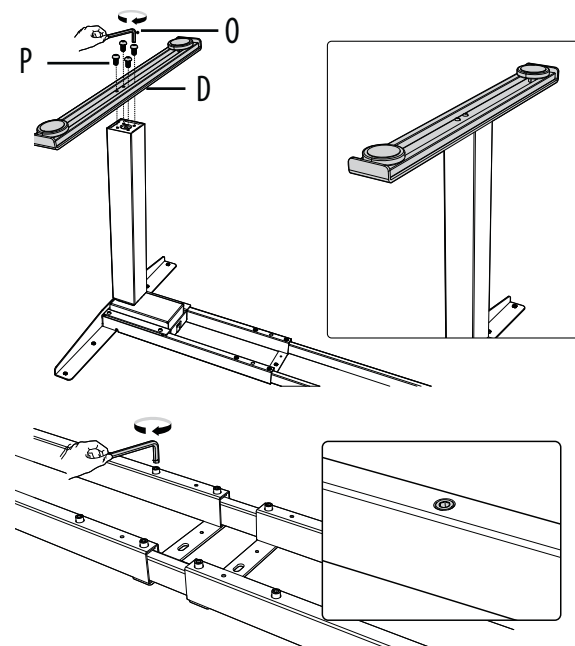
- Zdjąć blat w celu dalszej instalacji.
- Włożyć dwie kolumny podnoszące do dwóch końców poprzeczki tak, aby głowice kolumn podnoszących były skierowane do wewnątrz. Upewnić się, że otwory montażowe w kolumnach podnoszących są całkowicie wyrównane względem otworów na śruby w poprzeczce.
- Zamocować kolumnę podnoszącą i wspornik boczny do poprzeczki, wkręcając 4 śruby **M6x10** z łbem sześciokątnym za pomocą klucza imbusowego.
- Powtarzając te same czynności, zamontować drugą kolumnę podnoszącą.



KROK 4

Montaż nóżek

- Umieścić nóżkę na spodzie kolumny podnoszącej. Wyrównać otwory montażowe na nóżce względem otworów na śruby w kolumnie podnoszącej.
- Przymocować nóżkę za pomocą 4 śruby **M6x16** z łbem sześciokątnym, używając klucza imbusowego.
- Powtarzając te same czynności, zamontować drugą nóżkę.
- Ponownie dokręcić wszystkie śruby z łbem sześciokątnym, aby zakończyć regulację.

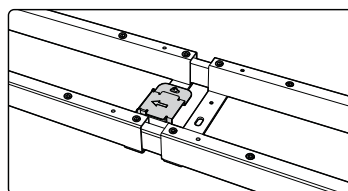
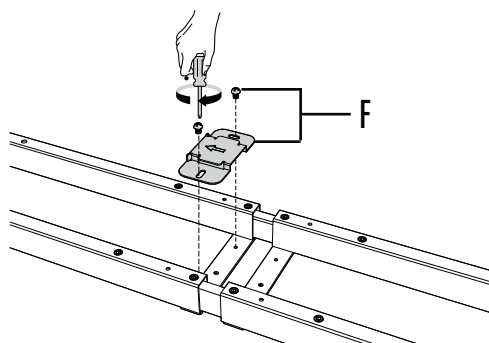


KROK 5

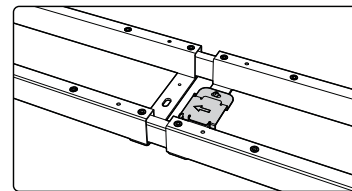
Montaż płytki mocującej

- Dopasować otwory montażowe na płytkach mocujących do otworów na śruby, jak pokazano na rysunku.
- Przymocować płytkę mocującą na środku poprzeczki, wkręcając 2 śruby z łbem krzyżakowym za pomocą śrubokręta krzyżakowego. Płytkę mocującą można przymocować po prawej lub lewej stronie.

*Uwaga: Strzałka na płytce mocującej wskazuje kierunek wsunięcia skrzynki sterowniczej. W następnym etapie należy zgodnie z kierunkiem strzałki zamontować skrzynkę sterowniczą.



LUB



KROK 6

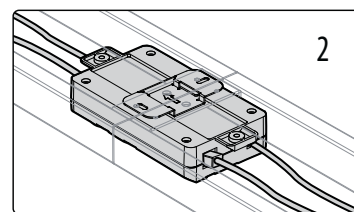
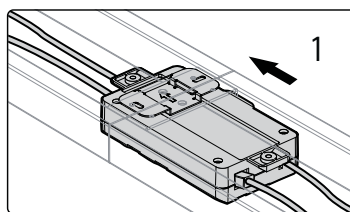
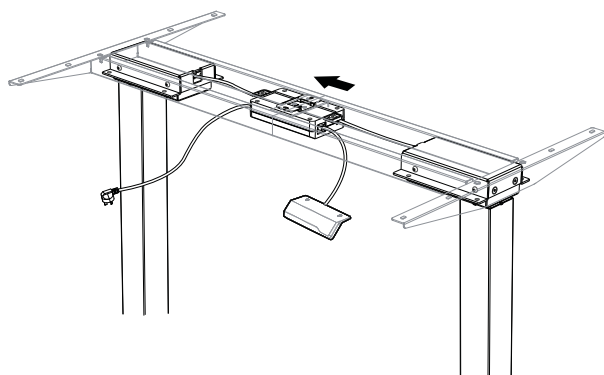
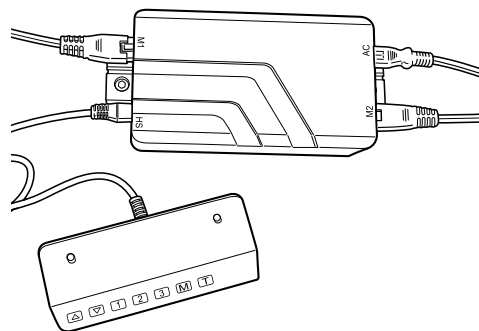
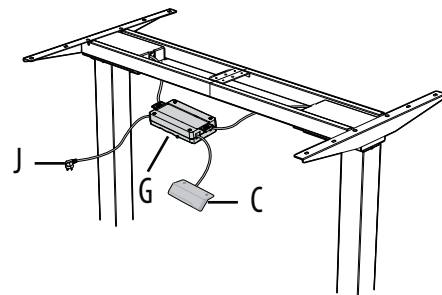
Podłączanie przewodów

Odwrócić ramę biurka tak, aby poprzeczka była skierowana do góry. **Wymagana jest obecność co najmniej dwóch osób** do odwrócenia ramy biurka.

⚠ OSTRZEŻENIE Samodzielne obrócenie ramy biurka wiąże się z ryzykiem odniesienia poważnych obrażeń ciała.

- Podłączyć dwa kable silnika do dwóch gniazd po obu stronach skrzynki sterowniczej oznaczonych jako „M1” i „M2”.
- Podłączyć przewód sterownika do gniazda oznaczonego symbolem „HS”.
- Włożyć przewód zasilający do gniazda oznaczonego „AC”.
- Wyrównać płytkę mocującą względem prawej krawędzi gniazda skrzynki sterowniczej. Od lewej strony wsunąć skrzynkę sterowniczą w płytkę mocującą, aż do pozycji, w której nie będzie już można dalej przesunąć skrzynki sterowniczej.

*Uwaga: Należy się upewnić, że gniazdo w skrzynce sterowniczej jest skierowane do góry. Nie ma wzajemnego związku pomiędzy dwoma gniazdami silnika i dwiema kolumnami podnoszącymi.

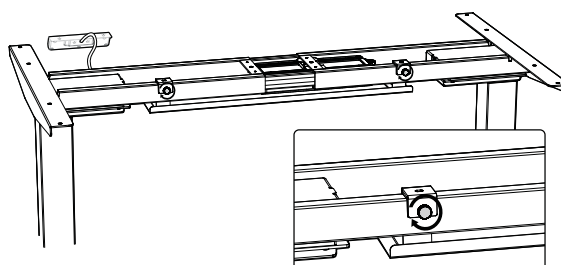
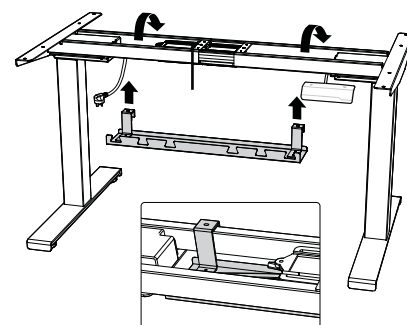
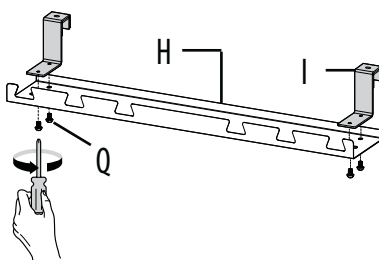


**Uwaga: Rysunek sterownika służy wyłącznie do celów poglądowych. Rzeczywisty produkt może wyglądać inaczej.

INSTALACJA AKCESORIÓW – KORYTKO DO PROWADZENIA PRZEWODÓW

Korytko do prowadzenia przewodów

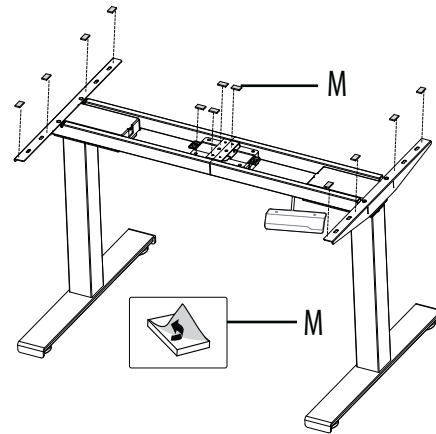
- Wyrównać otwory montażowe na wieszakach korytka względem otworów na śruby w korytku do prowadzenia kabli. Zamontować wieszaki korytka, wkręcając od spodu 4 śruby z łbem krzyżakowym za pomocą wkrętaka krzyżakowego.
- Podwiesić korytko do prowadzenia przewodów pod poprzeczkę.
- Dokręć pokrętła na wieszakach korytka.



MONTAŻ BLATU

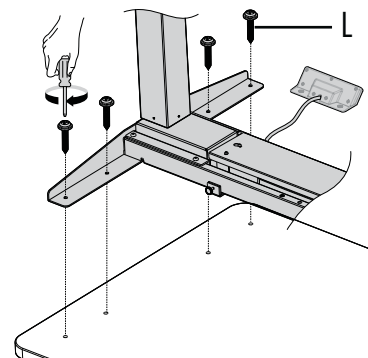
KROK 1

- Przymocować podkładki antywibracyjne do powierzchni poprzeczki w 12 miejscach, jak pokazano.



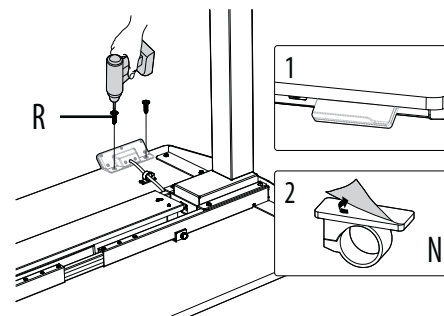
KROK 2

- Wyrównać wstępnie wywiercone otwory na śruby względem otworów montażowych w poprzeczce. Włożyć i dokręcić 4 śruby z łbem.
- Powtórzyć te same czynności, aby zamocować drugą stronę blatu.



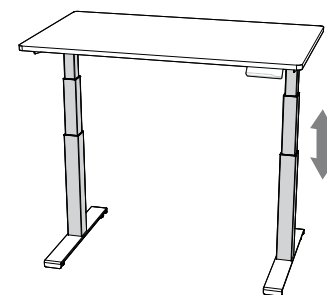
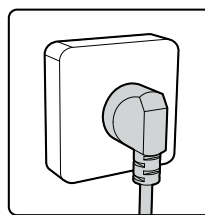
KROK 3

- Przymocować sterownik do blatu, wkręcając 2 śruby z łbem krzyżakowym za pomocą wiertarki.
- Przykleić samoprzylepne zaciski kablowe pod blatem, aby uporządkować przewody.



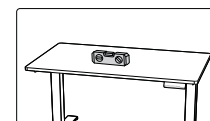
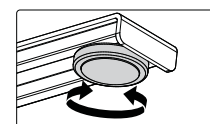
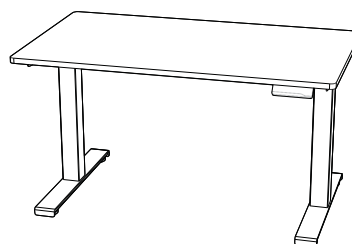
KROK 4

- Podłączyć przewód zasilający do sterownika na podstawie i do gniazda sieciowego.

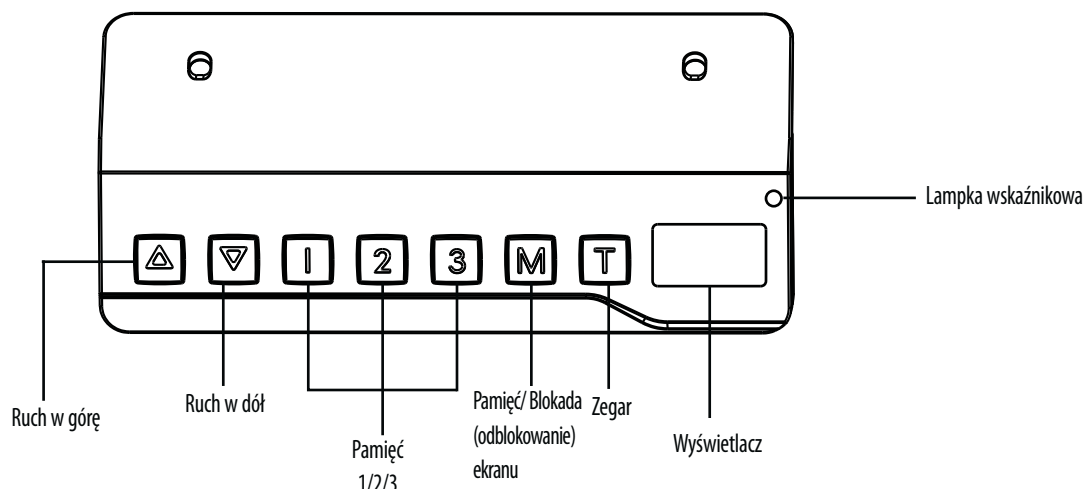


KROK 5

- Pod każdą nóżką znajdują się dwie regulowane podkładki na nóżki. Gdy podłoga jest nierówna, wystarczy obrócić podkładkę, aby dostosować wysokość i ustabilizować całe biurko.



Wskazówka: Korzystając z poziomicy, należy sprawdzić, czy blat jest wyrównany.



1. OBSŁUGA

Po włączeniu systemu zabrmi sygnał dźwiękowy, a wysokość blatu zostanie wyświetlona na sterowniku.



Nacisnąć „▲” lub „▼” i nie zwalniać przycisku, dopóki biurko nie osiągnie żądanej wysokości (wyświetlanej w sterowniku). Jeżeli silnik stosunkowo długo pracuje w trybie ciągłym, uruchomione zostanie zabezpieczenie przed przegrzaniem. Panel sterowania znowu zacznie działać normalnie po około 18 minutach.

TRYB OSZCZĘDZANIA ENERGII – (10 MINUT)

Gdy przez ponad 10 minut nie zostanie podjęte żadne działanie, system przejdzie do trybu oszczędzania energii. Dotknąć dowolnego przycisku, aby przejść do trybu pracy.

2. USTAWIENIA PAMIĘCI

Aby zapisać określoną wysokość w pamięci sterownika, najpierw należy nacisnąć „M”. Zostanie wyświetlona litera „S-”. Teraz przed upływem 5 sekund należy nacisnąć „1”, „2” lub „3”, aby zapisać w pamięci aktualną wysokość. Przyciski „1”, „2”, „3” służą do zapisania różnych wysokości. Po zapisaniu 3 ustawień wysokości w pamięci sterownika można wybrać dowolne z nich, naciskając wybrany przycisk, aż do ustawienia wymaganej wysokości. Aby anulować regulację, należy nacisnąć dowolny przycisk.

3. BLOKOWANIE/ODBLOKOWYWANIE EKRANU

Aby zablokować ekran: nacisnąć „M” i przytrzymać przez 3 sekundy, aż na wyświetlaczu pojawi się „-”. Ekran został zablokowany i nie można przeprowadzać żadnych działań. Aby odblokować ekran: nacisnąć „M” i przytrzymać przez 3 sekundy, aż na wyświetlaczu pojawi się aktualna wysokość.

Uwaga: Należy się upewnić, że funkcja automatycznej blokady jest w pozycji WŁ. Zapoznać z „CZĘŚCIĄ 5 – Przewodnik indywidualnego programowania” i zmienić blokadę ekranu.

4. ZEGAR

Aby ustawić zegar, należy nacisnąć „T”. Na ekranie zacznie migać „0,5 h”, co oznacza 0,5 godziny. Można naciskać raz za razem „T”, aby zwiększać czas o 0,5 godziny po każdym naciśnięciu. Maksymalne ustawienie zegara to 2 godziny. Czas jest ustawiony, gdy cyfra przestaje migać, a dioda w prawym górnym rogu sterownika jest zapalona. Gdy zegar osiąga ustawiony czas, brzęczyk emituje sygnał dźwiękowy, przypominając użytkownikowi o konieczności poprawienia pozycji pracy. Zegar wyłącza się automatycznie po pięciu sygnałach dźwiękowych. Po upływie ustawionego czasu zegar urządzenia jest resetowany. Aby wyłączyć zegar, należy pięć razy nacisnąć przycisk „T”, aż zostanie wyświetlona aktualna wysokość i zgaśnie dioda po prawej górnej stronie sterownika.

5. WYBÓR JEDNOSTKI MIARY: CENTYMETRY I CALE

Wstępnie zaprogramowaną i wyświetlaną na ekranie jednostką miary są centymetry. Aby zmienić centymetry na cale, należy nacisnąć „T” i przytrzymać przez 8 sekund. Gdy sygnał dźwiękowy zabrmi dwukrotnie, pomiar jest pomyślnie resetowany. Aby przełączyć cale z powrotem na centymetry, należy nacisnąć „T” i przytrzymać przez 8 sekund. Jeżeli sygnał dźwiękowy zabrmi raz, system pomyślnie zmienił jednostkę z powrotem na centymetry.

6. RESETOWANIE MODUŁU STERUJĄCEGO

Gdy urządzenie jest włączone, nacisnąć jednocześnie przyciski "▲" oraz "▼" aż zabrmi sygnał dźwiękowy. Biurko zostanie przesunięte w dół do najniższej pozycji, a następnie odrobinę podniesione. Do momentu zakończenia procesu nie należy zwalniać przycisków.

7. ROZWIĄZYWANIE PROBLEMÓW

Nr błędu	Opis	Rozwiązanie	Nr błędu	Opis	Rozwiązanie
E01/E07	Usterka elektryczna	Odłączyć zasilanie na 30 sekund i podłączyć ponownie	E16/E26	Awaria silnika	Zresetować system
E02	Błąd pręta śruby	Zresetować system	E17	Biurko przesuwa się w złym kierunku	Wymienić kabel silnika (M1)
E04	Błąd połączenia sterownika cyfrowego	Sprawdzić połączenie, a następnie ponownie podłączyć zasilanie	E18/E28	Przeciążenie	Zdjąć z blatu przedmioty
E05	System unikania kolizji	Zwolnić przycisk	E21	Brak połączenia	Sprawdzić połączenie (M2)
E06	Usterka elektryczna	Wymienić skrzynkę sterowniczą	E23	Przerwany przewód silnika	Sprawdzić, a następnie wymienić kabel silnika (M2)
E08	Blat jest pochyły	Zresetować system	E24	Przerwany przewód czujnika Halla	Sprawdzić, a następnie wymienić kabel silnika (M2)
E11	Brak połączenia	Sprawdzić połączenie (M1)	E25	Zwarcie	Wymienić silnik (M2)
E12/E22	Prąd o niewłaściwych parametrach	Wymienić skrzynkę sterowniczą	E27	Biurko przesuwa się w złym kierunku	Wymienić kabel silnika (M2)
E13	Przerwany przewód silnika	Sprawdzić, a następnie wymienić kabel silnika (M1)	E42	Błąd funkcji pamięci	Wymienić skrzynkę sterowniczą
E14	Przerwany przewód czujnika Halla	Sprawdzić, a następnie wymienić kabel silnika (M1)	E43	Awaria czujnika systemu unikania kolizji	Wymienić skrzynkę sterowniczą
E15	Zwarcie	Wymienić silnik (M1)			

Uwaga:

1. Funkcja auto-zabezpieczenia: urządzenie przejdzie do trybu ochrony, jeśli system działa ponad dwie minuty z widocznym na wyświetlaczu sterowania komunikatem „GORĄCE” (HOT). System zostanie zresetowany i przywrócony do normalnego działania po około 20 minutach.
2. Tryb zabezpieczenia przed przeciążeniem: podczas pracy, jeśli obciążenie biurka jest zbyt duże, system przejdzie do trybu zabezpieczenia przed przeciążeniem. Pozwoli to zabezpieczyć system przed uszkodzeniami spowodowanymi przekroczeniem dozwolonej wagi. Gdy to nastąpi, biurko zostanie przesunięte w dół o około 30 mm i zostanie zatrzymane z wyświetloną bieżącą wysokością.
3. Uwaga: NIGDY nie należy usuwać ani wyłączać zasilania, aby zresetować urządzenie, gdy znajduje się w trybie zabezpieczającym lub jest „GORĄCE” (HOT).

USTAWIENIA NIESTANDARDOWE

Dotyczy wszystkich poniższych ustawień niestandardowych:

- Jednocześnie nacisnąć przyciski „M” i „T”, a następnie przytrzymać przez 5 sekund, aż brzęczyk wyda jeden dźwięk i pojawi się komunikat „S-1”.
- Jeśli w ciągu 10 sekund nie zostanie podjęte żadne działanie, proces zostanie automatycznie anulowany.
- Proces można w dowolnym momencie anulować ręcznie, naciskając „T”.

Ustawienie niestandardowe 1: Ustawianie wysokości minimalnej i maksymalnej

- Limit wysokości minimalnej: Gdy wyświetlany jest komunikat „S-1”, należy raz nacisnąć „M”, a następnie nacisnąć „▲” lub „▼”, aby ustawić żądaną wysokość minimalną. Nacisnąć „M”, aby zapisać: „L-S” = Powodzenie, „L-F” = Wymagana ponowna próba.
- Limit wysokości maksymalnej: Gdy wyświetlany jest komunikat „S-1”, nacisnąć „▲”, aż do pojawienia się „S-2”. Należy raz nacisnąć „M”, a następnie nacisnąć „▲” lub „▼”, aby ustawić żądaną wysokość maksymalną. Nacisnąć „M”, aby zapisać: „H-S” = Powodzenie, „H-F” = Wymagana ponowna próba.

Uwaga: Domyślna wysokość minimalna wynosi 62 cm (24,4"), natomiast zakres regulacji to 62–118 cm (24,4–46,4"). Domyślna wysokość maksymalna wynosi 128 cm (50,4"), natomiast zakres regulacji to 72–128 cm (28,3–50,4").

Ustawienie niestandardowe 2: Dostosowywanie czułości antykolizyjnej

- Dostosować czułość ruchu w górę: Gdy wyświetlany jest komunikat „S-1”, naciśnąć „▲”, aż do pojawienia się „S-3”. Raz naciśnąć „M”, a następnie naciśnąć „▲” lub „▼”, aby dostosować poziom czułości. Domyślna czułość wynosi 2, a zakres regulacji to 0–8 (0 = pozycja wyłączona, 8 = wartość maksymalna). Naciśnięcie „M”, aby zapisać: „S-S” = Powodzenie, „S-F” = Wymagana ponowna próba.
- Dostosować czułość ruchu w dół: Gdy wyświetlany jest komunikat „S-1”, naciśnąć „▲”, aż do pojawienia się „S-4”. Raz naciśnąć „M”, a następnie naciśnąć „▲” lub „▼”, aby dostosować poziom czułości. Domyślna czułość wynosi 2, a zakres regulacji to 0–8 (0 = pozycja wyłączona, 8 = wartość maksymalna). Naciśnięcie „M”, aby zapisać: „S-S” = Powodzenie, „S-F” = Wymagana ponowna próba.

Ustawienie niestandardowe 3: Dostosowywanie czułości nachylenia błatu

- Dostosowanie czułości ruchu w górę: Gdy wyświetlany jest komunikat „S-1”, naciśnąć „▲”, aż do pojawienia się „S-5”. Raz naciśnąć „M”, a następnie naciśnąć „▲” lub „▼”, aby dostosować poziom czułości. Domyślna czułość wynosi 2, a zakres regulacji to 0–8 (0 = pozycja wyłączona, 8 = wartość maksymalna). Naciśnięcie „M”, aby zapisać: „S-S” = Powodzenie, „S-F” = Wymagana ponowna próba.

Ustawienie niestandardowe 4: Ustawianie wyświetlania wysokości z białem/ bez błatu

- Gdy wyświetlany jest komunikat „S-1”, naciśnąć „▲”, aż do pojawienia się „S-6”. Raz naciśnąć „M”, a następnie naciśnąć „▲” lub „▼”, aby wprowadzić grubość błatu. Naciśnięcie „M”, aby zapisać: „T-S” = Powodzenie, „T-F” = Wymagana ponowna próba.

Ustawienie niestandardowe 5: Automatyczne blokowanie/ odblokowywanie wyświetlacza

- Gdy wyświetlany jest komunikat „S-1”, naciśnąć „▲”, aż do pojawienia się „S-7”. Raz naciśnąć „M”, a następnie naciśnąć „▲” lub „▼”, aby włączyć blokadę automatyczną (1) lub wyłączyć blokadę automatyczną (0). Naciśnięcie „M”, aby zapisać: „A-S” = Powodzenie, „S-F” = Wymagana ponowna próba.

Aby zresetować ustawienia niestandardowe, należy jednocześnie naciśnąć „M”, „T” oraz „▲” i przytrzymać przez 5 sekund, aż zabrzmie sygnał dźwiękowy.

PODSTAWA DO BIURKA LEVADO™ Z REGULACJĄ WYSOKOŚCI – OGRANICZONA GWARANCJA

Fellowes, Inc. (dalej: „Spółka”) udziela gwarancji dotyczącej podstawy do biurka Cambio™ z regulacją wysokości (dalej: „Produkt”) na brak wad materiałowych i wad wykonania oraz na czas określony poniżej.

W przypadku ramy jest to okres 15 (piętnastu) lat od dnia pierwotnego zakupu produktu.

Na wszystkie elementy elektryczne udziela się gwarancji na okres 7 (słownie: siedmiu) lat od dnia pierwotnego zakupu produktu.

Niniejsza gwarancja obowiązuje przez wyszczególniony okres gwarancji, jedynie w przypadku kupna pierwotnego oraz zgodnie z warunkami określonymi w gwarancji. Gwarancja nie obejmuje wad, które powstały w wyniku nieprawidłowego użytkowania, niezastosowania się do instrukcji instalacji i użytkowania, zaniedbania, wykorzystania niedozwolonych dodatków, użytku komercyjnego, zastosowania niewłaściwego napięcia lub prądu oraz napraw wykonywanych poza autoryzowanym serwisem w okresie gwarancji.

OKRES OBOWIĄZYWANIA WSZEKICH GWARANCJI DOROZUMIANYCH, W TYM MIĘDZY INNYMI DOROZUMIANYCH GWARANCJI PRZYDATNOŚCI HANDLOWEJ I PRZYDATNOŚCI DO OKREŚLONEGO CELU, JEST JEDNOZNACZNIE OGRANICZONY DO OKRESU NINIEJSZEJ GWARANCJI.

O ILE Z PRZEPISÓW OBOWIĄZUJĄCEGO PRAWA NIE WYNIKA INACZEJ, WYŁĄCZNE ŚRODKI NAPRAWCZE PRZYSŁUGUJĄCE KLIENTOWI Z TYTUŁU NARUSZENIA NINIEJSZEJ GWARANCJI LUB JAKIEJKOLWIEK GWARANCJI DOROZUMIANEJ LUB INNEGO ZOBOWIĄZANIA WYNIKAJĄCEGO Z DZIAŁANIA PRAWA LUB W INNY SPOSÓB OGRANICZAJĄ SIĘ DO NAPRAWY, WYMIANY LUB ZWROTU RÓWNOWARTOŚCI CENY ZAKUPU, WEDŁUG WŁASNEGO UZNANIA FIRMY.

ANI FIRMA, ANI JEJ PODMIOTY STOWARZYSZONE, PODMIOTY ZALEŻNE, PODMIOTY POWIĄZANE, SPRZEDAWCY ANI ICH ODPOWIEDNI PRZEDSTAWICIELE, DYREKTORZY ANI PRACOWNICY, ANI TEŻ OSOBY, ZA KTÓRE SĄ ONI USTAWOWO ODPOWIEDZIALNI, W ŻADNYCH OKOLICZNOŚCIACH NIE PONOSZĄ ODPOWIEDZIALNOŚCI ZA WTÓRNE ANI PRZYPADKOWE SZKODY PONIESIONE W ZWIĄZKU Z UŻYTKOWANIEM PRODUKTU. FIRMA I TAKIE INNE STRONY NIE PRZYJMĄ ANI NIE UPOWAŻNIAJĄ PRZEDSTAWICIELA LUB INNYCH OSÓB DO PRZYJĘCIA W IMIENIU KTÓREJKOLWIEK Z NICH JAKIKOLWIEK ZOBOWIĄZAŃ INNYCH NIŻ TE, KTÓRE SĄ WYRAŹNIE OKREŚLONE W NINIEJSZEJ UMOWIE.

Okres obowiązywania i warunki niniejszej gwarancji zachowują ważność na całym świecie z wyjątkiem sytuacji, gdy lokalne prawo nakłada inne ograniczenia lub warunki.

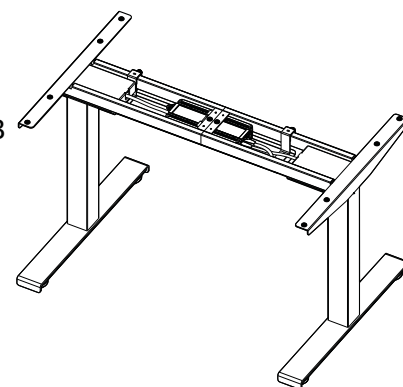
ИНСТРУКЦИИ ПО ТЕХНИКЕ БЕЗОПАСНОСТИ/ПРЕДУПРЕЖДЕНИЕ

ВНИМАНИЕ! ВАЖНЫЕ ПРАВИЛА ТЕХНИКИ БЕЗОПАСНОСТИ — прочтите перед использованием!

- **ВНИМАНИЕ!** Соблюдайте осторожность при поднимании! Для перемещения рабочего стола нужны **два человека**. Неправильное обращение может привести к серьезным травмам.
- **НЕ ПРЕВЫШАЙТЕ УКАЗАННОЙ МАКСИМАЛЬНОЙ ГРУЗОПОДЪЕМНОСТИ. ЭТО МОЖЕТ ПРИВЕСТИ К СЕРЬЕЗНЫМ ТРАВМАМ ИЛИ ПОВРЕЖДЕНИЮ ИМУЩЕСТВА.**
- Не пользуйтесь рабочим столом в случае повреждения или неисправности какой-либо детали.
- Уберите препятствия на пути перемещения рабочего стола.
- Не размещайте под рабочим столом предметы выше 558 мм (22 дюймов).
- Убедитесь в том, что расстояние от рабочего стола до окружающих предметов и стен составляет не менее 25 мм (1 дюйма).
- Не садитесь и не становитесь на стол.
- Не разбирайте ножки стола, блок управления или регулирующее устройство. Это может привести к серьезным травмам.
- Длина всех шнуров должна быть достаточной с учетом регулирования высоты. Соблюдайте инструкции по прокладке шнуров, приведенные в данном руководстве. Несоблюдение этих инструкций может привести к повреждению оборудования или травме.
- Не допускайте попадания жидкости на электрические компоненты. Очищайте электрические компоненты только сухой тканью.
- Устройство предназначено для использования исключительно в помещении.
- Обеспечьте расположение шнура питания вдали от источников тепла.
- Перед перемещением или техническим обслуживанием отключите стол от сети.
- Перед перемещением удалите со стола все оборудование и принадлежности.
- Не позволяйте детям находиться под столом или играть с подвижными деталями.

Максимальный вес со столешницей

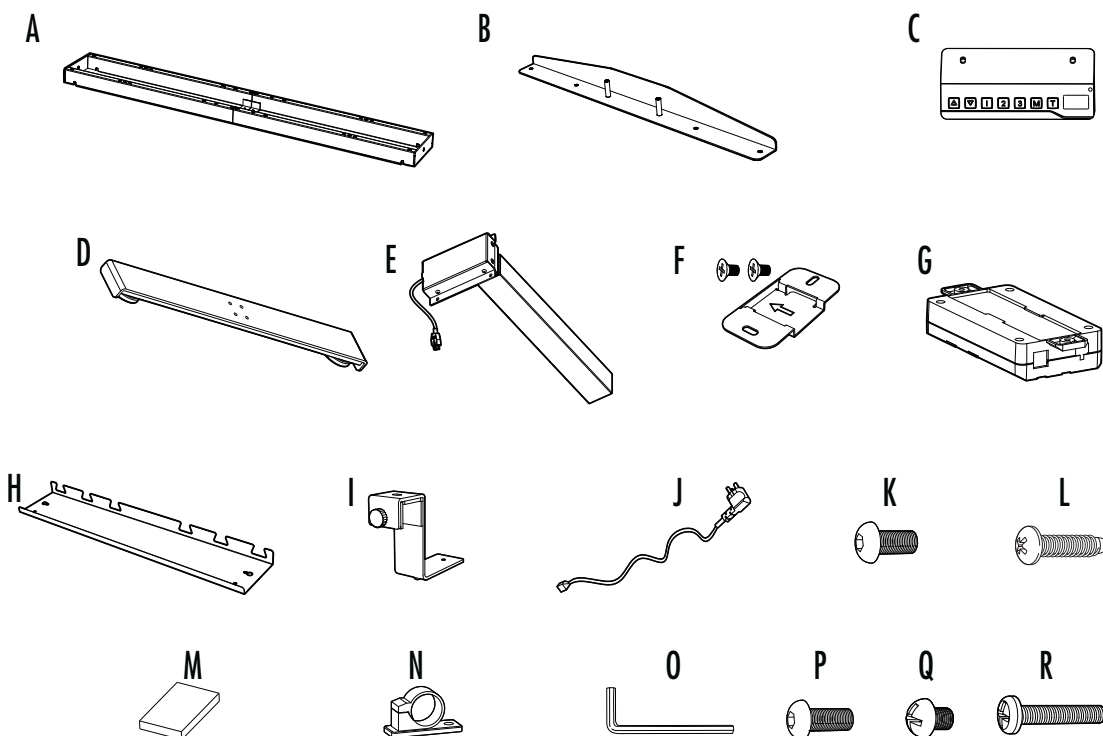
≤ 100 кг
≤ 220 фунтов



Технические характеристики	
Напряжение	100–240 В
Частота	50/60 Гц
Сила тока (А)	5 А
Мощность	200 Вт

ПЕРЕЧЕНЬ ДЕТАЛЕЙ (Примечание: может прилагаться дополнительное оборудование)

- A Поперечная штанга, 1 шт.
- B Боковой кронштейн, 2 шт.
- C Пульт управления, 1 шт.
- D Ножка опоры, 2 шт.
- E Подъемная колонна, 2 шт.
- F Крепежная пластина, 1 шт.
+ Винт с крестообразным шлицем, 2 шт.
- G Блок управления, 1 шт.
- H Кабель - канал, 1 шт.
- I Скоба, 2 шт.
- J Кабель питания
- K Винт с шестигранной головкой М6х10, 8 шт.
- L Винт Phillips с круглой головкой М6, 12 шт.
- M Виброизолирующая прокладка, 12 шт.
- N Кабельный зажим, 3 шт.
- O Шестигранный ключ диаметром 5 мм, 1 шт.
- P Винт с шестигранной головкой М6х16, 8 шт.
- Q Винт с крестообразным шлицем, 4 шт.
- R Винт с крестообразным шлицем М3, 2 шт.



Вам также понадобятся

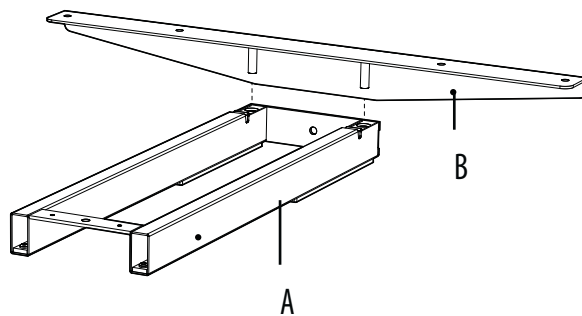
Крестообразная отвертка

ШАГ 1

Монтаж боковых кронштейнов

- Положите столешницу на мягкую чистую поверхность лицевой стороной вниз.
- Распакуйте поперечную штангу и аккуратно положите ее на пол.
- Прикрепите боковой кронштейн к концу поперечной штанги.
- Повторите эти же действия для монтажа другого бокового кронштейна.

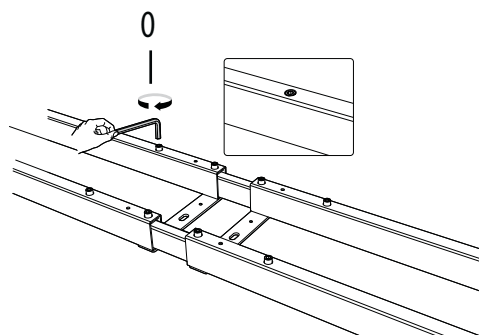
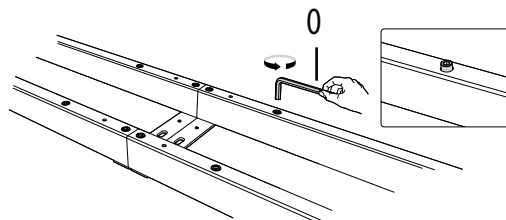
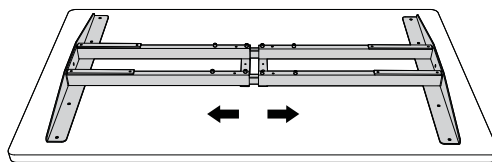
* Примечание. Во время установки поперечная штанга и боковые кронштейны должны быть обращены лицевой стороной вверх.



ШАГ 2

Отрегулируйте положение рамы, прежде чем прикрепить ее к столу.

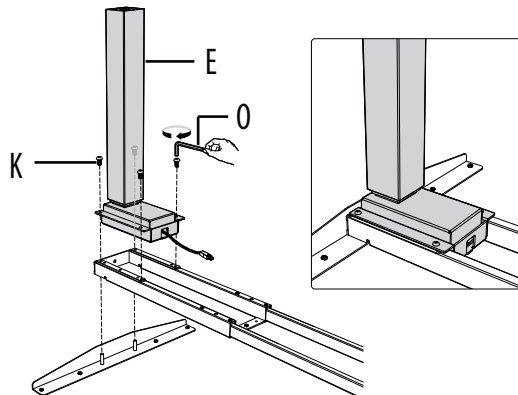
- Установите окончательную длину перекрестных каналов.
- Используйте шестигранный ключ диаметром 5 мм, чтобы ослабить установочные винты (8 шт.) на внутренней стороне перекрестных каналов.
- Убедитесь, что верхние опоры с каждой стороны находятся на одном уровне с готовыми отверстиями на раме.
- После надлежащей регулировки снова затяните установочные винты (8 шт.) с помощью шестигранного ключа на 5 мм.



ШАГ 3

Выполните монтаж подъемных колонн.

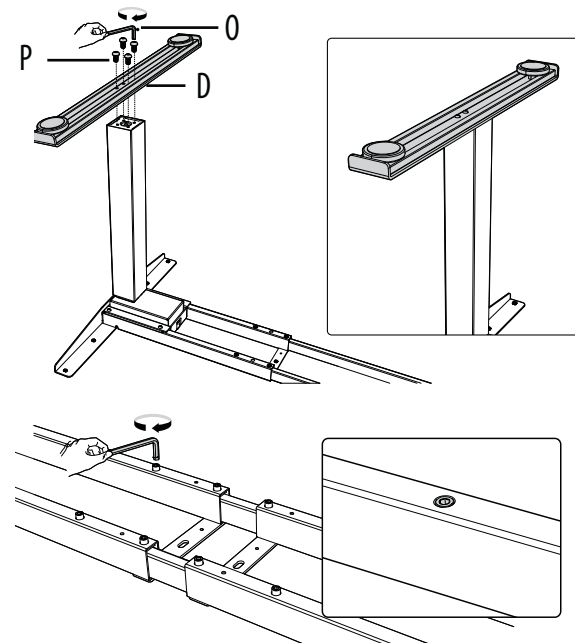
- Снимите столешницу для установки других компонентов.
- Поместите две подъемные колонны по краям поперечной штанги так, чтобы верхние части подъемных колонн были направлены внутрь. Монтажные отверстия в подъемных колоннах должны полностью совпадать с резьбовыми отверстиями на поперечной штанге.
- Используя шестигранный ключ, прикрепите подъемную колонну и боковой кронштейн к поперечной штанге с помощью 4 винтов с шестигранной головкой **M6x10**.
- Повторите эти действия для монтажа другой подъемной колонны.



ШАГ 4

Выполните монтаж ножек.

- Поместите ножку на нижнюю часть подъемной колонны. Совместите монтажные отверстия на ножке с резьбовыми отверстиями на подъемной колонне.
- Используя шестигранный ключ, закрепите ножку с помощью 4 винтов с шестигранной головкой **M6x16**.
- Повторите эти действия для монтажа другой ножки.
- Для завершения регулировки затяните все винты с шестигранной головкой.

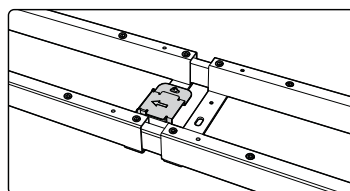


ШАГ 5

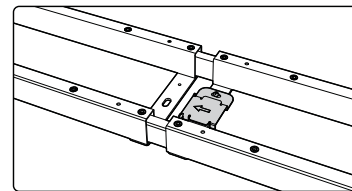
Выполните монтаж крепежной пластины.

- Совместите монтажные отверстия на крепежной пластине с резьбовыми отверстиями, как показано на рисунке.
- Используя крестообразную отвертку, прикрепите крепежную пластину в центре поперечной штанги с помощью 2 винтов с крестообразным шлицем. Крепежную пластину можно прикрепить к правой или левой стороне.

*Примечание. Стрелка на крепежной пластине указывает направление скольжения в блоке управления. Для монтажа блока управления при выполнении следующего шага ориентируйтесь на направления, указанные стрелками.



ИЛИ



ШАГ 6

Крепление кабелей

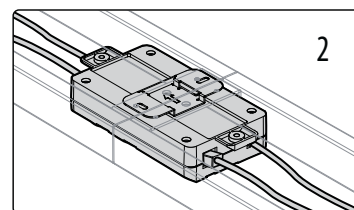
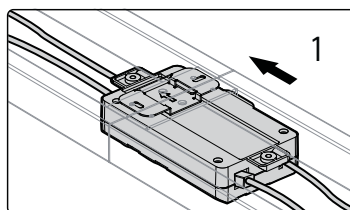
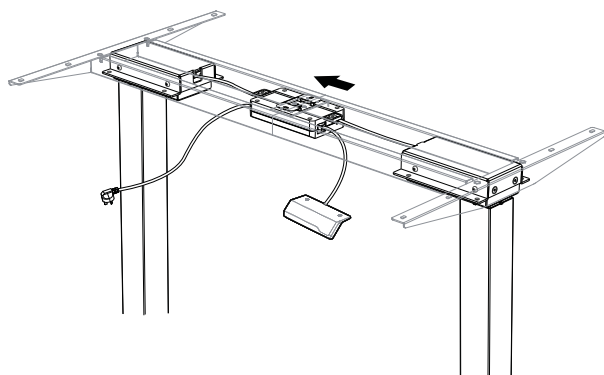
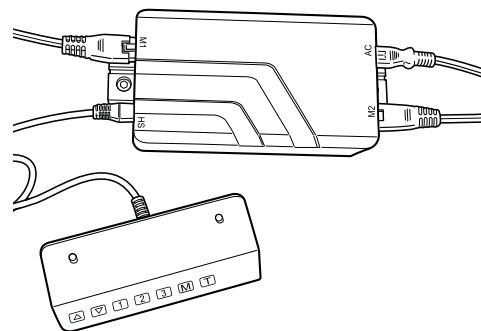
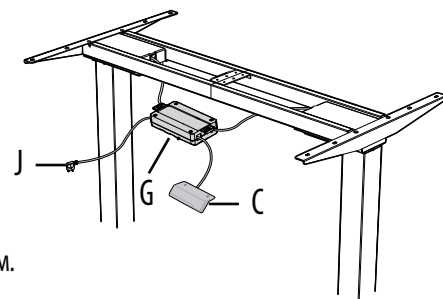
Переверните раму стола так, чтобы поперечная штанга была направлена вверх.

Для переворачивания рамы стола **требуется не менее** двух человек.

⚠ ПРЕДУПРЕЖДЕНИЕ Самостоятельное переворачивание рамы может привести к серьезным травмам.

- Подсоедините два кабеля двигателя к двум портам с обеих сторон блока управления с пометками «M1» и «M2».
- Подсоедините кабель пульта управления к порту с пометкой «HS».
- Вставьте кабель питания в порт с пометкой «AC».
- Совместите крепежную пластину с правым концом слота блока управления. Задвиньте блок управления в крепежную пластину с левой стороны до упора.

*Примечание. Слот блока управления должен быть направлен вверх. Между двумя портами и двумя подъемными колоннами связь отсутствует.

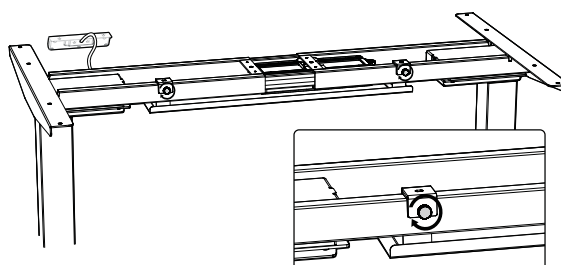
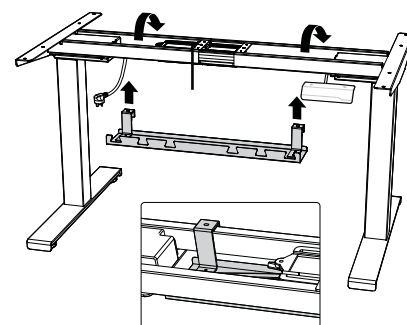
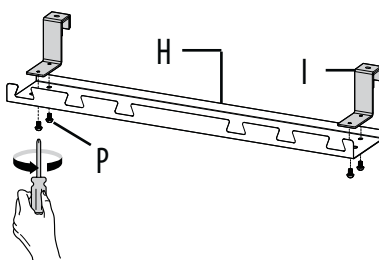


**Примечание. Изображение пульта управления (контроллера) приведено только для справки. Внешний вид реального изделия может отличаться от изображенного на рисунке.

УСТАНОВКА КОМПЛЕКТУЮЩИХ. КАБЕЛЬ - КАНАЛ

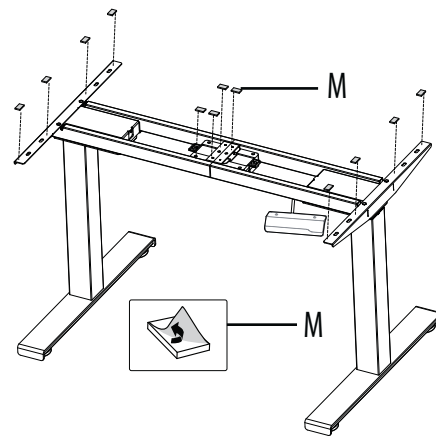
Кабель - канал

- Совместите монтажные отверстия на держателях кабель - канала с резьбовыми отверстиями на кабель - канала. Используя крестообразную отвертку, выполните монтаж держателей кабель - канала с помощью 4 винтов с крестообразным шлицем снизу.
- Повесьте кабель - канала на поперечную штангу.
- Затяните винты на держателях кабель - канала.



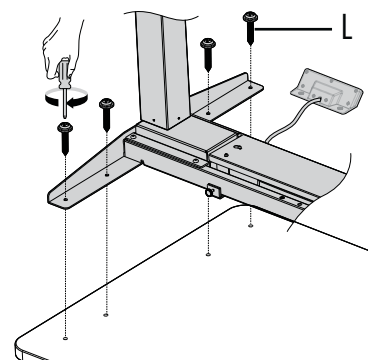
ШАГ 1

- Прикрепите виброизолирующие прокладки к поверхности поперечной штанги в 12 точках, как показано на рисунке.



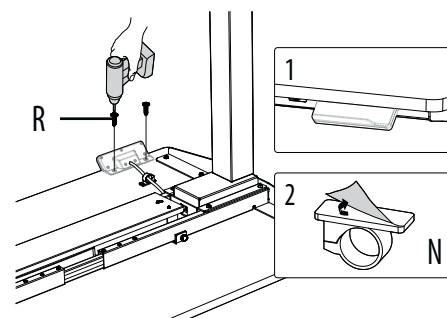
ШАГ 2

- Совместите готовые резьбовые отверстия с крепежными отверстиями на поперечной штанге. Вставьте и затяните 4 винта с крестообразным шлицем.
- Повторите эти действия, чтобы затянуть крепления с другой стороны рабочего стола.



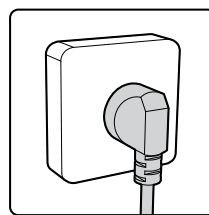
ШАГ 3

- Используя шуруповерт, прикрепите пульт управления к рабочему столу с помощью 2 винтов с крестообразным шлицем.
- Закрепите под столом кабельные зажимы с клеящей поверхностью для крепления кабелей.



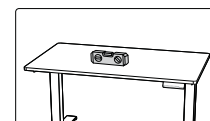
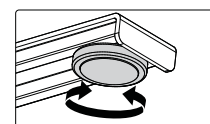
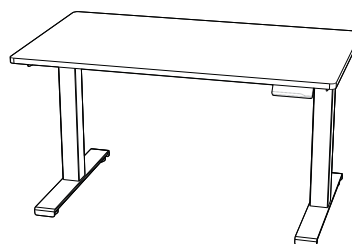
ШАГ 4

- Подключите кабель питания к блоку управления установленному на основании стола, и к розетке.

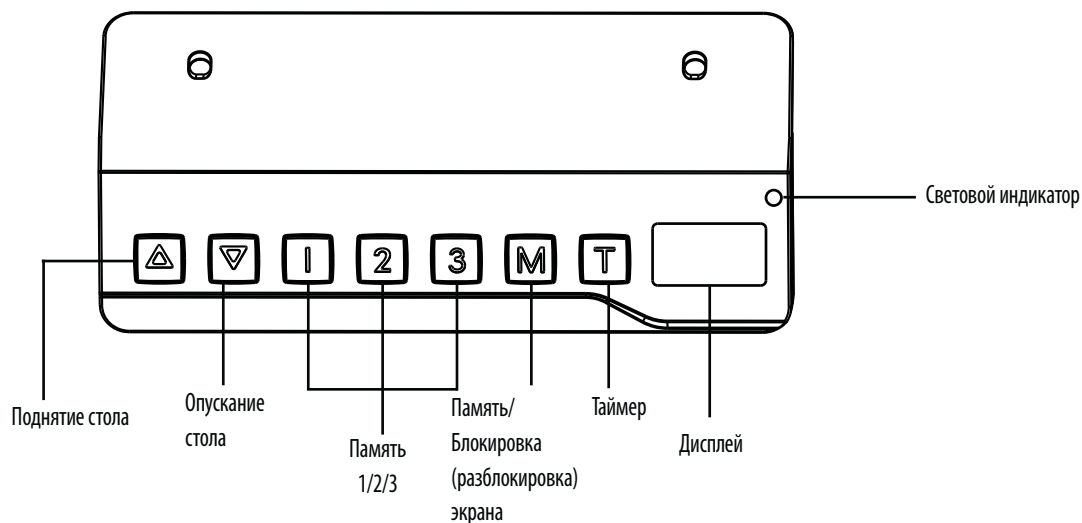


ШАГ 5

- Под каждой ножкой расположены две регулировочных диска. Если пол неровный, просто поворачивайте диск, чтобы отрегулировать высоту и обеспечить устойчивость стола.





Совет: чтобы обеспечить ровное положение стола, используйте пузырьковый уровень.



1. ОБЩИЕ УКАЗАНИЯ ПО ЭКСПЛУАТАЦИИ

При подключении системы к сети вы услышите звуковой сигнал, и на пульте управления будет отображена текущая высота рабочего стола.

 Поднятие стола  Опускание стола

Нажмите «» или «» и удерживайте, пока стол не будет установлен на нужной высоте (отображается на пульте управления). Если двигатель непрерывно работает в течение сравнительно длительного времени, активируется защита от перегрева. Панель управления снова начнет работать в нормальном режиме примерно через 18 минут.

РЕЖИМ ЭНЕРГОСБЕРЕЖЕНИЯ (10 МИНУТ)

Если в течение 10 минут не выполняются никакие действия, система переходит в режим энергосбережения. Чтобы вернуться в режим работы, нажмите любую кнопку.

2. НАСТРОЙКА ПАМЯТИ

Для сохранения определенной высоты в памяти пульта управления сначала нажмите «M». На экране появится буква «S-». Теперь нажмите кнопку «1», «2» или «3» и удерживайте в течение 5 секунд для сохранения текущей высоты в памяти. С помощью кнопок «1», «2» или «3» можно фиксировать разные параметры высоты. Вы можете выбрать любую из 3 настроек высоты, сохраненных в памяти пульта управления, нажимая соответствующую кнопку для достижения установленной высоты. Чтобы отменить настройку, нажмите любую кнопку.

3. БЛОКИРОВКА/РАЗБЛОКИРОВКА ЭКРАНА

Чтобы заблокировать экран, нажмите кнопку «M» и удерживайте в течение 3 секунд — на дисплее появится «---». Экран заблокирован, и операции выполняться не будут. Чтобы разблокировать экран, нажмите кнопку «M» и удерживайте в течение 3 секунд — на дисплее отобразится текущая высота.

Примечание. Убедитесь, что функция автоматической блокировки включена. См. «ЧАСТЬ 5. Руководство по индивидуальному программированию» и измените блокировку экрана.

4. ТАЙМЕР

Для установки таймера нажмите кнопку «T». На дисплее будет мигать надпись «0.5h», что означает 0,5 часа. Повторно нажимайте кнопку «T», чтобы увеличить величину на 0,5 часа за раз. Максимальное значение времени при настройке таймера составляет 2 часа. Время таймера считается установленным, когда цифра перестала мигать и в правом верхнем углу пульта управления загорелся индикатор. По достижении установленного времени устройство уведомления издает звуковой сигнал, напоминая пользователю о необходимости изменения рабочего положения. Таймер выключится автоматически после воспроизведения пяти звуковых сигналов. По истечении установленного времени функция таймера устройства выключится. Чтобы отключить таймер, нажмите кнопку «T» пять раз, пока не отобразится текущая высота и индикатор в правой верхней части пульта управления не погаснет.

5. ПЕРЕКЛЮЧЕНИЕ ОТОБРАЖЕНИЯ ВЕЛИЧИН В СМ/ДЮЙМАХ

Предварительно установленная единица измерения, отображаемая на дисплее, — сантиметры. При необходимости переключения с сантиметров на дюймы нажмите кнопку «T» и удерживайте в течение 8 секунд. Двукратный звуковой сигнал свидетельствует об успешном изменении единицы измерения. При необходимости переключения с дюймов обратно на сантиметры нажмите кнопку «T» и удерживайте в течение 8 секунд. Однократный звуковой сигнал свидетельствует об успешном переключении системы обратно на сантиметры.

6. СБРОС НАСТРОЕК БЛОКА УПРАВЛЕНИЯ

На включенном устройстве одновременно нажмите кнопки "▲" и "▼" пока не прозвучит звуковой сигнал. Стол опустится в самое нижнее положение, затем немного поднимется. Не отпускайте кнопки до завершения процесса.

7. ПОИСК И УСТРАНЕНИЕ НЕИСПРАВНОСТЕЙ

№ ошибки	Описание	Решение	№ ошибки	Описание	Решение
E01/E07	Электрическая неисправность	Отключите кабель питания на 30 секунд и снова подключите	E16/E26	Неисправность двигателя	Перезагрузите систему
E02	Неисправность резьбового стержня	Перезагрузите систему	E17	Движение стола в неправильном направлении	Замените шнур двигателя (M1)
E04	Ошибка при подключении пульта управления	Проверьте подключение, затем снова подключите питание	E18/E28	Весовая перегрузка стола	Освободите поверхность рабочего стола от лишних предметов
E05	Система предотвращения столкновений	Отпустите кнопку	E21	Нет соединения	Проверьте соединение (M2)
E06	Электрическая неисправность	Замените блок управления	E23	Обрыв провода двигателя	Проверьте и замените кабель двигателя (M2)
E08	Наклон рабочего стола	Перезагрузите систему	E24	Обрыв провода Холла	Проверьте и замените кабель двигателя (M2)
E11	Нет соединения	Проверьте соединение (M1)	E25	Короткое замыкание	Замените двигатель (M2)
E12/E22	Аномальный показатель силы тока	Замените блок управления	E27	Движение стола в неправильном направлении	Замените шнур двигателя (M2)
E13	Обрыв провода двигателя	Проверьте и замените кабель двигателя (M1)	E42	Сбой функции памяти	Замените блок управления
E14	Обрыв провода Холла	Проверьте и замените кабель двигателя (M1)	E43	Сбой датчика системы предотвращения столкновений	Замените блок управления
E15	Короткое замыкание	Замените двигатель (M1)			

Примечание.

1. Функция самозащиты: устройство переходит в защитный режим, если система работает более двух минут, когда на дисплее управления отображается обозначение «НОТ». Система перезагрузится и вернется в нормальный режим работы примерно через 20 минут.
2. Режим защиты от перегрузки: если нагрузка на стол во время работы превышает максимальную грузоподъемность, система переходит в режим защиты от перегрузки. Это защищает систему от повреждений, вызванных превышением веса. В этом случае столешница опустится примерно на 30 мм, на дисплее отобразится текущая высота.
3. Внимание: НИКОГДА не отключайте питание для перезагрузки устройства, когда оно работает в защитном режиме или в состоянии «НОТ».

ПОЛЬЗОВАТЕЛЬСКИЕ НАСТРОЙКИ

Для всех нижеуказанных пользовательских настроек:

- Нажмите кнопки «M» и «T» одновременно и удерживайте в течение 5 секунд, пока устройство уведомления не издаст один звуковой сигнал и на дисплее не отобразится надпись «S-1».
- При отсутствии каких-либо других действий в течение 10 секунд процесс будет автоматически отменен.
- Процесс можно отменить вручную, нажав кнопку «T» в любой момент.

Пользовательская настройка 1: настройки минимальной и максимальной высоты

- Предел минимальной высоты: пока отображается «S-1», нажмите кнопку «M» один раз, а затем нажмите кнопку «▲» или «▼», чтобы установить нужную минимальную высоту. Нажмите кнопку «M», чтобы сохранить: надпись «LS» = операция успешна, надпись «LF» = повторите попытку.
- Предел максимальной высоты: пока отображается надпись «S-1», нажмите кнопку «▲», пока не появится надпись «S-2». Нажмите кнопку «M» один раз, а затем нажмите «▲» или «▼», чтобы установить нужную максимальную высоту. Нажмите кнопку «M», чтобы сохранить: надпись «H-S» = операция успешна, надпись «H-F» = повторите попытку.

Примечание. Минимальная высота по умолчанию составляет 62 см (24,4 дюйма), а диапазон регулировки составляет 62–118 см (24,4 дюйма – 46,4 дюйма). Максимальная высота по умолчанию составляет 128 см (50,4 дюйма), а диапазон регулировки составляет 72–128 см (28,3 дюйма – 50,4 дюйма).

Пользовательская настройка 2: настройка чувствительности для предотвращения столкновений

- Регулировка чувствительности при поднимании: во время отображения надписи «S-1» нажимайте кнопку «▲», пока не отобразится надпись «S-3». Нажмите кнопку «M» один раз, а затем нажмите «▲» или «▼», чтобы изменить уровень чувствительности. Чувствительность по умолчанию составляет 2, а регулируемый диапазон — 0–8 (0 = выкл., 8 = макс.). Нажмите кнопку «M», чтобы сохранить: надпись «S-5» = операция успешна, надпись «SF» = повторите попытку.
- Регулировка чувствительности при опускании: во время отображения надписи «S-1» нажимайте кнопку «▲», пока не отобразится надпись «S-4». Нажмите кнопку «M» один раз, а затем нажмите «▲» или «▼», чтобы изменить уровень чувствительности. Чувствительность по умолчанию составляет 2, а регулируемый диапазон — 0–8 (0 = выкл., 8 = макс.). Нажмите кнопку «▲», чтобы сохранить: надпись «S-5» = операция успешна, надпись «SF» = повторите попытку.

Пользовательская настройка 3: настройка чувствительности наклона стола

- Регулировка чувствительности при поднимании: во время отображения надписи «S-1» нажимайте кнопку «▲», пока не отобразится надпись «S-5». Нажмите кнопку «M» один раз, а затем нажмите «▲» или «▼», чтобы изменить уровень чувствительности. Чувствительность по умолчанию составляет 2, а регулируемый диапазон — 0–8 (0 = выкл., 8 = макс.). Нажмите кнопку «M», чтобы сохранить: надпись «S-5» = операция успешна, надпись «SF» = повторите попытку.

Пользовательская настройка 4: настройка отображения высоты стола со столешницей/без столешницы

- Во время отображения надписи «S-1» нажимайте кнопку «▲», пока не отобразится надпись «S-6». Нажмите кнопку «M» один раз, а затем нажмите «▲» или «▼» для установки толщины столешницы. Нажмите кнопку «M», чтобы сохранить: надпись «T-S» = операция успешна, надпись «T-F» = повторите попытку.

Пользовательская настройка 5: автоматическая блокировка/разблокировка экрана

- Во время отображения надписи «S-1» нажимайте кнопку «▲», пока не отобразится надпись «S-7». Нажмите кнопку «M» один раз, а затем нажмите «▲» или «▼», чтобы включить (1) или отключить (0) автоматическую блокировку. Нажмите кнопку «M», чтобы сохранить: надпись «A-S» = операция успешна, надпись «A-F» = повторите попытку.

Чтобы сбросить пользовательские настройки, нажмите «M», «T» и «▲» одновременно и удерживайте в течение 5 секунд, пока не прозвучит звуковой сигнал.

ОГРАНИЧЕННАЯ ГАРАНТИЯ НА ОСНОВАНИЕ СТОЛА С РЕГУЛИРОВКОЙ ВЫСОТЫ CAMBIO™ ОТ КОМПАНИИ FELLOWES

Fellowes, Inc. (далее — «Компания») гарантирует отсутствие дефектов материала и качества изготовления основания стола с регулировкой высоты Cambio («Продукт») в течение времени, указанного ниже.

Срок гарантии на раму конструкции составляет 15 (пятнадцать) лет с даты первичного приобретения продукта.

Срок гарантии на все электрические компоненты составляет 7 (семь) лет с даты первичного приобретения продукта.

Настоящая гарантия предоставляется только первоначальному покупателю и не распространяется на претензии, возникшие в результате ненадлежащего использования, несоблюдения инструкций по установке и использованию, халатности, использования недопустимых комплектующих, коммерческого использования, использования с уровнем тока или напряжения, отличным от указанного на продукте, или несанкционированного технического обслуживания в течение гарантийного срока в условиях, на которые при других обстоятельствах распространяется гарантия.

СРОК ДЕЙСТВИЯ ЛЮБОЙ ПОДРАЗУМЕВАЕМОЙ ГАРАНТИИ, ВКЛЮЧАЯ, ПОМИМО ПРОЧЕГО, ЛЮБЫЕ ПОДРАЗУМЕВАЕМЫЕ ГАРАНТИИ ТОВАРНОГО КАЧЕСТВА ИЛИ ПРИГОДНОСТИ ДЛЯ ИСПОЛЬЗОВАНИЯ ПО НАЗНАЧЕНИЮ, ПРЯМО ОГРАНИЧЕН СРОКОМ ДЕЙСТВИЯ НАСТОЯЩЕЙ ОГРАНИЧЕННОЙ ГАРАНТИИ.

ЕСЛИ ЭТО НЕ ПРОТИВОРЕЧИТ ПРИМЕНИМОМУ ЗАКОНОДАТЕЛЬСТВУ, ИСКЛЮЧИТЕЛЬНОЕ СРЕДСТВО ПРАВОВОЙ ЗАЩИТЫ ЗАКАЗЧИКА В ОТНОШЕНИИ НАРУШЕНИЯ НАСТОЯЩЕЙ ГАРАНТИИ, ЛЮБОЙ ПОДРАЗУМЕВАЕМОЙ ГАРАНТИИ ИЛИ ЛЮБОГО ДРУГОГО ОБЯЗАТЕЛЬСТВА, ВОЗНИКАЮЩЕГО В СИЛУ ЗАКОНА ИЛИ НА ИНЫХ ОСНОВАНИЯХ, ОГРАНИЧЕНО, КАК УКАЗАНО В НАСТОЯЩЕМ ДОКУМЕНТЕ, РЕМОНТОМ, ЗАМЕНОЙ ИЛИ ВОЗМЕЩЕНИЕМ ЦЕНЫ ПОКУПКИ, НА ИСКЛЮЧИТЕЛЬНОЕ УСМОТРЕНИЕ КОМПАНИИ.

НИ ПРИ КАКИХ ОБСТОЯТЕЛЬСТВАХ КОМПАНИЯ, ЕЕ АФФИЛИРОВАННЫЕ СТРУКТУРЫ, ДОЧЕРНИЕ КОМПАНИИ, СВЯЗАННЫЕ ЮРИДИЧЕСКИЕ ЛИЦА, ТОРГОВЫЕ ПОСРЕДНИКИ ИЛИ ИХ СООТВЕТСТВУЮЩИЕ РУКОВОДИТЕЛИ, ДИРЕКТОРА, СОТРУДНИКИ ИЛИ ЛИЦА, ПЕРЕД КОТОРЫМИ ОНИ ОТВЕТСТВЕННЫ ПО ЗАКОНУ, НЕ НЕСУТ ОТВЕТСТВЕННОСТИ ЗА КОСВЕННЫЕ ИЛИ СЛУЧАЙНЫЕ УБЫТКИ, ПОНЕСЕННЫЕ В СВЯЗИ С ПРОДУКТОМ. КОМПАНИЯ И УКАЗАННЫЕ ДРУГИЕ СТОРОНЫ НЕ ПРИНИМАЮТ НА СЕБЯ И НЕ РАЗРЕШАЮТ НИКАКОМУ ПРЕДСТАВИТЕЛЮ ИЛИ ДРУГОМУ ЛИЦУ ПРИНИМАТЬ НА СЕБЯ КАКИЕ-ЛИБО ОБЯЗАТЕЛЬСТВА ИЛИ ОТВЕТСТВЕННОСТЬ, ОТЛИЧНЫЕ ОТ ПРЯМО ПРЕДУСМОТРЕННЫХ В НАСТОЯЩЕМ ДОКУМЕНТЕ.

Срок действия и условия данной гарантии действительны по всему миру, кроме тех стран, где местное законодательство может налагать иные ограничения или условия.

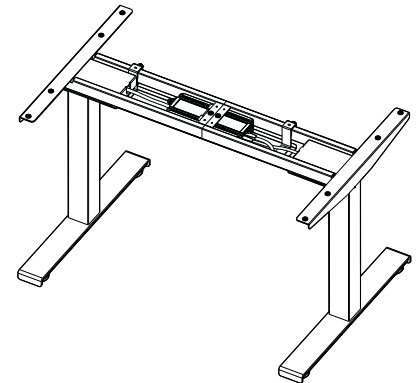
INSTRUÇÕES E ALERTA DE SEGURANÇA

AVISO: INSTRUÇÕES DE SEGURANÇA IMPORTANTES – Leia com atenção antes de usar o produto!

- **CUIDADO:** são necessárias **duas pessoas** para mover a mesa. Risco de ferimentos graves.
- **NÃO EXCEDA O PESO MÁXIMO INDICADO. GRAVE RISCO DE DANOS MATERIAIS E FERIMENTOS.**
- Não utilize a mesa se alguma das peças apresentar danos ou defeitos.
- Retire todos os obstáculos do percurso da mesa.
- Não coloque objetos com mais de 55,8 cm (22") de altura embaixo da mesa.
- A mesa tem que ficar a pelo menos 2,5 cm (1") de distância das paredes e dos objetos ao redor.
- Não sente ou suba na mesa.
- Não desmonte as pernas, a caixa de controle ou o controlador. Risco de ferimentos graves.
- Todos os cabos devem ser compridos o suficiente para todos os ajustes de altura serem possíveis. Siga atentamente as instruções deste manual no que diz respeito aos pontos pelos quais os cabos devem passar. Se elas não forem cumpridas, haverá risco de danos ao equipamento ou ferimentos corporais.
- Os componentes elétricos devem ficar sempre bem longe de substâncias líquidas. Utilize apenas um pano seco para limpar os componentes elétricos.
- Utilize o produto apenas em ambientes fechados.
- O cabo de energia deve ficar sempre bem longe de fontes de calor.
- Tire a mesa da tomada antes de movê-la, consertá-la ou de fazer serviços de manutenção.
- Antes de mover a mesa, retire todos os seus equipamentos e acessórios.
- Não deixe as crianças irem para debaixo da mesa ou se aproximar das peças móveis.

Peso máximo suportado, incluindo a parte de cima mesa

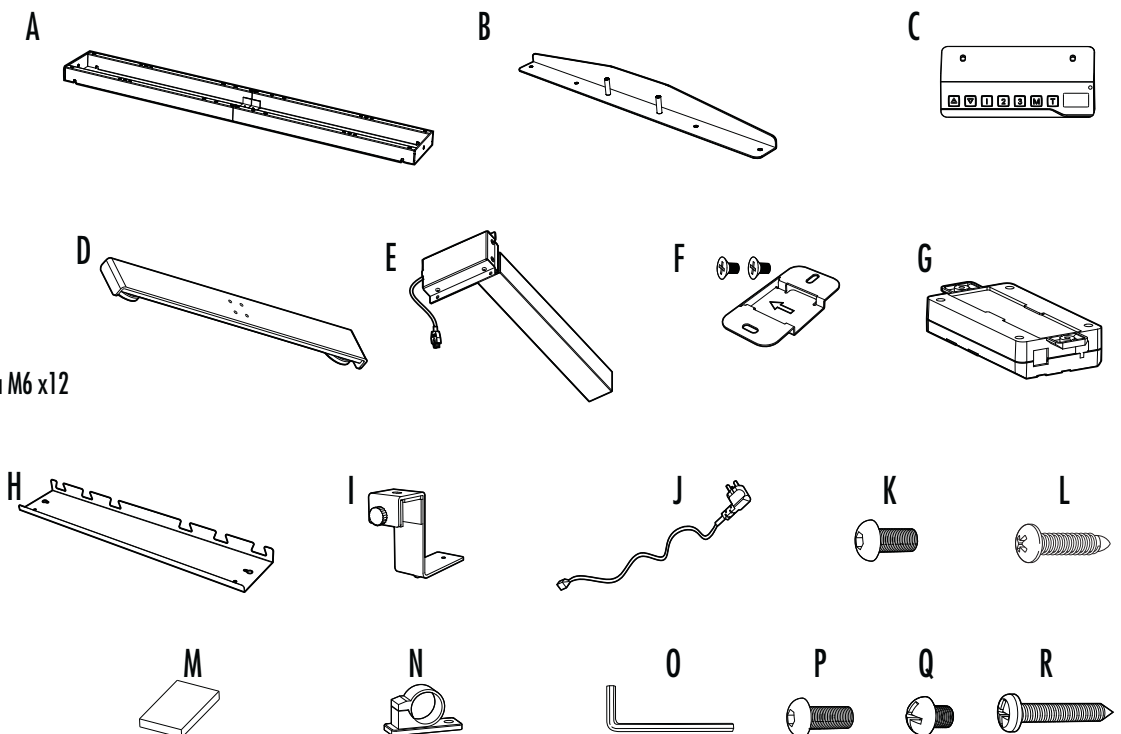
≤ 100 kg
≤ 220 lbs



Dados técnicos	
Tensão	100-240 V
Frequência	50/60 HZ
Corrente (Amperes)	5 Amperes
Potência	200 Watts

PEÇAS FORNECIDAS (Nota: Pode incluir ferragens extra)

- A Barra transversal x1
- B Suporte lateral x2
- C Ajuste manual x1
- D Pé do suporte x2
- E Coluna de suspensão x2
- F Placa de fixação x1
+ Parafuso Phillips x2
- G Caixa de controle x1
- H Caixa de cabos x1
- I Gancho x2
- J Cabo de alimentação
- K Parafuso sextavado M6x10 x8
- L Parafuso Phillips de cabeça redonda M6 x12
- M Proteção anti-vibração x12
- N Passa-cabo x3
- O Chave sextavada de 5mm x1
- P Parafuso sextavado M6x16 x8
- Q Parafuso Phillips M3 x4
- R Parafuso Phillips x2



Outras ferramentas necessárias

- Chave Phillips
- Berbequim

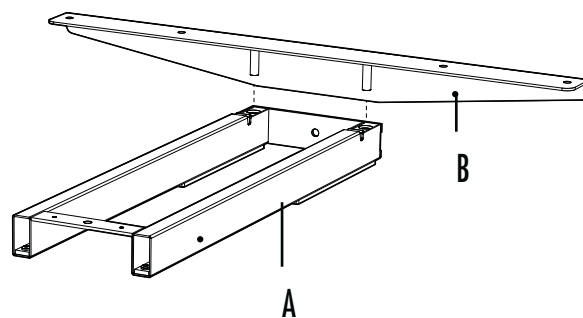
COMO INSTALAR O SUPORTE

PASSO 1

Instalação dos suportes laterais

- Coloque a mesa sobre uma superfície macia e limpa, com a parte de cima voltada para baixo.
- Tire a barra transversal da embalagem coloque-a, com cuidado, sobre o chão.
- Encaixe o suporte lateral à extremidade da barra transversal.
- Repita o procedimento para encaixar o outro suporte lateral.

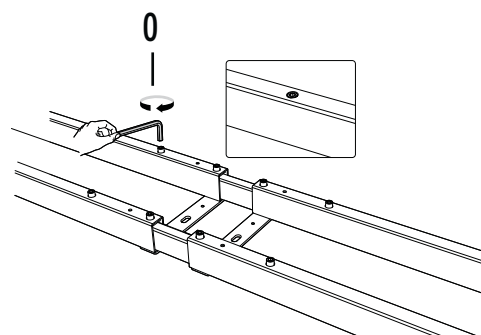
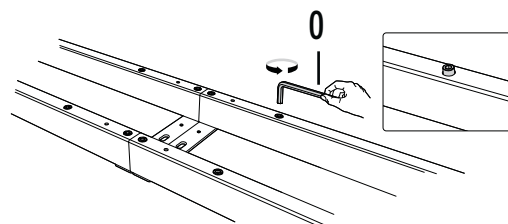
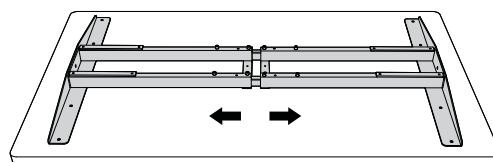
*Observação: durante a instalação, a barra transversal e os suportes laterais devem ficar sempre voltados para cima.



PASSO 2

Ajuste da posição da estrutura e posterior encaixe à mesa

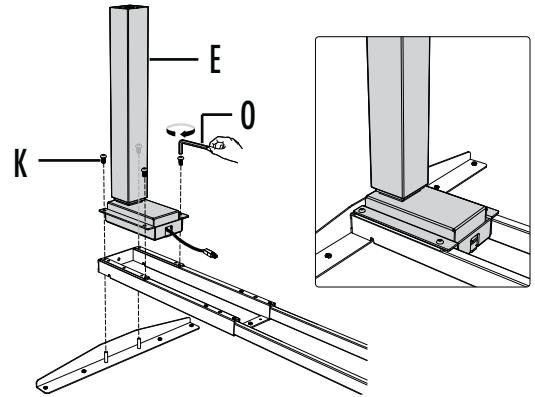
- Ajuste os braços ao comprimento final desejado.
- Use a chave sextavada de 5 mm para afrouxar os parafusos de fixação (8) localizados no lado interno dos braços.
- Verifique se os suportes superiores dos dois lados estão alinhados com os orifícios de parafusos da estrutura.
- Depois de fazer o devido ajuste, use a chave sextavada de 5 mm para reapertar os oito parafusos de fixação.



PASSO 3

Encaixe das colunas de suspensão

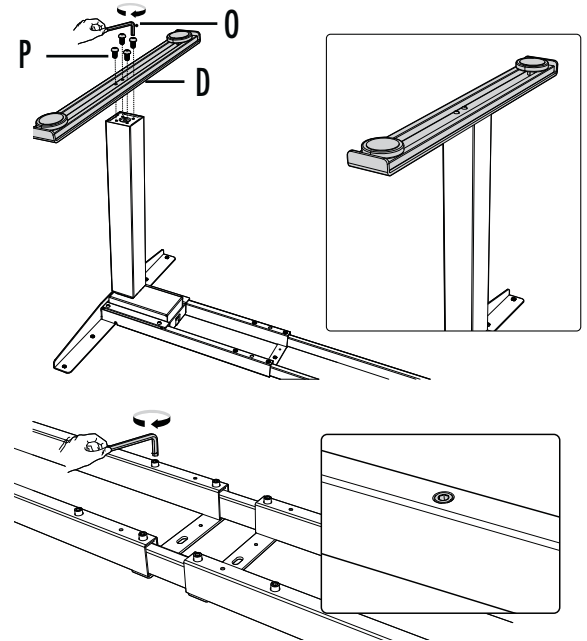
- Remova a parte de cima da mesa para continuar a montagem.
- Insira as duas colunas de suspensão nas duas extremidades da barra transversal, com os cabeçotes voltados para dentro. Os orifícios de montagem das colunas de suspensão devem ficar perfeitamente alinhados com os orifícios para parafusos da barra transversal.
- Fixe a coluna de elevação e o suporte lateral à barra transversal usando os 4 parafusos sextavada **M6x10** com a respetiva chave sextavada.
- Repita o procedimento para encaixar a outra coluna de suspensão.



PASSO 4

Montagem dos pés

- Coloque o pé na parte de baixo da coluna de suspensão. Alinhe os orifícios de montagem do pé aos orifícios dos parafusos da coluna de suspensão.
- Fixe o pé usando 4 parafusos sextavados **M6x16** com a chave sextavada.
- Repita o procedimento para encaixar o outro pé.
- Reaperte todos os parafusos sextavados para finalizar o ajuste.

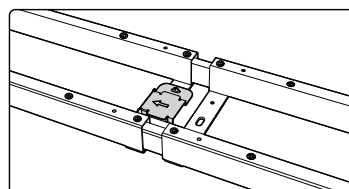
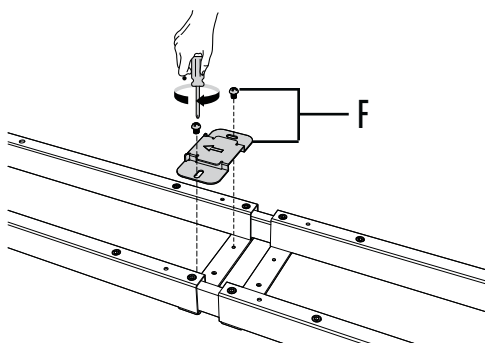


PASSO 5

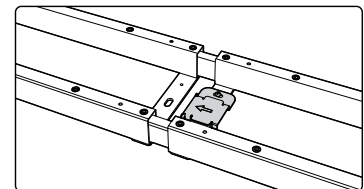
Instalação da placa de fixação

- Alinhe os orifícios de montagem existentes na placa de fixação com os orifícios dos parafusos, conforme mostra a figura.
- Utilize uma chave Phillips e dois parafusos Phillips para prender a placa de fixação ao meio da barra transversal. A placa de fixação pode ser colocada tanto no lado direito quanto no lado esquerdo.

*Observação: a seta da placa de fixação indica a direção de deslizamento na caixa de controle. No próximo passo, instale a caixa de controle seguindo a direção da seta.



OU



PASSO 6

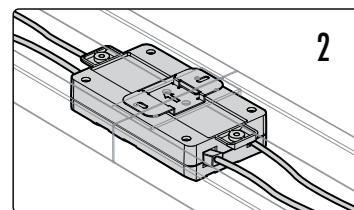
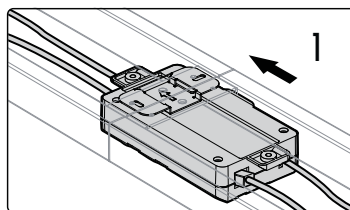
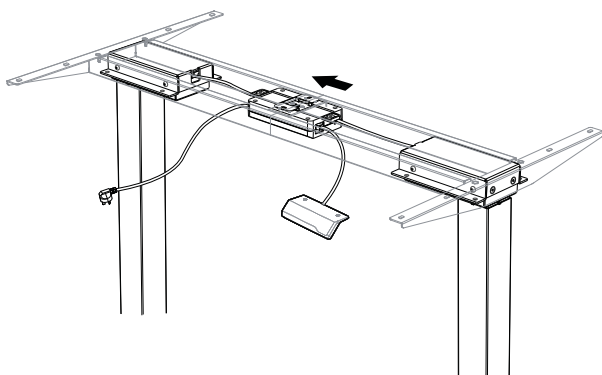
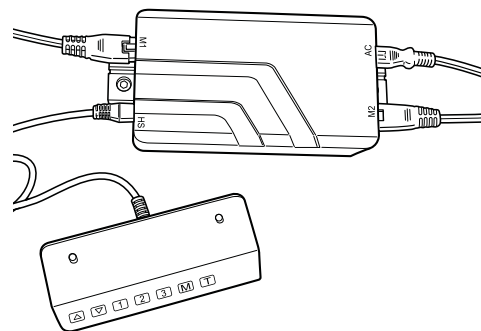
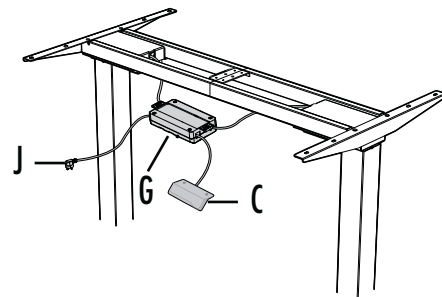
Inserção dos cabos

Desvire a estrutura da mesa, deixando a barra transversal voltada para cima. São necessárias **pelo menos duas pessoas** para virar a estrutura da mesa.

⚠ ATENÇÃO Há risco de ferimentos graves se a estrutura da mesa for virada por apenas uma pessoa.

- Ligue os dois cabos do motor às duas saídas laterais da caixa de controle. Essas saídas estão indicadas com os códigos "M1" e "M2".
- Ligue o cabo do controlador à saída "HS".
- Ligue o cabo de alimentação à saída "AC".
- Alinhe a placa de fixação à extremidade direita do compartimento da caixa de controle. Deslize a caixa de controle para dentro da placa de fixação, indo da esquerda para a direita, até a caixa de controle se fixar no lugar.

*Observação: o compartimento da caixa de controle deve ficar voltado para cima. Não há uma relação correspondente entre as duas saídas do motor e as duas colunas de suspensão.

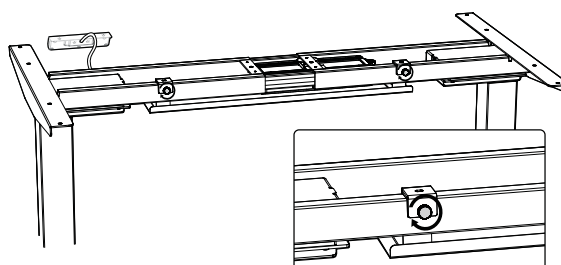
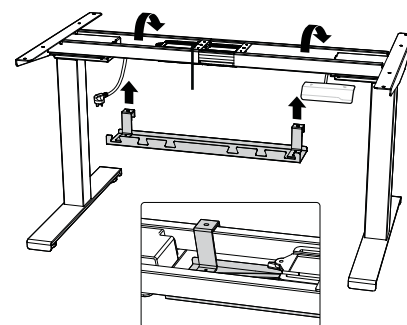
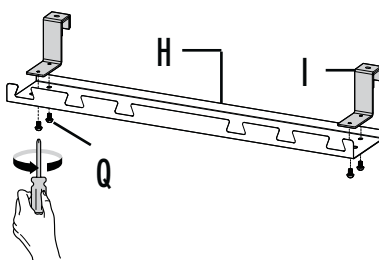


**Observação: a ilustração do controlador é para mera referência. O produto real pode ser diferente do ilustrado.

INSTALAÇÃO DE ACESSÓRIOS - CAIXA DE CABOS

Caixa de cabos

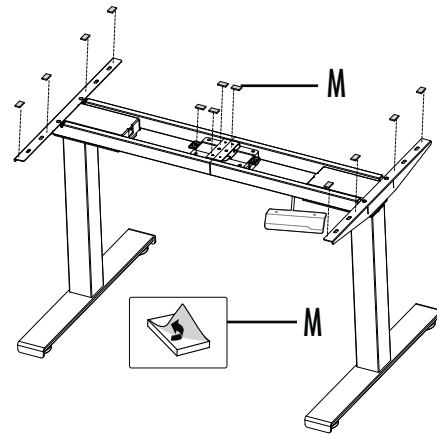
- Alinhe os orifícios de inserção dos ganchos da caixa aos orifícios para parafusos da caixa de cabos. Encaixe os ganchos da caixa. Para tanto, utilize uma chave Phillips e prenda quatro parafusos Phillips em sequência, girando-os por baixo.
- Pendure a caixa de cabos na barra transversal.
- Aperte os botões dos ganchos da caixa.



INSERÇÃO DA PARTE DE CIMA DA MESA

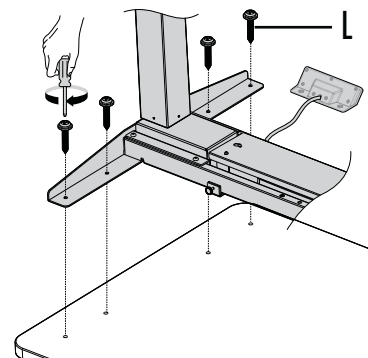
PASSO 1

- Prenda os blocos anti-vibração à superfície da barra transversal nas 12 posições, conforme mostra a figura.



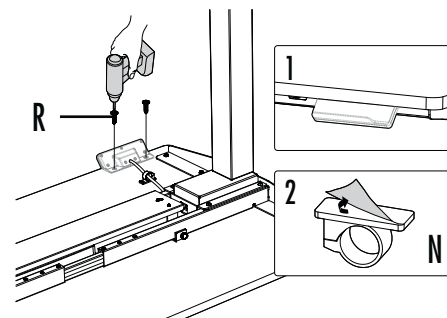
PASSO 2

- Alinhe os orifícios de parafusos aos orifícios de fixação da barra transversal. Insira os quatro parafusos Phillips apertando-os.
- Repita o procedimento no outro lado da parte de cima da mesa.



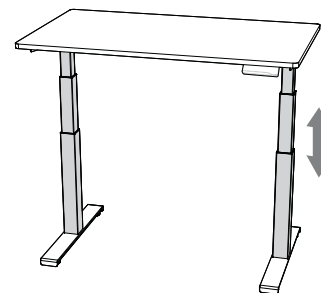
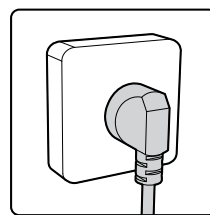
PASSO 3

- Fixe o controlador ao desktop com 2 parafusos Phillips usando um berbequim.
- Para organizar melhor os cabos, prenda os passa-cabos autocolantes embaixo da mesa.



PASSO 4

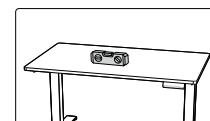
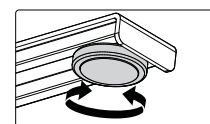
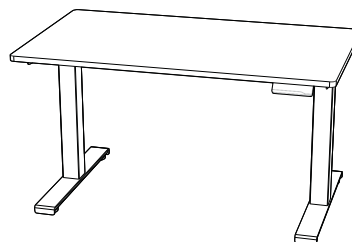
- Conecte o cabo de alimentação ao controlador e ligue-o à tomada.

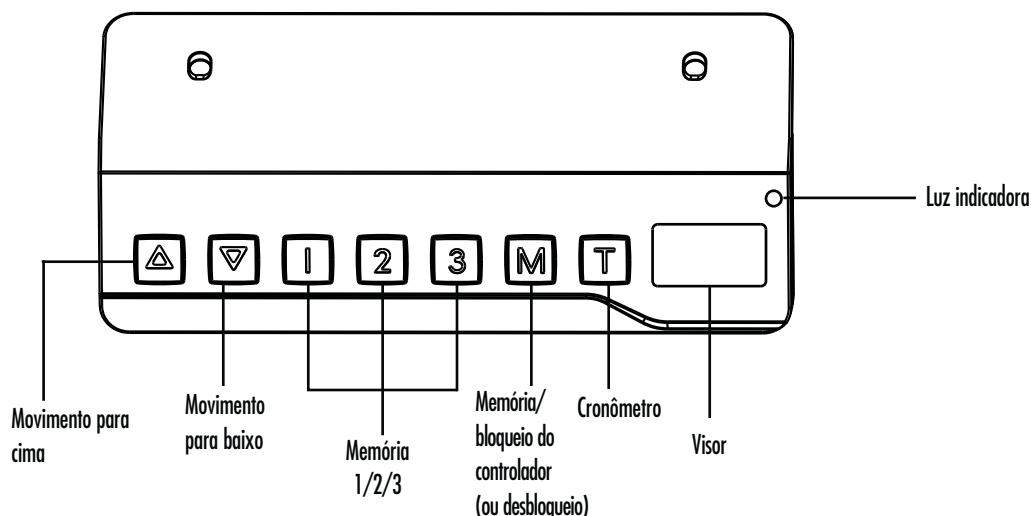


PASSO 5

- Há dois pinos ajustáveis embaixo de cada pé. Se o piso for irregular, basta girar o pino para ajustar a sua altura e deixar a mesa estável.

Dica: use um nível de bolha para conferir se a mesa está bem nivelada na horizontal.





1. USO GERAL

Quando o sistema é ligado, ele faz um bipe e o controlador exibe a altura atual da mesa.

Movimento para cima Movimento para baixo

Aperte "▲" ou "▼", sem soltar, até a mesa chegar à altura desejada (exibida no controlador). Se o motor operar por muito tempo, sem parar, a proteção contra superaquecimento será ativada. Com isso, o painel de controle voltará a funcionar normalmente em cerca de 18 minutos.

MODO DE ECONOMIA DE ENERGIA - (10 MINUTOS)

Se nenhuma ação for realizada em 10 minutos, o sistema entra no modo de economia de energia. Toque em qualquer botão para colocá-lo no modo de operação.

2. ARMAZENAMENTO DE CONFIGURAÇÃO

Para armazenar uma configuração de altura na memória do controlador, deve-se primeiramente apertar "M". Isso faz o código "S-" ser exibido. Depois disso, aperte "1", "2" ou "3" em até 5 segundos para armazenar a altura atual na memória. Os botões "1", "2" ou "3" podem armazenar alturas diferentes. Depois de serem salvas, qualquer uma das três configurações de altura armazenadas na memória do controlador pode ser restaurada. Para tanto, basta apertar o respectivo botão, sem soltar, até a mesa chegar à altura estabelecida. Aperte qualquer botão para cancelar o reajuste.

3. BLOQUEIO/DESBLOQUEIO DO CONTROLADOR

Para bloquear o controlador, aperte "M" por 3 segundos, até um "---" aparecer no visor. Isso bloqueia o controlador e impede a realização de qualquer procedimento. Para desbloquear a tela, pressione "M" por 3 segundos, até o visor exibir a altura atual.

Observação: deixe a função de bloqueio automático sempre ativada. Consulte a "PARTE 5 - Guia de Programação Personalizada" e altere a configuração de bloqueio da tela.

4. CRONÔMETRO

Para ajustar o cronômetro, aperte "T". Isso faz o valor "0.5h" piscar no visor — ou seja, meia hora. Aperte "T" mais vezes para aumentar o valor. A cada apertado, ele aumenta o total em meia hora. O cronômetro pode ser ajustado para, no máximo, duas horas. O valor é confirmado quando o dígito para de piscar e a luz no canto superior direito do controlador se acende. Quando a contagem do tempo termina, o aparelho faz bipes para lembrar o usuário a reajustar a sua posição de trabalho. Depois de cinco bipes, o cronômetro se desliga automaticamente. Quando uma configuração do cronômetro se expira, o cronômetro da unidade é cancelado. Para desativar o cronômetro, aperte "T" cinco vezes. Com isso, a altura atual volta a aparecer no visor e a luz do lado superior direito do controlador se apaga.

5. COMO ALTERNAR ENTRE CENTÍMETROS E POLEGADAS

Por norma, o visor exibe os valores configurados em centímetros (cm). Se desejar que eles sejam apresentados em polegadas, aperte "T" durante oito segundos, sem soltar. Isso faz o dispositivo dar dois bipes, indicando assim que a medição foi reconfigurada. Para retornar à exibição em centímetros, aperte "T" novamente por oito segundos, sem soltar. Com isso, o sistema dá um bipe, indicando assim que a exibição voltou a ser feita em centímetros.

6. REAJUSTE DA UNIDADE DE CONTROLE

Com a unidade ligada, pressione os botões "▲" e "▼" em simultâneo até ouvir um aviso sonoro. A mesa retornará para a posição mais baixa e depois subirá um pouco. Não solte os botões até o procedimento terminar.

7. RESOLUÇÃO DE PROBLEMAS

Erro Nº	Descrição	Solução	Erro Nº	Descrição	Solução
E01/E07	Problema elétrico	Tire o dispositivo da tomada durante 30 segundos e ligue-o novamente	E16/E26	Pane no motor	Reinicie o sistema
E02	Erro na haste giratória	Reinicie o sistema	E17	A mesa se move na direção errada	Troque o cabo do motor (M1)
E04	Erro de conexão no controlador digital	Verifique se a conexão está em ordem e volte a ligar o dispositivo à tomada	E18/E28	Sobrecarga de peso	Retire os objetos que estiverem sobre a mesa
E05	Sistema anticolisão	Solte o botão	E21	Sem conexão	Veja se a conexão está em ordem (M2)
E06	Problema elétrico	Troque a caixa de controle	E23	O fio do motor se quebrou	Analise e troque o cabo do motor (M2)
E08	A mesa se inclina	Reinicie o sistema	E24	O fio do transdutor se quebrou	Analise e troque o cabo do motor (M2)
E11	Sem conexão	Verifique a conexão (M1)	E25	Curto-circuito	Troque o motor (M2)
E12/E22	Corrente anormal	Troque a caixa de controle	E27	A mesa se move na direção errada	Troque o cabo do motor (M2)
E13	Rotura do fio do motor	Analise e troque o cabo do motor (M1)	E42	Erro na função de memória	Troque a caixa de controle
E14	Rotura do fio do quadro	Analise e troque o cabo do motor (M1)	E43	Erro no sensor do sistema anticolisão	Troque a caixa de controle
E15	Curto-circuito	Troque o motor (M1)			

Observação:

- Função de autoproteção: o sistema entra no modo de proteção se operar por mais de dois minutos com a palavra "HOT" no visor de comando. Isso faz o sistema se reinicializar e só voltar ao modo de operação normal em cerca de 20 minutos.
- Modo de proteção contra excesso de peso: se for colocada, sobre a mesa, uma carga superior ao limite, o sistema entra em modo de proteção contra excesso de peso. Isso o protege contra possíveis danos decorrentes de eventuais excessos. Nesse modo, a mesa se move cerca de 30 mm para baixo. Depois disso, o visor passa a indicar o peso atual sobre a mesa.
- Atenção: se o aparelho entrar no modo "HOT" (quente) ou em algum estado protetivo, NUNCA desligue-o ou tire-o da tomada para reiniciá-lo.

CONFIGURAÇÕES PERSONALIZADAS

Para todas as configurações personalizadas abaixo:

- Aperte "M" e "T" ao mesmo tempo e por 5 segundos, sem soltar, até o sistema dar um bipe e o código "S-1" aparecer no visor.
- Se nenhuma outra ação for feita nos 10 segundos seguintes, o processo se cancela automaticamente.
- Sempre que desejar cancelar o procedimento manualmente, basta apertar "T".

Configuração personalizada 1: ajustes de altura mínima e máxima

- Limite mínimo de altura: quando o código "S-1" estiver no visor, aperte "M" uma vez e depois "▲" ou "▼" para definir a altura mínima desejada. Aperte "M" para salvar a configuração. Se o visor apresentar "L-S", o procedimento foi correto. Se ele apresentar "L-F", tente de novo.
 - Limite máximo de altura: quando o código "S-1" estiver no visor, aperte "▲" até ele se alternar para o "S-2". Aperte "M" uma vez e depois "▲" ou "▼" para definir a altura máxima desejada. Aperte "M" para salvar a configuração. Se o visor apresentar "H-S", o procedimento deu certo. Se ele apresentar "H-F", tente de novo.
- Observação: a altura mínima predeterminada é de 62 cm (24,4") e pode ser reajustada para um valor entre 62 e 118 cm (24,4" e 46,4"). A altura máxima padrão, por sua vez, é de 128 cm (50,4"), podendo ser reajustada para um valor entre 72 e 128 cm (28,3" e 50,4").*



CUSTOMER SERVICE & SUPPORT

www.fellowes.com

Europe Freephone: 00800-1810-1810

Benelux: +31-(0)-13-458-0580

Deutschland: +49 (0)511 545489-0

France: +33 (0) 1 78 64 91 00

Italia: +39-071-730041

Polska: +48 (22) 205-21-10

España/Portugal: +34-91-748-05-01

United Kingdom: +44 (0) 1302 836836

Australia: 1800 33 11 77

Declaration of Conformity

Fellowes, Inc.

Unit 2 Ontario Drive, New Rossington, Doncaster, DN11 0BF, England declares that the product model Cambio™ Height Adjustable Desk Base conforms with the requirements of the Low Voltage Directive (2014/35/EU), the Electromagnetic Compatibility Directive (2014/30/EU), the Restriction of Hazardous Substances Directive (2011/65/EU) and (2015/863/EU), the WEEE directive (2012/19/EU), the Eco Design Directive (2009/125/EC), and the below harmonized European EN Standards.

Mechanical Safety:

EN 527-1: 2011

EN 527-2: 2002

EN 527-3: 2003

Electrical Safety:

EN 60335-1: 2017

EN 62233: 2008

EN 61558-1: 2009

EN 61558-2-16: 2013

EMC:

EN 55014-1: 2011

EN 55014-2: 2015

EN 61000-3-2: 2014

EN 61000-3-3: 2013

ErP:

EN 50563: 2011/A1: 2013

Year Affixed: 19
Itasca, Illinois, USA
June 1, 2019

John Fellowes

Fellowes
Brands-

1789 Norwood Avenue, Itasca, Illinois 60143 • 1-800-955-0959 • www.fellowes.com

Configuração personalizada 2: ajuste da sensibilidade do sistema anticolisão

- Ajuste da sensibilidade ascendente: quando o código "S-1" estiver no visor, aperte "▲" até ele se alternar para "S-3". Aperte "M" uma vez e depois "▲" ou "▼" para alterar a sensibilidade. A sensibilidade padrão é de 2 pontos, podendo ser reajustada para um valor entre 0 e 8 (0 = desligada, 8 = sensibilidade máxima). Aperte "M" para salvar a configuração. Se o visor apresentar "S-S", o procedimento deu certo. Se ele apresentar "S-F", tente de novo.
- Ajuste da sensibilidade por baixo: quando o código "S-1" estiver no visor, aperte "▲" até ele se alternar para "S-4". Aperte "M" uma vez e depois "▲" ou "▼" para alterar a sensibilidade. A sensibilidade padrão é de 2 pontos, podendo ser reajustada para um valor entre 0 e 8 (0 = desligada, 8 = sensibilidade máxima). Aperte "M" para salvar a configuração. Se o visor apresentar "S-S", o procedimento deu certo. Se ele apresentar "S-F", tente de novo.

Configuração personalizada 3: ajuste da sensibilidade de inclinação da mesa

- Ajuste da sensibilidade na parte de cima: quando o código "S-1" estiver no visor, aperte "▲" até ele se alternar para "S-5". Aperte "M" uma vez e depois "▲" ou "▼" para alterar a sensibilidade. A sensibilidade padrão é de 2 pontos, podendo ser reajustada para um valor entre 0 e 8 (0 = desligada, 8 = sensibilidade máxima). Aperte "M" para salvar a configuração. Se o visor apresentar "S-S", o procedimento deu certo. Se ele apresentar "S-F", tente de novo.

Configuração personalizada 4: ajuste para exibir a altura com ou sem a parte de cima da mesa

- Quando o código "S-1" estiver no visor, aperte "▲" até ele se alternar para "S-6". Aperte "M" uma vez e depois "▲" ou "▼" para indicar a espessura da parte de cima da mesa. Aperte "M" para salvar a configuração. Se o visor apresentar "T-S", o procedimento deu certo. Se ele apresentar "T-F", tente de novo.

Configuração personalizada 5: bloqueio e desbloqueio automáticos do visor

- Quando o código "S-1" estiver no visor, aperte "▲" até ele se alternar para "S-7". Aperte "▲" uma vez e depois "▲" ou "▼" para ativar (1) ou desativar (0) o bloqueio automático. Aperte "M" para salvar a configuração. Se o visor apresentar "A-S", o procedimento deu certo. Se ele apresentar "A-F", tente de novo.

Para reajustar as configurações personalizadas, aperte "M", "T" e "M" ao mesmo tempo e por 5 segundos, até o sistema dar um bipe.

GARANTIA LIMITADA DA FELLOWES PARA SECRETÁRIA REGULÁVEL ELECTRICAMENTE EM ALTURA CAMBIO™

A Fellowes, Inc. (doravante denominada "Empresa") atesta que o Cambio™, suporte com ajuste de altura para mesas (doravante denominado "Produto"), não contém materiais defeituosos e não apresenta defeitos de fabricação. Esta garantia tem validade pelos períodos indicados abaixo.

Estrutura: 15 (quinze) anos a partir da data da aquisição inicial do produto.

Todos os componentes elétricos: 7 (sete) anos a partir da data da aquisição inicial do produto.

Esta garantia beneficia apenas o comprador original e, mesmo durante a sua vigência e em situações em que seria válida, não se aplica a problemas resultantes de uso indevido, descumprimento das instruções de instalação e de uso, negligência, uso de acessórios não autorizados, uso comercial, uso com corrente ou tensão diversos das especificadas no produto, ou manutenção não autorizada.

A DURAÇÃO DE QUAISQUER GARANTIAS TÁCTAS – INCLUINDO, POR EXEMPLO, QUALQUER GARANTIA IMPLÍCITA DE COMERCIALIZAÇÃO OU ADEQUAÇÃO PARA DETERMINADO FIM – SE LIMITA À DURAÇÃO DESTA GARANTIA LIMITADA.

A MENOS QUE AS LEIS APLICÁVEIS TENHAM DISPOSIÇÃO DIVERSA, OS ÚNICOS MEIOS QUE O CLIENTE TERÁ PARA SER INDENIZADO POR DANOS DECORRENTES DA VIOLAÇÃO DESTA GARANTIA, DA VIOLAÇÃO DE QUALQUER GARANTIA TÁCTA OU DA VIOLAÇÃO DE QUALQUER OUTRA OBRIGAÇÃO DECORRENTE DE FORÇA LÉGAL OU DE QUALQUER OUTRA NATUREZA, SERÃO O CONSERTO, A TROCA OU O REEMBOLSO DO VALOR DA COMPRA, COM A MODALIDADE SENDO SELECIONADA A ÚNICO E EXCLUSIVO CRITÉRIO DA EMPRESA.

A EMPRESA, SUAS AFILIADAS, SUAS SUBSIDIÁRIAS, SEUS REVENDEDORES E AS ENTIDADES A ELA RELACIONADAS – INCLUINDO AÍ DIRETORES, EXECUTIVOS E FUNCIONÁRIOS DAS REFERIDAS INSTITUIÇÕES, BEM COMO PESSOAS SOBRE AS QUAIS ELAS TENHAM RESPONSABILIDADE – EM NENHUMA CIRCUNSTÂNCIA SE RESPONSABILIZAM POR DANOS INDIRETOS OU ACIDENTAIS QUE TENHAM LIGAÇÃO COM O PRODUTO. A EMPRESA E AS REFERIDAS INSTITUIÇÕES E PESSOAS NÃO AUTORIZAM E NÃO PRESUMEM QUE ALGUM REPRESENTANTE OU QUALQUER OUTRA PESSOA VENHA A ASSUMIR, EM NOME DA EMPRESA OU DAS REFERIDAS INSTITUIÇÕES E PESSOAS, QUALQUER OBRIGAÇÃO OU RESPONSABILIDADE DE FORMA NÃO EXPRESSAMENTE ESTABELECIDO NO PRESENTE DOCUMENTO.

A duração, os termos e as condições desta garantia são válidos em todo o mundo, exceto quando as leis locais exigirem a aplicação de limites, restrições e condições diferentes daqueles aqui indicados.