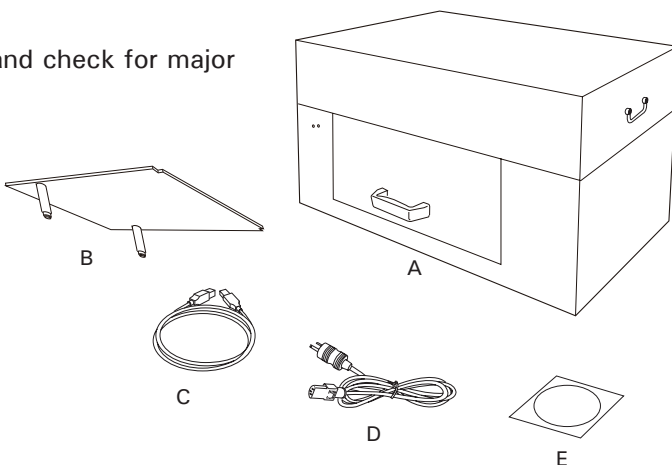


Object Scanner Quick Start Guide

1. Unpack Contents

Unpack your scanner package and check for major components.

- A. Scanner
- B. Upper scan bed
- C. Hi-Speed USB 2.0 cable
- D. Power cord
- E. Software DVD



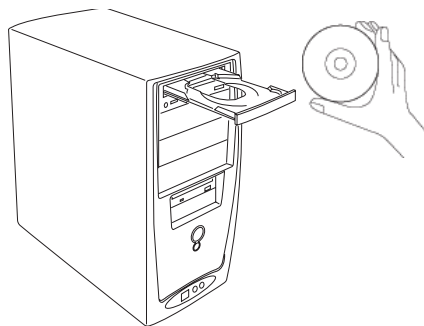
2. Install Software

Important: You must install software before connecting your scanner. Always close any open programs and turn off Antivirus utilities before installing software.

- A. Place the Microtek Software DVD into a drive, and follow the on-screen instructions to install the scanner driver and software.

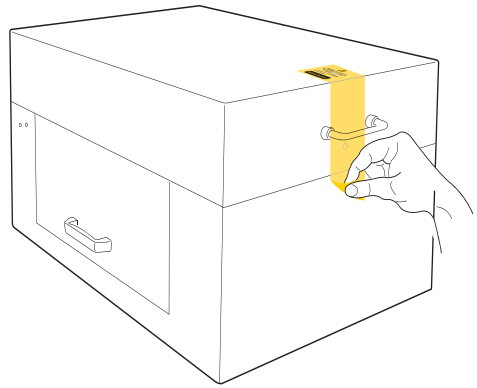
NOTE: If the Microtek Software Installer screen does not come up automatically, double-click the following in succession: "My Computer"; the DVD-ROM icon; then Setup.exe to start the installer program.

- B. Restart your computer at the end of all software installation.



3. Unlock Scanner

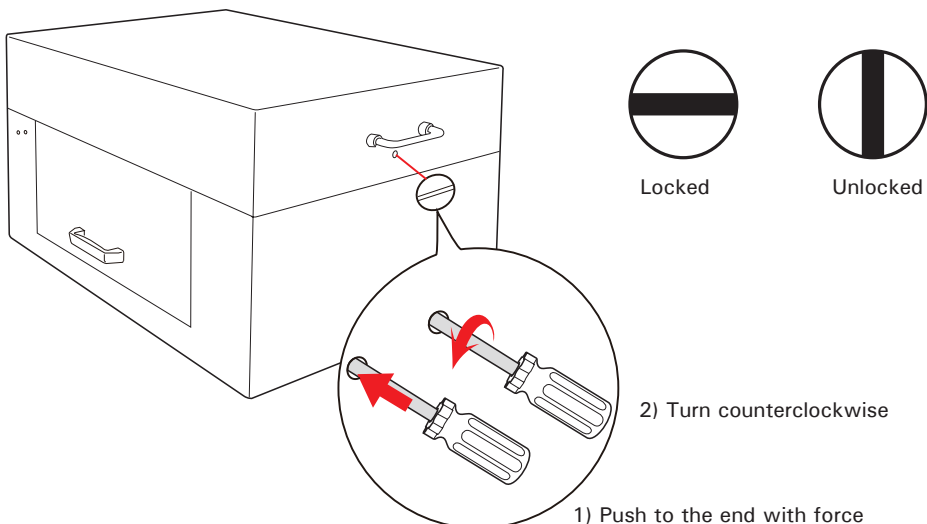
- A. Remove the yellow sticker at the middle of the right panel of the scanner and locate the locking screw under.



- B. Using a flat-head screwdriver, pass through a round circle at the outer shell of the scanner and insert a hollow side of the locking screw: 1) push to the end with force, and 2) turn the locking screw counterclockwise 90 degrees to the unlock position.

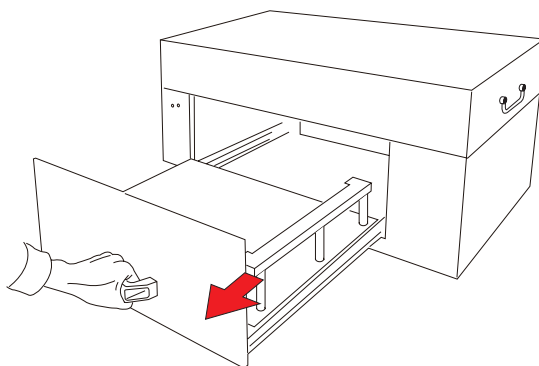
When successfully unlocked, the screw will push out a little, protruding slightly from the side of the scanner.

NOTE: To lock the scanner (for shipping and other reasons), refer to the User's Manual in the Microtek Software DVD.

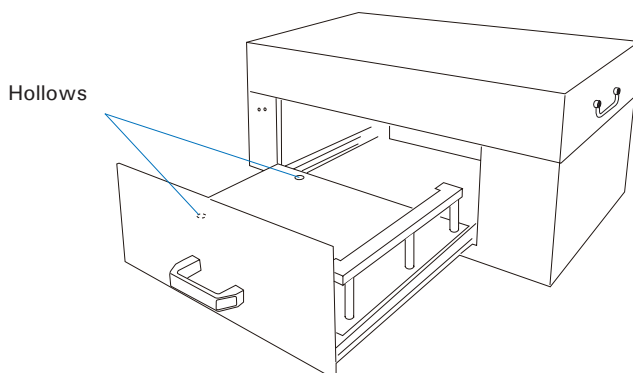


4. Install Upper Scan Bed

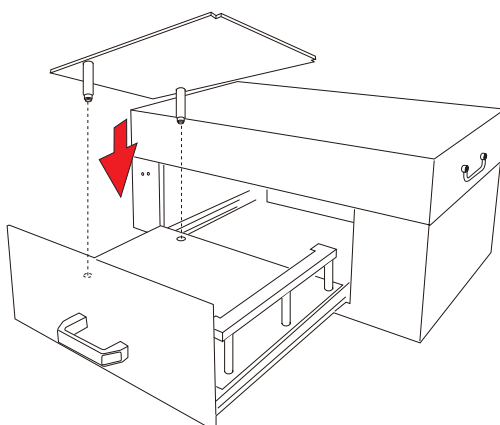
1. Locate a handle at the front panel of the scanner. Grab it to pull out the drawer of the scanner until reaching the edge of end.



2. Locate two hollows at the left side of the lower scan bed.



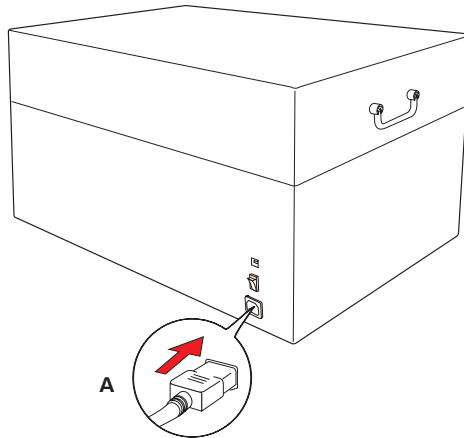
3. Insert the stools at bottom of the upper scan bed into the hollows on the lower scan bed. Make sure the upper scan bed has been assembled in the scanner firmly.



5. Connect Scanner

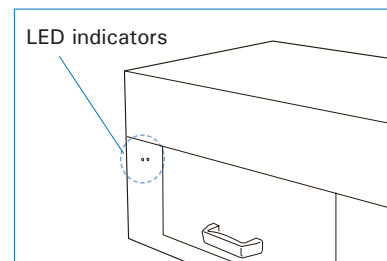
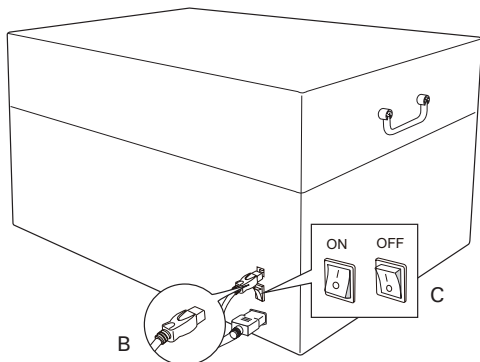
To the power cord

- A. Connect one end of the power cord to the back side of the scanner and plug the other end into a power source.



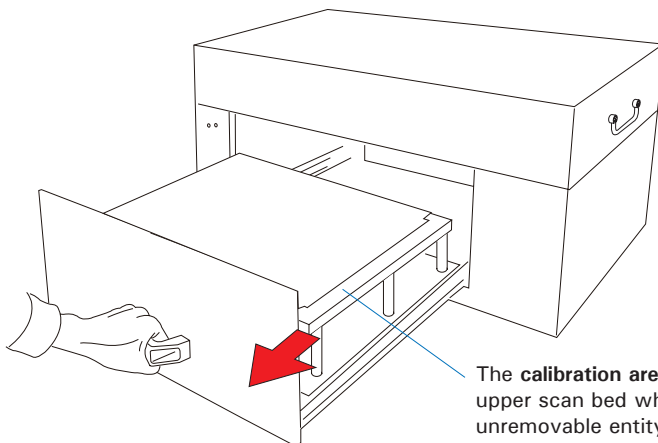
To the Hi-Speed USB cable

- B. Connect one end of the USB cable to your computer and connect the other end to the scanner.
- C. Switch the Power button at the back side of the scanner to ON, and wait for the indicators light on the front panel to stay on steady.



Position Materials

- A. Locate a handle at the front panel of the scanner. Grab it to pull out the drawer of the scanner until reaching the edge of end.

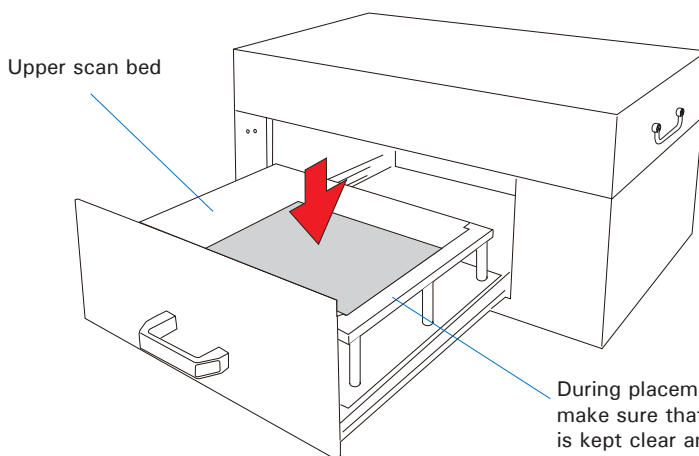


The **calibration area (white strip)** is next to the upper scan bed which is an independent and unremovable entity located at the right side of the drawer.

To ensure optimal image quality during scanning, remove the protective film from the surface of the calibration area before using the scanner.

- B. If the height of a scanned object is less than 2.76" (7 cm), center the object to be scanned facing up directly on the upper scan bed.

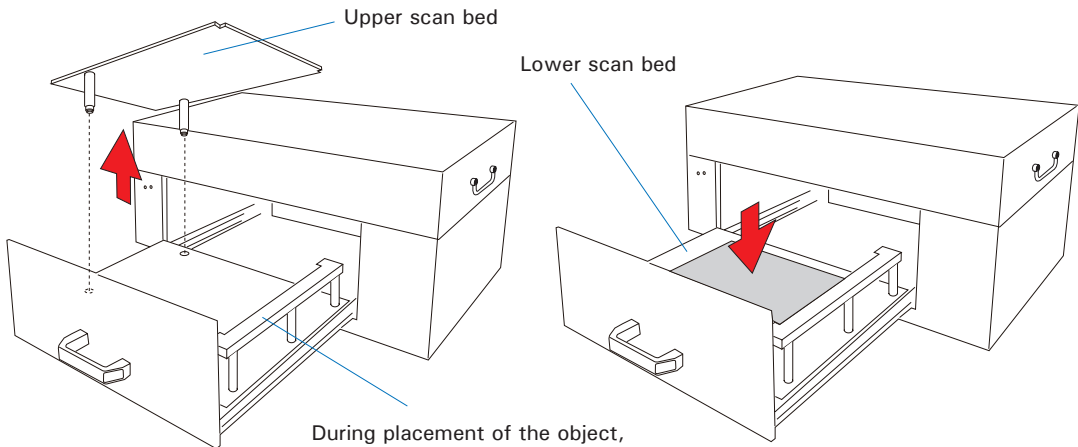
When placing the scanned object, do not block the calibration area.



During placement of the object, make sure that the calibration area is kept clear and free of obstruction at all times.

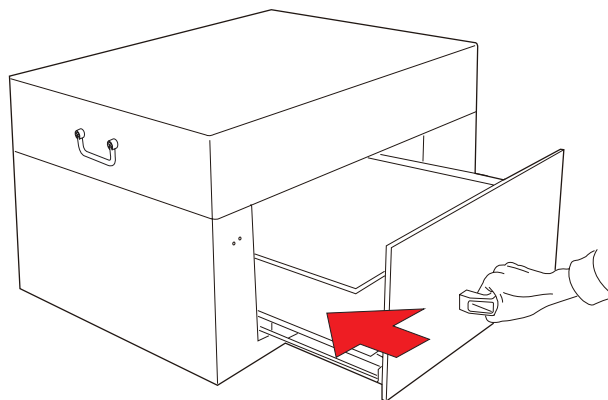
- C. If the height of a scanned object is larger than 2.76" (7 cm) (the maximum height is 5.9" (15 cm)), take out the upper scan bed from the drawer; then, center the object to be scanned facing up on the lower scan bed of the drawer.

When placing the scanned object, do not block the calibration area.



During placement of the object, make sure that the calibration area is kept clear and free of obstruction at all times.

- D. When done, grab the handle of the drawer and push it back into the scanner. When "click" sound is heard, it means that the drawer has been closed properly.



NOTE: The maximum loading weight for scan beds is 5.5 lbs (2.5 kg). Do not load any material heavier than the loading limit.

Launch ScanWizard Graph




After the software and scanner have been successfully installed and connected, double-click the ScanWizard Graph icon on the desktop to launch ScanWizard Graph.

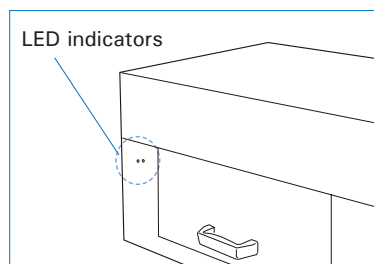


Refer to the User's Manual in the Microtek Software DVD toward how to scan materials and how to use ScanWizard Graph software.

Problems ?

The LEDs on the front-left panel of the scanner indicate the status of the scanner.

-  All On - The scanner is found and ready to scan
-  Green Flashing - Scanning
-  All Off - Scanner is off



First, make sure that you have followed Steps 1 to 5 as described in this guide to install your scanner. Then if your problem is listed here, try the suggested solution.

1. No light comes on when the scanner is turned on.

Make sure your scanner is connected to your computer and plugged into a power source.

2. The Add/Remove Hardware Wizard appears on your screen.

Click the "Cancel" button and close the ScanWizard Graph scanning software. Disconnect the Hi-Speed USB cable from your computer, and refer to the installation instructions in this document.

3. When trying to scan, an error message appears on your screen that reads, "Can't Find Scanners".

Make sure your scanner is unlocked (see step "3. Unlock Scanner" section).

Make sure your scanner is connected to your computer and plugged in to a power source (see step "5. Connect Scanner" section).

Uninstall and reinstall the ScanWizard Graph software.

4. After clicking "Scan," a blank screen appears.

Uninstall and reinstall the ScanWizard Graph software.

Do You Need Assistance?

Manuals

If you have additional questions and need further instruction or information, we provide electronic manuals for using your scanner and ScanWizard Graph software in the Microtek Software DVD.

Missing Items

If your package is missing items, please call the Microtek Customer Service Department.

Drivers & Software Upgrades

After you finish the installation of software, if you found that the installed drivers and software cannot run your product or your computer system properly later, please go to the Microtek Download Service site at www.microtek.com/service.php to download and install any updates you may require.

For additional information about Microtek products, please visit our website at www.microtek.com.