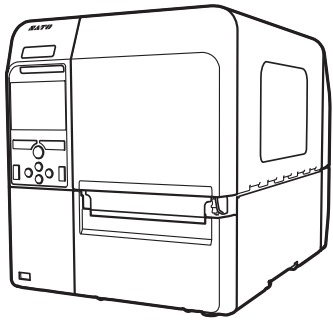




Barcode Printer CL4NX Plus

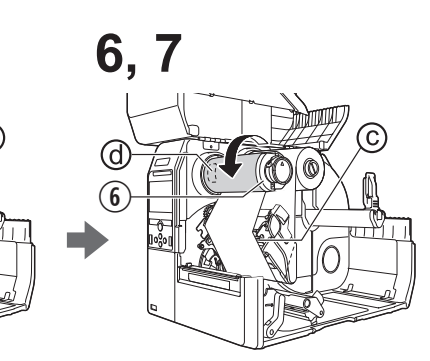
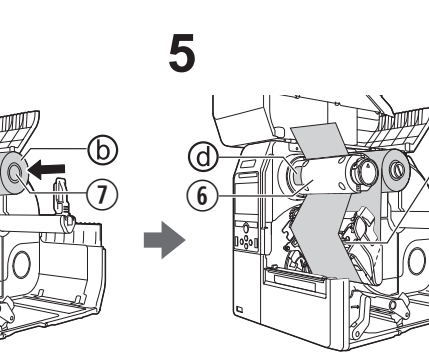
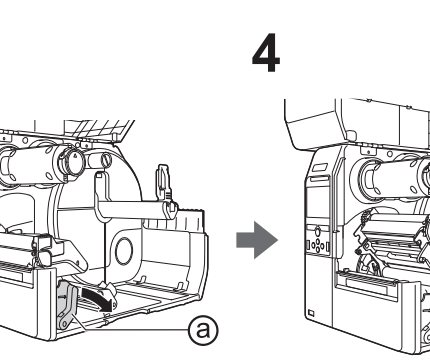
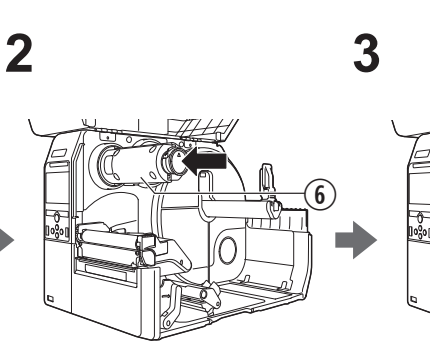
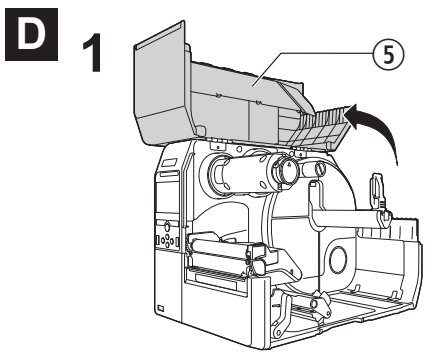
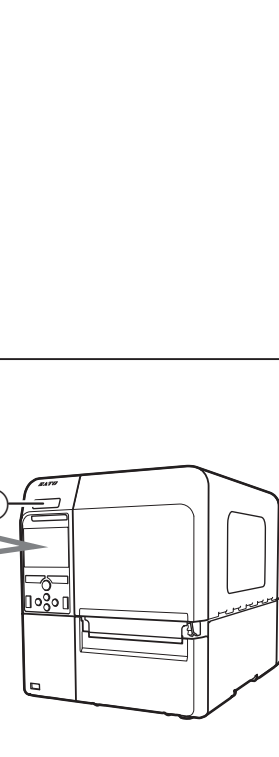
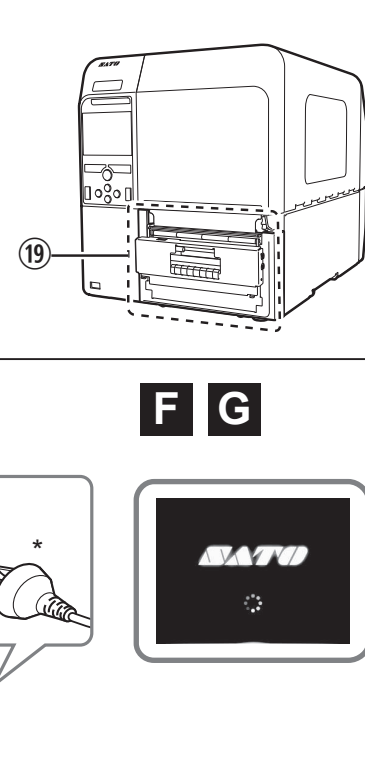
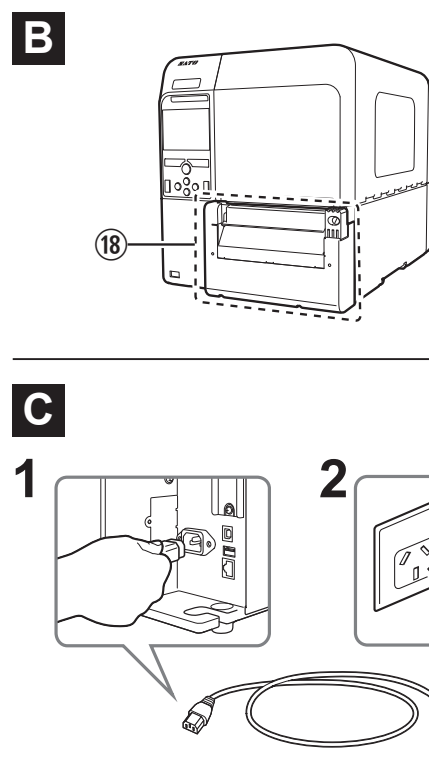
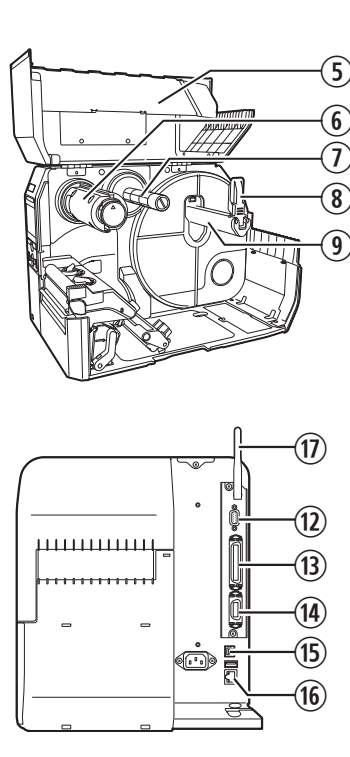
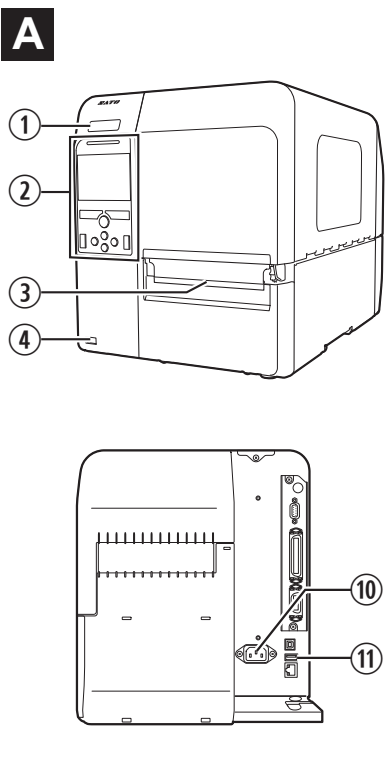
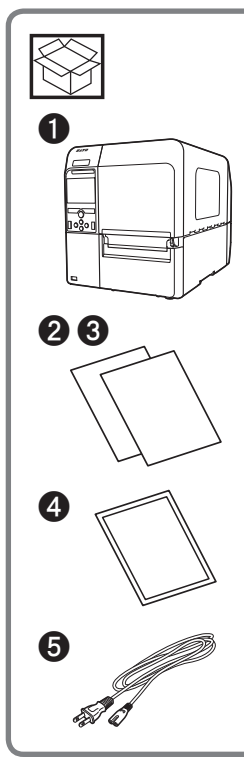
- Quick Guide
- Kurzanleitung
- Guía rápida
- Guide rapide
- Guida rápida
- Beknopte handleiding
- Skrócona instrukcja obsługi
- Guia rápido
- Snabbguide
- 퀵 가이드



Open Source Software
This printer product includes open source software applied to the open source software license. Please see our web site for more information.
<http://www.satoworldwide.com/licenses/OSS.aspx>



First edition: May, 2019
Q05290500
©2019 SATO Corporation



English

This is the quick start guide for your first operation.
For detail, refer to the operator manual available on your region's website (www.satoworldwide.com).

Accessories (A)
 1 CL4NX Plus 2 Quick guide 3 Global Warranty Program leaflet 4 Documents 5 Power cord*
 * The shape of power plug varies depending on the region.

Parts Identification (A)
 1 (Power) button 2 Operator panel 3 Media discharge outlet 4 USB connector (Type A) 5 Top cover 6 Ribbon rewind spindle 7 Ribbon supply spindle 8 Media holder guide 9 Media holder 10 AC input terminal 11 USB connector (Type A) 12 RS-232C connector 13 IEEE1284 connector 14 EXT connector 15 USB connector (Type B) 16 LAN connector 17 WLAN antenna (optional)

Options (B)
 18 Cutter unit 19 Dispenser unit

Connecting the Power Cord (C)
 1 Connect the power cord to the AC input terminal 11.
 2 Plug the power plug into an AC outlet.

Loading Ribbon (Thermal transfer model only) (D)
 1 Open the top cover 5 fully to prevent accidental dropping of the cover.
 2 Push the ribbon rewind spindle 6 all the way in.
 3 Push the head lock lever 7 toward the rear.
 4 Load and insert the ribbon 8 onto the ribbon supply spindle 7 all the way in while taking note of the wind direction.
 5 From the ribbon supply spindle 7, pass the ribbon below the print head 9.
 6 Wind the ribbon counterclockwise to the ribbon rewind spindle 6 and grip sheet 10.
 7 Press the print head 9 down until the head lock lever is locked.
 8 Close the top cover.

Loading Media (E)
 1 Open the top cover 5 fully to prevent accidental dropping of the cover.
 2 Push the head lock lever 7 toward the rear.
 3 Pull the media holder guide 8 and media guide 11 away from the product. Turn the knob 10 counterclockwise to release the media guide.
 4 Load the media roll firmly onto the media holder 9.
 5 Push the media holder guide 8 lightly against the media roll.
 6 Pass the media below the media damper 12 and the media sensor guide 13 while pushing the media toward the inside of the product. Make sure that the end of the media extends out the front of the product.
 7 Push the print head 9 down until the head lock lever is locked.
 8 Push the media guide 11 lightly against the rear side 14 of the media and turn the knob 10 to lock the media guide.
 9 Close the top cover.

Powering-On the Product (F)
 Press the (Power) button 1 until the LED of the operator panel lights in blue.

Starting Up the Product (Startup Guide) (G)
 When you power-on the product for the first time after purchase, the display shows the startup guide. The startup guide is to help you through the initial product settings, such as setting the time and date, and loading the ribbon and media.
 Follow the displayed instructions.
 You can close the startup guide and perform configuration later from the menu.

Powering-Off the Product
 1 Make sure that the product is in Offline mode.
 2 Press and hold the (Power) button 1 for more than two seconds.

Basic Specifications
Model name: CL4NX Plus
Print method: Direct thermal and Thermal transfer
Head speed (Resolution): 203, 305, 609 dpi (8, 12, 24 dots/mm)
Dimensions: 271 (W) x 457 (D) x 321 (H) mm (10.7 x 18.0 x 12.6 in.) (not including protruding parts)
Weight: Approx. 15.1 kg (33.3 lbs) (not including media and options)
Power requirements:
 (1) Input voltage: AC 100 - 240 V, 3.0 A, ±10 %
 (2) Frequency: 50 - 60 Hz
 (3) Power consumption
 Input power voltage condition: AC 230 V, 50 Hz
 At peak: 190 VA/180 W (at 30 % printing ratio)
 Standby: 40 VA/20 W

Environmental conditions (Temperature/Humidity):
 (1) Operating: 0 - 40 °C (32 - 104 °F), 30 - 80 % RH (non-condensing)
 (2) Storage: -20 - 60 °C (-4 - 140 °F), 30 - 90 % RH (non-condensing)

Technical Specification (B) Bluetooth (W) Wireless LAN
Frequency band: [B] 2402 - 2480 MHz, [W] 2412 - 2472 MHz, 5180 - 5320 MHz, 5500 - 5700 MHz, 5519 - 5310 MHz, 5510 - 5670 MHz, Modulation: [B] GFSK, DQPSK, 8DPSK, [W] DSSS, OFDM-CCK, OFDM, Max. output power: [B] ≤ 10 dBm, [W] ≤ 16 dBm, Antenna Gain: [B] +1.4 dBi, [W] +2.5 dBi

Technical Specification (B) Bluetooth (W) Wireless LAN
Frequency band: [B] 2402 - 2480 MHz, [W] 2412 - 2472 MHz, 5180 - 5320 MHz, 5500 - 5700 MHz, 5519 - 5310 MHz, 5510 - 5670 MHz, Modulation: [B] GFSK, DQPSK, 8DPSK, [W] DSSS, OFDM-CCK, OFDM, Max. output power: [B] ≤ 10 dBm, [W] ≤ 16 dBm, Antenna Gain: [B] +1.4 dBi, [W] +2.5 dBi

Technical Specification (B) Bluetooth (W) Wireless LAN
Frequency band: [B] 2402 - 2480 MHz, [W] 2412 - 2472 MHz, 5180 - 5320 MHz, 5500 - 5700 MHz, 5519 - 5310 MHz, 5510 - 5670 MHz, Modulation: [B] GFSK, DQPSK, 8DPSK, [W] DSSS, OFDM-CCK, OFDM, Max. output power: [B] ≤ 10 dBm, [W] ≤ 16 dBm, Antenna Gain: [B] +1.4 dBi, [W] +2.5 dBi

Technical Specification (B) Bluetooth (W) Wireless LAN
Frequency band: [B] 2402 - 2480 MHz, [W] 2412 - 2472 MHz, 5180 - 5320 MHz, 5500 - 5700 MHz, 5519 - 5310 MHz, 5510 - 5670 MHz, Modulation: [B] GFSK, DQPSK, 8DPSK, [W] DSSS, OFDM-CCK, OFDM, Max. output power: [B] ≤ 10 dBm, [W] ≤ 16 dBm, Antenna Gain: [B] +1.4 dBi, [W] +2.5 dBi

Technical Specification (B) Bluetooth (W) Wireless LAN
Frequency band: [B] 2402 - 2480 MHz, [W] 2412 - 2472 MHz, 5180 - 5320 MHz, 5500 - 5700 MHz, 5519 - 5310 MHz, 5510 - 5670 MHz, Modulation: [B] GFSK, DQPSK, 8DPSK, [W] DSSS, OFDM-CCK, OFDM, Max. output power: [B] ≤ 10 dBm, [W] ≤ 16 dBm, Antenna Gain: [B] +1.4 dBi, [W] +2.5 dBi

Technical Specification (B) Bluetooth (W) Wireless LAN
Frequency band: [B] 2402 - 2480 MHz, [W] 2412 - 2472 MHz, 5180 - 5320 MHz, 5500 - 5700 MHz, 5519 - 5310 MHz, 5510 - 5670 MHz, Modulation: [B] GFSK, DQPSK, 8DPSK, [W] DSSS, OFDM-CCK, OFDM, Max. output power: [B] ≤ 10 dBm, [W] ≤ 16 dBm, Antenna Gain: [B] +1.4 dBi, [W] +2.5 dBi

Technical Specification (B) Bluetooth (W) Wireless LAN
Frequency band: [B] 2402 - 2480 MHz, [W] 2412 - 2472 MHz, 5180 - 5320 MHz, 5500 - 5700 MHz, 5519 - 5310 MHz, 5510 - 5670 MHz, Modulation: [B] GFSK, DQPSK, 8DPSK, [W] DSSS, OFDM-CCK, OFDM, Max. output power: [B] ≤ 10 dBm, [W] ≤ 16 dBm, Antenna Gain: [B] +1.4 dBi, [W] +2.5 dBi

Technical Specification (B) Bluetooth (W) Wireless LAN
Frequency band: [B] 2402 - 2480 MHz, [W] 2412 - 2472 MHz, 5180 - 5320 MHz, 5500 - 5700 MHz, 5519 - 5310 MHz, 5510 - 5670 MHz, Modulation: [B] GFSK, DQPSK, 8DPSK, [W] DSSS, OFDM-CCK, OFDM, Max. output power: [B] ≤ 10 dBm, [W] ≤ 16 dBm, Antenna Gain: [B] +1.4 dBi, [W] +2.5 dBi

Technical Specification (B) Bluetooth (W) Wireless LAN
Frequency band: [B] 2402 - 2480 MHz, [W] 2412 - 2472 MHz, 5180 - 5320 MHz, 5500 - 5700 MHz, 5519 - 5310 MHz, 5510 - 5670 MHz, Modulation: [B] GFSK, DQPSK, 8DPSK, [W] DSSS, OFDM-CCK, OFDM, Max. output power: [B] ≤ 10 dBm, [W] ≤ 16 dBm, Antenna Gain: [B] +1.4 dBi, [W] +2.5 dBi

Technical Specification (B) Bluetooth (W) Wireless LAN
Frequency band: [B] 2402 - 2480 MHz, [W] 2412 - 2472 MHz, 5180 - 5320 MHz, 5500 - 5700 MHz, 5519 - 5310 MHz, 5510 - 5670 MHz, Modulation: [B] GFSK, DQPSK, 8DPSK, [W] DSSS, OFDM-CCK, OFDM, Max. output power: [B] ≤ 10 dBm, [W] ≤ 16 dBm, Antenna Gain: [B] +1.4 dBi, [W] +2.5 dBi

Technical Specification (B) Bluetooth (W) Wireless LAN
Frequency band: [B] 2402 - 2480 MHz, [W] 2412 - 2472 MHz, 5180 - 5320 MHz, 5500 - 5700 MHz, 5519 - 5310 MHz, 5510 - 5670 MHz, Modulation: [B] GFSK, DQPSK, 8DPSK, [W] DSSS, OFDM-CCK, OFDM, Max. output power: [B] ≤ 10 dBm, [W] ≤ 16 dBm, Antenna Gain: [B] +1.4 dBi, [W] +2.5 dBi

Technical Specification (B) Bluetooth (W) Wireless LAN
Frequency band: [B] 2402 - 2480 MHz, [W] 2412 - 2472 MHz, 5180 - 5320 MHz, 5500 - 5700 MHz, 5519 - 5310 MHz, 5510 - 5670 MHz, Modulation: [B] GFSK, DQPSK, 8DPSK, [W] DSSS, OFDM-CCK, OFDM, Max. output power: [B] ≤ 10 dBm, [W] ≤ 16 dBm, Antenna Gain: [B] +1.4 dBi, [W] +2.5 dBi

Technical Specification (B) Bluetooth (W) Wireless LAN
Frequency band: [B] 2402 - 2480 MHz, [W] 2412 - 2472 MHz, 5180 - 5320 MHz, 5500 - 5700 MHz, 5519 - 5310 MHz, 5510 - 5670 MHz, Modulation: [B] GFSK, DQPSK, 8DPSK, [W] DSSS, OFDM-CCK, OFDM, Max. output power: [B] ≤ 10 dBm, [W] ≤ 16 dBm, Antenna Gain: [B] +1.4 dBi, [W] +2.5 dBi

Technical Specification (B) Bluetooth (W) Wireless LAN
Frequency band: [B] 2402 - 2480 MHz, [W] 2412 - 2472 MHz, 5180 - 5320 MHz, 5500 - 5700 MHz, 5519 - 5310 MHz, 5510 - 5670 MHz, Modulation: [B] GFSK, DQPSK, 8DPSK, [W] DSSS, OFDM-CCK, OFDM, Max. output power: [B] ≤ 10 dBm, [W] ≤ 16 dBm, Antenna Gain: [B] +1.4 dBi, [W] +2.5 dBi

Technical Specification (B) Bluetooth (W) Wireless LAN
Frequency band: [B] 2402 - 2480 MHz, [W] 2412 - 2472 MHz, 5180 - 5320 MHz, 5500 - 5700 MHz, 5519 - 5310 MHz, 5510 - 5670 MHz, Modulation: [B] GFSK, DQPSK, 8DPSK, [W] DSSS, OFDM-CCK, OFDM, Max. output power: [B] ≤ 10 dBm, [W] ≤ 16 dBm, Antenna Gain: [B] +1.4 dBi, [W] +2.5 dBi

Technical Specification (B) Bluetooth (W) Wireless LAN
Frequency band: [B] 2402 - 2480 MHz, [W] 2412 - 2472 MHz, 5180 - 5320 MHz, 5500 - 5700 MHz, 5519 - 5310 MHz, 5510 - 5670 MHz, Modulation: [B] GFSK, DQPSK, 8DPSK, [W] DSSS, OFDM-CCK, OFDM, Max. output power: [B] ≤ 10 dBm, [W] ≤ 16 dBm, Antenna Gain: [B] +1.4 dBi, [W] +2.5 dBi

Technical Specification (B) Bluetooth (W) Wireless LAN
Frequency band: [B] 2402 - 2480 MHz, [W] 2412 - 2472 MHz, 5180 - 5320 MHz, 5500 - 5700 MHz, 5519 - 5310 MHz, 5510 - 5670 MHz, Modulation: [B] GFSK, DQPSK, 8DPSK, [W] DSSS, OFDM-CCK, OFDM, Max. output power: [B] ≤ 10 dBm, [W] ≤ 16 dBm, Antenna Gain: [B] +1.4 dBi, [W] +2.5 dBi

Technical Specification (B) Bluetooth (W) Wireless LAN
Frequency band: [B] 2402 - 2480 MHz, [W] 2412 - 2472 MHz, 5180 - 5320 MHz, 5500 - 5700 MHz, 5519 - 5310 MHz, 5510 - 5670 MHz, Modulation: [B] GFSK, DQPSK, 8DPSK, [W] DSSS, OFDM-CCK, OFDM, Max. output power: [B] ≤ 10 dBm, [W] ≤ 16 dBm, Antenna Gain: [B] +1.4 dBi, [W] +2.5 dBi

Technical Specification (B) Bluetooth (W) Wireless LAN
Frequency band: [B] 2402 - 2480 MHz, [W] 2412 - 2472 MHz, 5180 - 5320 MHz, 5500 - 5700 MHz, 5519 - 5310 MHz, 5510 - 5670 MHz, Modulation: [B] GFSK, DQPSK, 8DPSK, [W] DSSS, OFDM-CCK, OFDM, Max. output power: [B] ≤ 10 dBm, [W] ≤ 16 dBm, Antenna Gain: [B] +1.4 dBi, [W] +2.5 dBi

Technical Specification (B) Bluetooth (W) Wireless LAN
Frequency band: [B] 2402 - 2480 MHz, [W] 2412 - 2472 MHz, 5180 - 5320 MHz, 5500 - 5700 MHz, 5519 - 5310 MHz, 5510 - 5670 MHz, Modulation: [B] GFSK, DQPSK, 8DPSK, [W] DSSS, OFDM-CCK, OFDM, Max. output power: [B] ≤ 10 dBm, [W] ≤ 16 dBm, Antenna Gain: [B] +1.4 dBi, [W] +2.5 dBi

Technical Specification (B) Bluetooth (W) Wireless LAN
Frequency band: [B] 2402 - 2480 MHz, [W] 2412 - 2472 MHz, 5180 - 5320 MHz, 5500 - 5700 MHz, 5519 - 5310 MHz, 5510 - 5670 MHz, Modulation: [B] GFSK, DQPSK, 8DPSK, [W] DSSS, OFDM-CCK, OFDM, Max. output power: [B] ≤ 10 dBm, [W] ≤ 16 dBm, Antenna Gain: [B] +1.4 dBi, [W] +2.5 dBi

Technical Specification (B) Bluetooth (W) Wireless LAN
Frequency band: [B] 2402 - 2480 MHz, [W] 2412 - 2472 MHz, 5180 - 5320 MHz, 5500 - 5700 MHz, 5519 - 5310 MHz, 5510 - 5670 MHz, Modulation: [B] GFSK, DQPSK, 8DPSK, [W] DSSS, OFDM-CCK, OFDM, Max. output power: [B] ≤ 10 dBm, [W] ≤ 16 dBm, Antenna Gain: [B] +1.4 dBi, [W] +2.5 dBi

Technical Specification (B) Bluetooth (W) Wireless LAN
Frequency band: [B] 2402 - 2480 MHz, [W] 2412 - 2472 MHz, 5180 - 5320 MHz, 5500 - 5700 MHz, 5519 - 5310 MHz, 5510 - 5670 MHz, Modulation: [B] GFSK, DQPSK, 8DPSK, [W] DSSS, OFDM-CCK, OFDM, Max. output power: [B] ≤ 10 dBm, [W] ≤ 16 dBm, Antenna Gain: [B] +1.4 dBi, [W] +2.5 dBi

Technical Specification (B) Bluetooth (W) Wireless LAN
Frequency band: [B] 2402 - 2480 MHz, [W] 2412 - 2472 MHz, 5180 - 5320 MHz, 5500 - 5700 MHz, 5519 - 5310 MHz, 5510 - 5670 MHz, Modulation: [B] GFSK, DQPSK, 8DPSK, [W] DSSS, OFDM-CCK, OFDM, Max. output power: [B] ≤ 10 dBm, [W] ≤ 16 dBm, Antenna Gain: [B] +1.4 dBi, [W] +2.5 dBi

Technical Specification (B) Bluetooth (W) Wireless LAN
Frequency band: [B] 2402 - 2480 MHz, [W] 2412 - 2472 MHz, 5180 - 5320 MHz, 5500 - 5700 MHz, 5519 - 5310 MHz, 5510 - 5670 MHz, Modulation: [B] GFSK, DQPSK, 8DPSK, [W] DSSS, OFDM-CCK, OFDM, Max. output power: [B] ≤ 10 dBm, [W] ≤ 16 dBm, Antenna Gain: [B] +1.4 dBi, [W] +2.5 dBi

Technical Specification (B) Bluetooth (W) Wireless LAN
Frequency band: [B] 2402 - 2480 MHz, [W] 2412 - 2472 MHz, 5180 - 5320 MHz, 5500 - 5700 MHz, 5519 - 5310 MHz, 5510 - 5670 MHz, Modulation: [B] GFSK, DQPSK, 8DPSK, [W] DSSS, OFDM-CCK, OFDM, Max. output power: [B] ≤ 10 dBm, [W] ≤ 16 dBm, Antenna Gain: [B] +1.4 dBi, [W] +2.5 dBi

Technical Specification (B) Bluetooth (W) Wireless LAN
Frequency band: [B] 2402 - 2480 MHz, [W] 2412 - 2472 MHz, 5180 - 5320 MHz, 5500 - 5700 MHz, 5519 - 5310 MHz, 5510 - 5670 MHz, Modulation: [B] GFSK, DQPSK, 8DPSK, [W] DSSS, OFDM-CCK, OFDM, Max. output power: [B] ≤ 10 dBm, [W] ≤ 16 dBm, Antenna Gain: [B] +1.4 dBi, [W] +2.5 dBi

Umgebungsbedingungen (Temperatur/Luftfeuchtigkeit):
 (1) Bei Betrieb: 0 - 40 °C, 30 - 80 % rel. F. (nicht kondensierend)
 (2) Bei Lagerung: -20 - 60 °C, 30 - 90 % rel. F. (nicht kondensierend)

Technische Daten (B) Bluetooth (W) WLAN
Frequenzbereich: [B] 2402 - 2480 MHz, [W] 2412 - 2472 MHz, 5180 - 5320 MHz, 5500 - 5700 MHz, 5519 - 5310 MHz, 5510 - 5670 MHz, Modulation: [B] GFSK, DQPSK, 8DPSK, [W] DSSS, OFDM-CCK, OFDM, Max. Ausgangsleistung: [B] ≤ 10 dBm, [W] ≤ 16 dBm, Antennenverstärkung: [B] +1,4 dBi, [W] +2,5 dBi

Das Gerät ist nicht für die Benutzung im unmittelbaren Gesichtsfeld am Bildschirmarbeitsplatz vorgesehen.
 Um störende Reflexionen am Bildschirmarbeitsplatz zu vermeiden, darf dieses Produkt nicht im unmittelbaren Gesichtsfeld platziert werden.

Español

El presente documento es la guía de inicio rápido para el primer uso.
 Para obtener más información, consulte el manual de usuario disponible en el sitio web de su región (www.satoworldwide.com).

Accesorios (A)
 1 CL4NX Plus 2 Guía rápida 3 Especificaciones de garantía 4 Documentos 5 Cable de corriente*
 * La forma de la clavija varía en función de la región.

Identificación de las piezas (A)
 1 Tecla (Power) 2 Panel del operador 3 Salida de etiquetas 4 Conector USB (Tipo A) 5 Cubierta superior 6 Perno suministrador de la cinta de tinta 7 Perno suministrador de la cinta de tinta 8 Guía de etiquetas 9 Soporte del rollo de etiquetas 10 Terminal de entrada de corriente alterna (AC) 11 Conector USB (Tipo A) 12 Conector RS-232C 13 Conector IEEE1284 14 Conector EXT 15 Conector USB (Tipo B) 16 Conector LAN 17 Antena WLAN (opcional)

Opciones (B)
 18 Unidad del cortador 19 Unidad del dispensadora

Conexión del cable de corriente (C)
 1 Conecte el cable de corriente al terminal de entrada de corriente alterna (CA) 11.
 2 Conecte el enchufe de corriente a un tomacorriente.

Carga de la cinta (solo modelo de transferencia térmica) (D)
 1 Abra totalmente la cubierta superior 5 para evitar que la cubierta se caiga de forma accidental.
 2 Encaje completamente el perno rebobinador de la cinta de tinta 6.
 3 Empuje la palanca de bloqueo del cabezal 7 hacia atrás.
 4 Cargue e inserte completamente la cinta 8 en el perno suministrador de la cinta de tinta 7 mientras se fija en la dirección de rebobinado.
 5 Desde el perno suministrador de la cinta de tinta 7, pase la cinta por debajo del cabezal de impresión 9.
 6 Rebobine la cinta en sentido contrario a las agujas del reloj hacia el perno rebobinador de la cinta de tinta 6 y la hoja de agarre 10.
 7 Presione hacia abajo el cabezal de impresión 9 hasta que la palanca de bloqueo del cabezal esté bloqueada.
 8 Cierre la cubierta superior.

Carga de papel (E)
 1 Abra totalmente la cubierta superior 5 para evitar que la cubierta se caiga de forma accidental.
 2 Empuje la palanca de bloqueo del cabezal 7 hacia atrás.
 3 Retire la guía de etiquetas 8 y la guía del papel 11 del producto. Gire la perilla 10 en sentido contrario a las agujas del reloj para soltar la guía del papel.
 4 Cargue con firmeza el rollo de papel en el soporte del rollo de etiquetas 9.
 5 Empuje ligeramente la guía de etiquetas 8 contra el rollo de papel.
 6 Pase el papel por debajo del regulador de papel 12 y de la guía del sensor de papel 13 mientras empuje el papel hacia dentro del producto. Asegúrese de que el extremo del papel sobresale por la parte delantera del producto.
 7 Presione hacia abajo el cabezal de impresión 9 hasta que la palanca de bloqueo del cabezal esté bloqueada.
 8 Presione ligeramente la guía del papel 11 contra el lateral cercano 14 del papel y gire la perilla 10 para bloquear la guía del papel.
 9 Cierre la cubierta superior.

Encendido del producto (F)
 Pulse el tecla (Encendido) 1 del panel del operador hasta que el LED se ilumine de color azul.

Inicio del producto (Guía de inicio) (G)
 Cuando encienda el producto por primera vez tras la compra, se mostrará en la pantalla la guía de inicio. La guía de inicio le ayudará a realizar los ajustes iniciales del producto, como la configuración de la hora y la fecha y la carga de la cinta y del papel.
 Siga las instrucciones que aparecen en la pantalla.
 Puede cerrar la guía de inicio y configurar los ajustes más tarde desde el menú.

Apagado del producto
 1 Asegúrese de que el producto está en modo "Offline".
 2 Mantenga pulsado el tecla (Encendido) 1 durante más de dos segundos.

Especificaciones básicas
Nombre del modelo: CL4NX Plus
Método de impresión: Térmica directa y de Transferencia térmica
Densidad de cabezales (Resolución): 203, 305, 609 ppp (8, 12, 24 puntos/mm)
Dimensiones: 271 (An) x 457 (P) x 321 (Al) mm (10,7 x 18,0 x 12,6 in.) (excepto las partes salientes)
Peso: Aprox. 15,1 kg (33,3 lb) (sin incluir el papel ni los accesorios)
Requisitos de alimentación de corriente:
 (1) Voltaje de entrada: AC 100 - 240 V, 3.0 A, ±10 %
 (2) Frecuencia: 50 - 60 Hz
 (3) Consumo de Energía
 Condiciones de voltaje de entrada de corriente: AC 230 V, 50 Hz
 Máximo: 190 VA/180 W (con 30% impreso)
 En standby: 40 VA/20 W

Condiciones ambientales (Temperatura/Humedad):
 (1) En funcionamiento: 0 - 40 °C (32 - 104 °F), 30 - 80 % RH (sin condensación)
 (2) En almacenamiento: -20 - 60 °C (-4 - 140 °F), 30 - 90 % RH (sin condensación)

Condiciones ambientales (Temperatura/Humedad):
 (1) En funcionamiento: 0 - 40 °C (32 - 104 °F), 30 - 80 % RH (sin condensación)
 (2) En almacenamiento: -20 - 60 °C (-4 - 140 °F), 30 - 90 % RH (sin condensación)

Condiciones ambientales (Temperatura/Humedad):
 (1) En funcionamiento: 0 - 40 °C (32 - 104 °F), 30 - 80 % RH (sin condensación)
 (2) En almacenamiento: -20 - 60 °C (-4 - 140 °F), 30 - 90 % RH (sin condensación)

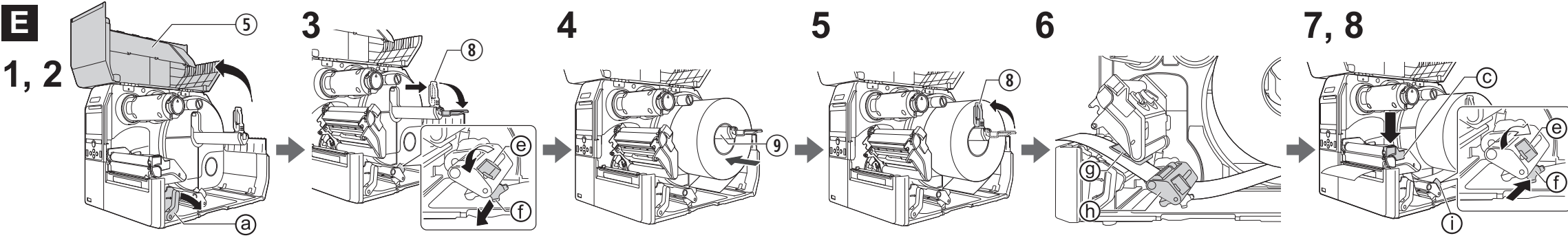
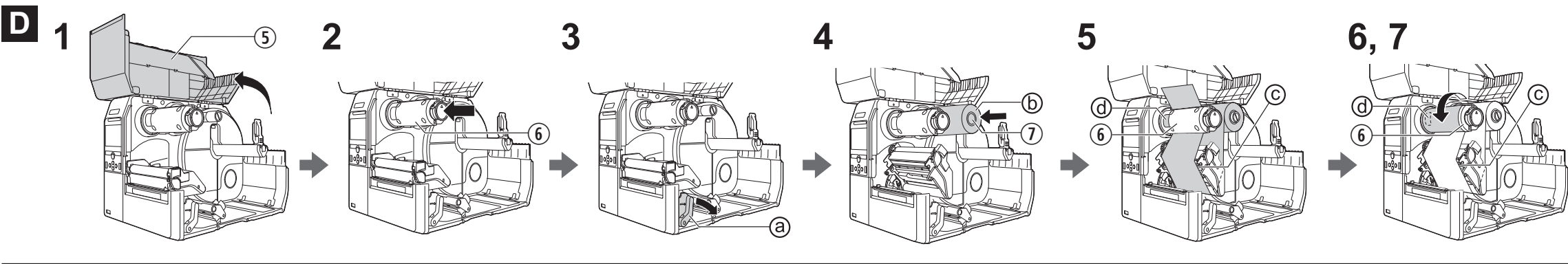
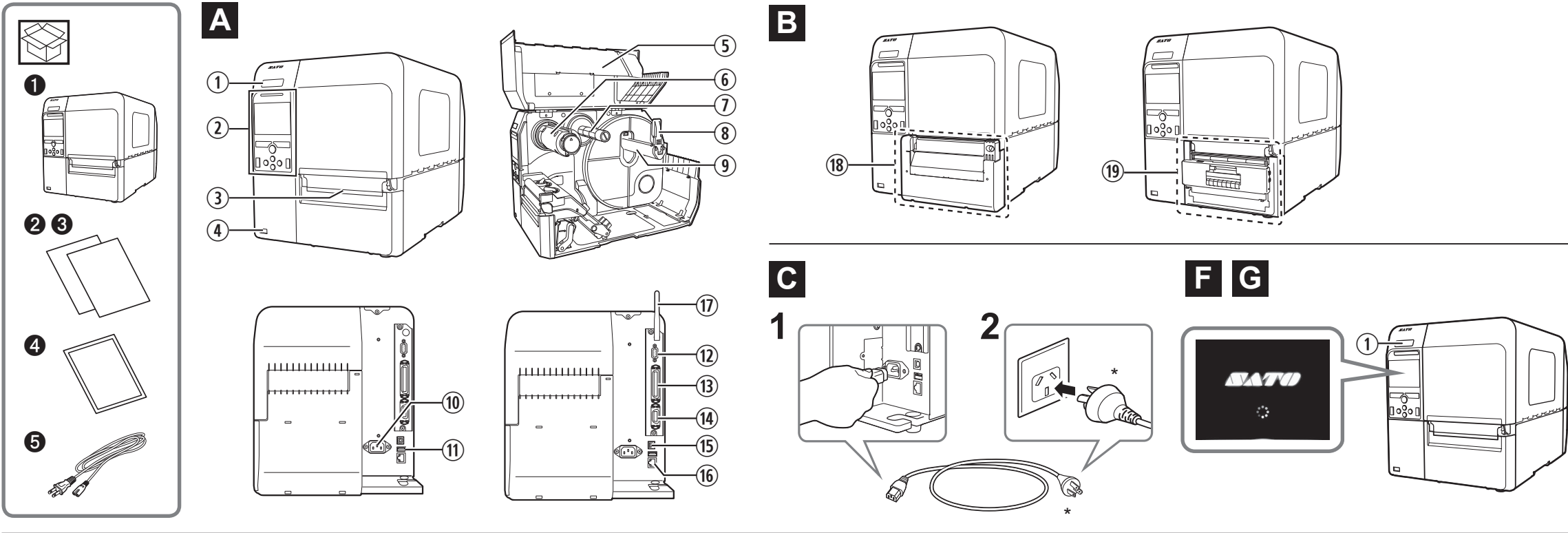
Condiciones ambientales (Temperatura/Humedad):
 (1) En funcionamiento: 0 - 40 °C (32 - 104 °F), 30 - 80 % RH (sin condensación)
 (2) En almacenamiento: -20 - 60 °C (-4 - 140 °F), 30 - 90 % RH (sin condensación)

Condiciones ambientales (Temperatura/Humedad):
 (1) En funcionamiento: 0 - 40 °C (32 - 104 °F), 30 - 80 % RH (sin condensación)
 (2) En almacenamiento: -20 - 60 °C (-4 - 140 °F), 30 - 90 % RH (sin condensación)

Condiciones ambientales (Temperatura/Humedad):
 (1) En funcionamiento: 0 - 40 °C (32 - 104 °F), 30 - 80 % RH (sin condensación)
 (2) En almacenamiento: -20 - 60 °C (-4 - 140 °F), 30 - 90 % RH (sin condensación)

Condiciones ambientales (Temperatura/Humedad):
 (1) En funcionamiento: 0 - 40 °C (32 - 104 °F), 30 - 80 % RH (sin condensación)
 (2) En almacenamiento: -20 - 60 °C (-4 - 140 °F), 30 - 90 % RH (sin condensación)

Condiciones ambientales (Temperatura/Humedad):
 (1) En funcionamiento: 0 - 40 °C (32 - 104 °F), 30 - 80 % RH (sin condensación)
 (2) En almacenamiento: -20 - 60 °C (-4 - 140 °F), 30 - 90 % RH (sin condensación)



Nederlands

Dit is de snelstarthandleiding voor eerste ingebruikname. Meer informatie vindt u in de gebruikershandleiding op de website van uw regio (www.satoworldwide.com).

Accessoires (☒) 1 CL4NX Plus 2 Beknopte handleiding 3 Brochure met wereldwijd garantieprogramma 4 Documenten 5 Netstroomsoer * De vorm van de stekker verschilt afhankelijk van de regio.

Identificatie van onderdelen (A) 1 Aan-uitknop 2 Bedieningspaneel 3 Uitgang voor media 4 USB-aansluiting (Type A) 5 Bovenklep 6 Lintoprolspool 7 Linttoevoerspoel 8 Geleider voor de papierhouder 9 Papierhouder 10 AC-aansluiting 11 USB-aansluiting (Type A) 12 RS-232C-aansluiting 13 IEEE1284-aansluiting 14 EXT-aansluiting 15 USB-aansluiting (Type B) 16 LAN-aansluiting 17 WLAN-antenne (optioneel)

Opties (B) 18 Snijselheid 19 Dispenser

Het stroomsoer aansluiten (C) 1 Sluit het netstroomsoer aan op de AC-aansluiting 2 Steek de stekker in een stopcontact.

Lint plaatsen (enkel voor model met thermische overdracht) (D) 1 Open de bovenklep 2 Volledig zodat deze niet per ongeluk opnieuw naar beneden valt. 3 Duw het lintoprolspool 4 volledig naar binnen.

4 Laad en plaats het lint 5 op het linttoevoerspoel 6 en het hierbij op de oprolrichting. 5 Breng het lint van het linttoevoerspoel 7 tot onder de printkop 8. 6 Draai het lint tegen de klok in op het lintoprolspool 9 en klem het gripvel 10. 7 Duw de printkop 11 naar beneden tot de vergrendelingshendel printkop vergrendeld wordt. 8 Sluit de bovenklep.

Papier plaatsen (E) 1 Open de bovenklep 2 Volledig zodat deze niet per ongeluk opnieuw naar beneden valt. 3 Duw de vergrendelingshendel printkop 4 naar achteren. 4 Trek de geleider voor de papierhouder 5 en de papiergeleider 6 weg van het product. Draai het klepje 7 tegen de klok in om de papiergeleider te ontgrendelen. 4 Plaats de papierrol op de papierhouder 8. 5 Duw de geleider voor de papierhouder 9 lichtjes tegen de papierrol. 6 Trek het papier onder de papiergeleider 10 en de geleider voor de papersensor door 11 terwijl u het papier naar de binnenkant van het product duwt. Zorg ervoor dat het einde van het papier tot voorbij de voorzijde van het product komt. 7 Duw de printkop 12 naar beneden tot de vergrendelingshendel printkop vergrendeld wordt. 8 Druk de papiergeleider 11 lichtjes tegen de achterzijde 1 van het papier en draai aan het klepje 7 om de papiergeleider te vergrendelen. 9 Sluit de bovenklep.

Het product aanschakelen (F) Druk op de Aan-uit-knop 1 van het bedieningspaneel tot de LED blauw oplicht.

Het product opstarten (Gebruikershandleiding) (G) Als u het product voor de eerste keer na aankoop aanschakelt, wordt de gebruikershandleiding op het scherm weergegeven. De gebruikershandleiding helpt u bij de startinstellingen van het product, zoals het uur en de datum en het plaatsen van het papier. Volg de instructies die worden weergegeven. U kunt de gebruikershandleiding sluiten en de configuratie later uitvoeren van op het menu.

Het product uitschakelen 1 Zorg ervoor dat het product zich in de Offline-modus bevindt. 2 Houd de Aan-uit-knop 1 ingedrukt gedurende meer dan twee seconden.

Basisspecificaties Modelnaam: CL4NX Plus **Afdrukmethode:** Direct thermisch en Thermische overdracht **Kop dichtheid (Resolutie):** 203, 305, 609 dpi (8, 12, 24 dots/mm) **Afmetingen:** 271 (B) x 457 (D) x 321 (H) mm (behalve onderdelen die uitsteken) **Gewicht:** ca. 15,1 kg (exclusief papier en opties) **Stroomvereisten:** (1) Ingangsspanning: AC 100 - 240 V, 3,0 A, ±10 % (2) Frequentie: 50 - 60 Hz (3) Stroomverbruik: Ingangsstroom spanning conditie: AC 230 V, 50 Hz Bij piek: 190 VA/180 W (bij 30 % afdruckerhouding) Stand-by: 40 VA/20 W

Omgevingscondities (Temperatuur/Luchtvochtigheid): (1) In werking: 0 - 40 °C, 30 - 80 % RH (niet-condenserend) (2) In opslag: -20 - 60 °C, 30 - 90 % RH (niet-condenserend) **Technische specificatie (B) Bluetooth (W) Draadloze LAN) Frequentieband: [B] 2402 - 2480 MHz, [W] 2412 - 2472 MHz, 5180 - 5320 MHz, 5500 - 5700 MHz, 5519 - 5310 MHz, 5510 - 5670 MHz, Modulate: [B] GFSK, DQPSK, 8DPSK, [W] DSSS, OFDM-CCK, OFDM, Max. uitgangsvermogen: [B] ≤ 10 dBm, [W] ≤ 16 dBm, Antenneversterking: [B] +1,4 dbi, [W] +2,5 dbi**

Polski

Niniejszy dokument to skrócona instrukcja umożliwiająca rozpoczęcie pracy. Szczegółowe informacje znajdujący się w podręczniku operatora dostępnym w lokalnej witrynie internetowej (www.satoworldwide.com).

Akcesoria (☒) 1 CL4NX Plus 2 Skrócona instrukcja obsługi 3 Broszura Globalny program gwarancyjny 4 Dokumenty 5 Przewód zasilający * Kształt wtyczki zasilającej zależy od regionu użytkownika.

Identyfikacja części (A) 1 Przycisk 2 Panel operatora 3 Otwór wyjściowy nośnika 4 Złącze USB (Typ A) 5 Pokrywa górną 6 Trzpień przewijania taśmy 7 Trzpień podawania taśmy 8 Prowadnicę uchwyty nośnika 9 Uchwyt etykiety 10 Złącze USB (Typ A) 11 Złącze RS-232C 12 Złącze IEEE1284 13 Złącze EXT 14 Złącze USB (Typ B) 15 Złącze LAN 16 Antena WLAN (opcja)

Opcje (B) 17 Moduł obcinaka 18 Moduł podajnika

Podłączenie kabla zasilającego (C) 1 Podłączyć przewód zasilający do gniazda zasilania 2 Podłączyć wtyczkę zasilającą do gniazda sieciowego.

Ładowanie taśmy (tylko modele termotransferowe) (D) 1 Całkowicie otwórz pokrywę górną 2, aby zapobiec jej przypadkowemu opuszczeniu. 2 Całkowicie wpełnij trzpień przewijania taśmy 3. 3 Popchnij do tyłu dźwignię blokady głowicy 4. 4 Załaduj i całkowicie wkręć taśmę 5 na trzpień podawania taśmy 7, zwracając uwagę na kierunek przewijania. 5 Z trzpienia podawania taśmy 7 przeprowadź taśmę pod głowicą drukującą 8. 6 Nawini taśmę na trzpień przewijania taśmy 6 w kierunku przeciwnym do ruchu wskazówek zegara i pola chwytynego 9. 7 Docisnij głowicę drukującą 10 w dół, tak aby zablokowała się dźwignia blokady głowicy. 8 Zamknij pokrywę górną.

Ładowanie nośnika (E) 1 Całkowicie otwórz pokrywę górną 2, aby zapobiec jej przypadkowemu opuszczeniu. 2 Popchnij do tyłu dźwignię blokady głowicy 3. 3 Pociągnij prowadnicę uchwyty nośnika 4 i prowadnicę etykiety 5 w kierunku od produktu. Obróć pokrętkę 6 w lewo, aby zwolnić prowadnicę nośnika. 4 Załaduj rolkę nośnika mocno na uchwyt etykiety 7. 5 Ostrożnie wpełnij prowadnicę uchwyty nośnika 8 na rolkę nośnika. 6 Przeprowadź nośnik pod amortyzatorem 9 i prowadnicą czujnika nośnika 10, jednocześnie przepychając nośnik w stronę wnętrza produktu. Upewnij się, że końcówka nośnika wysuwa się z przodu produktu. 7 Docisnij głowicę drukującą 11 w dół, tak aby zablokowała się dźwignia blokady głowicy. 8 Ostrożnie docisnij prowadnicę etykiety 12 do najbliższego boku 1 nośnika i obróć pokrętkę 6, aby zablokować prowadnicę. 9 Zamknij pokrywę górną.

Włączanie zasilania produktu (F) Naciśnij przycisk 1 (zasilanie) 1 na panelu operatora i poczekaj, aż dioda LED zacznie świecić na niebiesko.

Włączanie produktu (Instrukcja konfiguracji) (G)

Po pierwszym włączeniu zasilania drukarka po zakupie na ekranie zostanie wyświetlona instrukcja konfiguracji. Instrukcja konfiguracji ułatwia przeprowadzenie początkowej konfiguracji produktu, na przykład ustawienie daty i godziny oraz załadowanie taśmy i nośnika. Należy postępować zgodnie z wyświetlanymi instrukcjami. Instrukcję konfiguracji można zamknąć, a konfigurację wykonać w późniejszym czasie, wydłużając ją z menu.

Wyłączanie zasilania produktu 1 Upewnij się, że produkt pracuje w trybie offline. 2 Naciśnij i przytrzymaj przycisk 1 (zasilanie) 1 przez co najmniej dwie sekundy.

Podstawowe dane techniczne **Nazwa modelu:** CL4NX Plus **Metoda druku:** Bezpośredni druk termiczny i Termotransferowy **Gęstość głowicy (Rozdzielczość):** 203, 305, 609 dpi (8, 12, 24 pkt/mm) **Wymiary:** 271 (szer.) x 457 (gł.) x 321 (wys.) mm (bez wystających części) **Waga:** ok. 15,1 kg (bez nośnika i akcesoriów)

Wymagania dotyczące zasilania: (1) Napięcie wejściowe: AC 100 - 240 V, 3,0 A, ±10 % (2) Częstotliwość: 50 - 60 Hz (3) Zużycie prądu: Przy napięciu wejściowym: AC 230 V, 50 Hz Szczytowe: 190 VA/180 W (przy współczynniku druku 30 %) Tryb gotowości: 40 VA/20 W **Warunki środowiskowe (Temperatura/Wilgotność):** (1) Działanie: 0 - 40 °C, wilgotność względna 30 - 80 % (bez kondensacji) (2) Przechowywanie: -20 - 60 °C, wilgotność względna 30 - 90 % (bez kondensacji)

Specyfikacja techniczna (B) Bluetooth (W) Bezprzewodowa sieć LAN) Pasmo częstotliwości: [B] 2402 - 2480 MHz, [W] 2412 - 2472 MHz, 5180 - 5320 MHz, 5500 - 5700 MHz, 5519 - 5310 MHz, 5510 - 5670 MHz, Modulacja: [B] GFSK, DQPSK, 8DPSK, [W] DSSS, OFDM-CCK, OFDM, Maks. moc wyjściowa: [B] ≤ 10 dBm, [W] ≤ 16 dBm, Zysk anteny: [B] +1,4 dbi, [W] +2,5 dbi

Português

Este é um guia de início rápido para a primeira utilização. Para mais informações, consulte o manual do utilizador disponível no website da sua região (www.satoworldwide.com).

Accessórios (☒) 1 CL4NX Plus 2 Guia rápido 3 Folheto-GWP (Potencial de Aquecimento Global) 4 Documentos 5 Cabo de alimentação* * O formato da ficha de alimentação varia consoante a região.

Identificação das peças (A) 1 Botão 2 (liga/desliga) 3 Painel do operador 4 Saída de etiquetas 5 Conector USB (Tipo A) 6 Tampa superior 7 Eixo de rebobinador de ribbon 8 Eixo suprimento de ribbon 9 Guia do suporte da mídia 10 Suporte de etiquetas 11 Terminal de entrada AC 12 Conector USB (Tipo A) 13 Conector RS-232C 14 Conector IEEE1284 15 Conector EXT 16 Conector USB (Tipo B) 17 Conector LAN 18 Antena WLAN (opcional)

Opcionais (B) 19 Unidade de cortador 20 Unidade de dispensadora **Ligar o cabo de alimentação (C)** 1 Ligue o cabo de alimentação ao terminal de entrada AC 2 Ligue o plug de alimentação a uma tomada.

Colocar a fita (apenas para o modelo de impressão por transferência térmica) (D) 1 Abra a tampa superior 2 Empurre a alavanca de bloqueio da cabeça 3 para a parte traseira. 4 Carregue e insira a fita 4 no eixo de suprimento de ribbon 2 totalmente, tendo em consideração a direção de enrolamento. 5 A partir do eixo de suprimento de ribbon 2, passe a fita por baixo da cabeça de impressão 3. 6 Dê voltas à fita no sentido contrário ao dos ponteiros do relógio no eixo do rebobinador de ribbon 5 e o folha de aderência 8.

(7) Pressione o cabeço de impressão 6 para baixo até que a alavanca de bloqueio da cabeça esteja travada. 8 Feche a tampa superior. **Colocar a mídia (E)** 1 Abra a tampa superior 2 Empurre a alavanca de bloqueio da cabeça 3 para a parte traseira. 3 Puxe o guia do suporte da mídia 4 e o guia de etiquetas 1 para fora do produto. Rode o botão 9 no sentido contrário ao dos ponteiros do relógio para a libertar o guia de etiquetas. 4 Coloque o rolo de mídia firmemente no suporte de etiquetas 3. 5 Empurre o guia do suporte da mídia 4 ligeiramente contra o rolo de mídia. 6 Passe a mídia por baixo do humidificador de etiquetas 10 e do guia do sensor de mídia 11 enquanto empurra a mídia para o interior do produto. Certifique-se de que a extremidade da mídia se prolonga até à parte frontal do produto.

7 Pressione o cabeço de impressão 6 para baixo até que a alavanca de trava do cabeçote esteja travada. 8 Prima o guia de etiquetas 1 ligeiramente contra o lado mais próximo 1 da mídia e rode o botão 9 para travar o guia de etiquetas. 9 Feche a tampa superior. **Ligar o produto (F)** 1 Prima o botão 2 (liga/desliga) 1 do painel do operador até que as luzes LED acendam a azul.

Ativar o produto (Guia de arranque) (G) Ao ligar o produto pela primeira vez após a compra, o ecrã mostra o guia de arranque. O guia de arranque ajuda-o a configurar as definições iniciais do produto, como a hora e a data, bem como a colocar a fita e a mídia. Siga as instruções apresentadas. Pode fechar o guia de arranque e efetuar a configuração mais tarde a partir do menu.

Desligar o produto 1 Certifique-se de que o produto se encontra no modo Offline. 2 Pressione o botão 2 (liga/desliga) 1 durante mais de dois segundos.

Especificações Básicas **Nome do modelo:** CL4NX Plus **Método de impressão:** Impressão térmica direta e Transferência térmica **Densidade do cabeçote (Resolução):** 203, 305, 609 ppp (8, 12, 24 pontos/mm) **Dimensões:** 271 (L) x 457 (P) x 321 (A) mm (exceto as partes salientes) **Peso:** Aprox. 15,1 kg (não incluindo etiquetas e opcionais)

Requisitos de alimentação de energia: (1) Voltagem: AC 100 - 240 V, 3,0 A, ±10 % (2) Frequência: 50 - 60 Hz (3) Consumo de Energia Condições de voltagem de alimentação de energia: AC 230 V, 50 Hz Máximo: 190 VA/180 W (com 30% de impressão) Em standby: 40 VA/20 W **Condições ambientais (Temperatura/Humidade):** (1) Funcionamento: 0 - 40 °C, 30 - 80 % HR (sem condensação) (2) Armazenamento: -20 - 60 °C, 30 - 90 % HR (sem condensação)

Svenska

Detta är en snabbguide för att du ska kunna komma igång och använda produkten. För mer detaljerad information kan du läsa användarhandboken som finns på webbplatsen för din region (www.satoworldwide.com).

Tilbehör (☒) 1 CL4NX Plus 2 Snabbguide 3 Globalt garantiprogramroschry 4 Dokument 5 Strömkabel* * Formen hos kontakten varierar beroende på region.

Märkning av delar (A) 1 Strömknappen 2 Styrspanel 3 Uttag för media 4 USB-kontakt (Typ A) 5 Övre lucka 6 Bandrulle återspolning 7 Bandrulle matning 8 Mediahållarens ledare 9 Mediahållare 10 AC-intag 11 USB-kontakt (Typ A) 12 RS-232C-kontakt 13 IEEE1284-kontakt 14 USB-kontakt (Typ B) 15 LAN-kontakt 16 WLAN-antenn (frivillig)

Alternativ (B) 17 Kilparenhet 18 Etikett dispenser

Ansluta strömkabeln (C) 1 Anslut strömkabel till AC-intaget 2 Sätt i strömkabeln i AC-uttaget.

Lasta färgband (endast termisk överföring modell) (D) 1 Öppna den övre luckan 2 Tryck in bandrullens återspolning 3 hela vägen in. 3 Tryck låsspaken för huvudet 4 mot baksidan. 4 Lasta och sätt i bandet 5 på bandrullens matning 7 hela vägen in medan du uppmärksammar upprullningsriktningen. 5 Från bandrullens matning 7, led bandet under skrivhuvud 8. 6 Vrid bandet mot mot bandrullens återspolning 9 och fasthållningsark 10. 7 Tryck ner skrivhuvudet 11 tills låsspaken för huvudet låser sig. 8 Stäng den övre luckan.

Lasta media (E) 1 Öppna den övre luckan 2 Tryck låsspaken för huvudet 3 mot baksidan. 3 Dra mediahållarens ledare 4 och pappersledaren 5 bort från produkten. Vrid vredet 6 moturs för att släppa mediastyrguidens spak. 4 Lasta mediarullen ordentligt på mediahållaren 8. 5 Tryck mediahållarens ledare 8 lätt mot mediarullen. 6 Led media under mediadämparen 9 och mediasensorns hållare 10 medan du trycker median mot insidan av produkten. Se till att änden av median sträcker sig ut förbi framsidan av produkten. 7 Tryck ner skrivhuvudet 11 tills låsspaken för huvudet låser sig. 8 Tryck pappersledaren 5 lätt mot den närliggande sidan 11 av media och vrid vredet 6 för att låsa pappersledaren. 9 Stäng det övre luckan.

Sätta på produkten (F) Tryck på 1 (ström)knappen 1 på styrpanelen tills LED-lamporna lyser blått.

Upptast av produkten (upptastguide) (G) När du står på produkten för första gången efter inköpet visas upptastguiden på skärmen. Upptastguiden är till för att hjälpa dig genom de inledande produktinställningarna, t.ex. inställning av tid och datum, och lastning av band och media. Följ de instruktioner som visas. Du kan stänga upptastguiden och utföra konfigurationen senare från meny.

Stänga av produkten 1 Säkerställ att produkten är i offline-läge. 2 Tryck och håll nere 1 (ström)knappen 1 längre än två sekunder.

Generella specifikationer **Modellnamn:** CL4NX Plus **Utskriftsmetod:** Direkt termisk och termisk överföring **Huvuddensitet (Upplösning):** 203, 305, 609 dpi (8, 12, 24 punkter/mm) **Mått:** 271 (B) x 457 (D) x 321 (H) mm (förutom utskjutande delar) **Vikt:** Cirka 15,1 kg (inkluderar inte media och alternativ) **Krav för kraftförsörjning:** (1) Inspänning: AC 100 - 240 V, 3,0 A, ±10 % (2) Frekvens: 50 - 60 Hz (3) Ström/brukning: Inspänning: AC 230 V, 50 Hz Högsta: 190 VA/180 W (vid 30% utskrift) Standby: 40 VA/20 W **Miljövillkor (Temperatur/Luftfuktighet):** (1) Drift: 0 - 40 °C, 30 - 80 % RH (icke ledande) (2) Förvaring: -20 - 60 °C, 30 - 90 % RH (icke ledande)

Teknisk specifikation (B) Blåtand (W) Trådlöst LAN) Frekvensband: [B] 2402 - 2480 MHz, [W] 2412 - 2472 MHz, 5180 - 5320 MHz, 5500 - 5700 MHz, 5519 - 5310 MHz, 5510 - 5670 MHz, Modulering: [B] GFSK, DQPSK, 8DPSK, [W] DSSS, OFDM-CCK, OFDM, Max. utteffekt: [B] ≤ 10 dBm, [W] ≤ 16 dBm, Antennförstärkning: [B] +1,4 dbi, [W] +2,5 dbi

한국어

이것은 처음 사용하기를 위한 퀵 스타트 가이드입니다. 자세한 것은 거주 지역의 웹사이트(www.satoworldwide.com)에 게재된 사용설명서를 참조하시기 바랍니다.

부속품 (☒) 1 CL4NX Plus 2 퀵 가이드 3 글로벌 보증서 4 서류 5 전원 코드 * 전원 플러그 모양은 지역에 따라 다릅니다.

각부 명칭 (A) 1 1 (전원) 버튼 2 조작 패널 3 용지 배출구 4 USB 커넥터 (타입 A) 5 탑 커버 6 리본 롤러 스프링 7 리본 공급 스프링 8 용지 출다 가이드 9 용지 출다 10 AC 전원 입력 단자 11 USB 커넥터 (타입 A) 12 RS-232C 커넥터 13 IEEE1284 커넥터 14 EXT 커넥터 15 USB 커넥터 (타입 B) 16 LAN 커넥터 17 무선 랜 안테나 (옵션)

음선 (B) 18 커터 유닛 19 디스택서 유닛 **전원 코드 연결 (C)** 1 전원 코드를 AC 전원 입력 단자 10에 연결합니다. 2 전원 플러그를 AC 콘센트에 꽂습니다.

리본 세팅 (열전사 모델 전용) (D) 1 커버가 열리지 않도록 탑 커버 5를 완전히 엽니다. 2 리본 뒤집기 스프링 6을 완전히 누릅니다. 3 헤드 잠금 레버 7을 뒤쪽으로 누릅니다. 4 리본 롤러 레버 8을 뒤쪽으로 누릅니다. 5 리본 공급 스프링 7에서 리본을 프린트 헤드 9 아래로 통과시킵니다. 6 리본 뒤집기 스프링 6과 그림 시트 10에 리본을 왼쪽으로 갑니다. 7 헤드 잠금 레버가 고정될 때까지 프린트 헤드 9를 아래로 누릅니다. 8 용지 가이드 11를 왼쪽 양쪽 10으로 살짝 누르면서 손잡이 11를 돌려서 용지 가이드를 고정합니다. 9 탑 커버를 닫습니다.

용지 세팅 (E) 1 커버가 열리지 않도록 탑 커버 5를 완전히 엽니다. 2 헤드 잠금 레버 7을 뒤쪽으로 누릅니다. 3 용지 출다 가이드 9와 용지 가이드 11를 제품에서 제거합니다. 손잡이 11를 왼쪽으로 돌려서 용지 가이드를 해제합니다. 4 용지 출다 9에 용지를 확실하게 세팅합니다. 5 용지 출다 가이드 9를 살짝 누릅니다. 6 용지를 제품 안쪽으로 누르면서 용지 덮개 10와 용지 센서 가이드 10아래로 용지를 통과시킵니다. 용지 끝부분이 제품 앞쪽으로 튀어나오도록 합니다. 7 헤드 잠금 레버가 고정될 때까지 프린트 헤드 9를 아래로 누릅니다. 8 용지 가이드 11를 왼쪽 양쪽 10으로 살짝 누르면서 손잡이 11를 돌려서 용지 가이드를 고정합니다. 9 탑 커버를 닫습니다.

제품 전원 투입 (F) LED가 청색으로 점등할 때까지 조작 패널의 1 (전원) 버튼 1을 누릅니다. **제품 시동 (시작 가이드) (G)** 구매하신 제품 전원을 처음 켜면 디스플레이에 시작 가이드가 표시됩니다. 시작 가이드는 날짜와 시간 설정이나 리본, 용지의 세팅 등 제품의 초기 설정을 안내합니다. 표시되는 지시에 따르시기 바랍니다. 시작 가이드를 닫고 나중에 메뉴에서 구성 작업을 할 수 있습니다.

Noise(EMC)standards / EMC-Normen, Geräuschnormen / Estándares de ruido (EMC) / Normes relatives aux interférences (EMC) / Standard acustici (EMC) / Storingsnormen (EMC) / Normy dotyczące hałasu (EMC) / Padrões de emissão de ruído (EMC) / Störningar (EMC) standarder / 노이즈 (EMC) 표준 FCC PART15B, ICES-003, EN55024, EN55032

Safety standards / Sicherheitsstandards / Estándares de seguridad / Normes de sécurité / Standard di sicurezza / Veiligheidsnormen / Standartyd bezpieczeństwa / Padrões de segurança / Säkerhetsstandarder / 안전표준 CE IEC 60950-1, UL 60950-1, CSA C22.2, EN 60950-1

Wireless regulations / Wireless-verordning / Regulaciones inalámbricas / Règlements sans fil / Regolazione senza fili / Regels voor draadloze netwerken / Przepisy dotyczące sieci bezprzewodowych / Normas sem fio / Trádlós-bestämmelse / 무선 규제 FCC PART15C/E, IC, RE

Lärm-Emmissionswert < 70 dB(A) **RoHS Directive** This product is in conformity with RoHS Directive 2011/65/EU on the Restriction of the Use of Certain Hazardous Substances in Electrical and Electronic Equipment. This product is also designed for IT power distribution system with phase-to-phase voltage 230 V.