



# ZX1000i Series THERMAL LABEL PRINTER USER MANUAL



USER MANUAL

# CONTENTS

|          |  |            |
|----------|--|------------|
| <b>1</b> | <b>Barcode Printer</b>                                     | <b>001</b> |
| 1.1      | Box Content  | 001        |
| 1.2      | Getting to Know Your Printer                               | 002        |
| <b>2</b> | <b>Printer Setup</b>                                       | <b>004</b> |
| 2.1      | Loading the label roll                                     | 004        |
| 2.2      | Loading & Removing the Ribbon                              | 008        |
| 2.3      | Connecting the Printer to the Host Computer                | 010        |
| 2.4      | Installing Printer Driver and GoLabel with Super Wizard CD | 011        |
| <b>3</b> | <b>Printer Setting and Control</b>                         | <b>016</b> |
| 3.1      | Operation Panel  | 016        |
| 3.2      | LCD Interface Introduction                                 | 017        |
| 3.3      | LCD Interface Function                                     | 022        |
| 3.4      | Label Calibration and Self-Test                            | 027        |
| 3.5      | Error Alerts   | 029        |
| 3.6      | USB Host   | 031        |
| <b>4</b> | <b>NetSetting for Ethernet</b>                             | <b>033</b> |
| 4.1      | Installing the NetSetting Software                         | 033        |
| 4.2      | The Interface of NetSetting                                | 034        |
| <b>5</b> | <b>Accessories</b>   | <b>041</b> |
| 5.1      | Preparation Steps  | 041        |
| 5.2      | Installing the Cutter                                      | 042        |
| <b>6</b> | <b>Maintenance and Adjustment</b>                          | <b>045</b> |
| 6.1      | Installing / removing the print head module                | 045        |
| 6.2      | Adjusting the print line                                   | 046        |
| 6.3      | Adjusting ribbon tension                                   | 047        |
| 6.4      | Cleaning the thermal print head                            | 048        |
| 6.5      | Adjusting the balance and print head tension               | 049        |
| 6.6      | Ribbon shield settings                                     | 050        |
| 6.7      | Cutter settings  | 051        |
| 6.8      | Troubleshooting  | 052        |

## Appendix

# USER MANUAL

## FCC COMPLIANCE STATEMENT FOR AMERICAN USERS

This equipment has been tested and found to comply with the limits for a CLASS A digital device, pursuant to Part 15 of the FCC Rules. These limits are designed to provide reasonable protection against harmful interference when the equipment is operated in a commercial environment. This equipment generates, uses, and can radiate radio frequency energy and, if not installed and used in accordance with the instructions, may cause harmful interference to radio communications. Operation of this equipment in a residential area is likely to cause harmful interference in which case the user will be required to correct the interference at own expense.

## TO WHICH THIS DECLARATION RELATES IS IN CONFORMITY WITH THE FOLLOWING STANDARDS

European Standard EN55032:2012/AC:2013 , EN55024:2010. CFR 47, Part 15B

### **WARNING**

This is a Class A product. In a domestic environment this product may cause radio interference in which case the user may be required to take adequate measures.

# SAFETY INSTRUCTIONS

Please read the following instructions carefully.

1. Keep the equipment away from humidity.
2. Before you connect the equipment to the power outlet, please check the voltage of the power source.
3. Make sure the printer is off before plugging the power connector into the power jack.
4. It is recommended that you connect the printer to a surge protector to prevent possible transient overvoltage damage.
5. Be careful not to get liquid on the equipment to avoid electrical shock.
6. For safety and warranty reasons, ONLY qualified service personnel should open the equipment.
7. Do not repair or adjust energized equipment under any circumstances.

## Caution

---

- \* Danger of explosion if battery is incorrectly replaced. Replace only with the equivalent type recommended by the manufacturer.
- \*\* Dispose of used batteries according to the manufacturer's instructions.
- \*\*\* Only use with designated power supply adapter model.
- \*\*\*\* Changes or modifications not expressly approved by the party responsible for compliance could void the user's authority to operate the equipment.

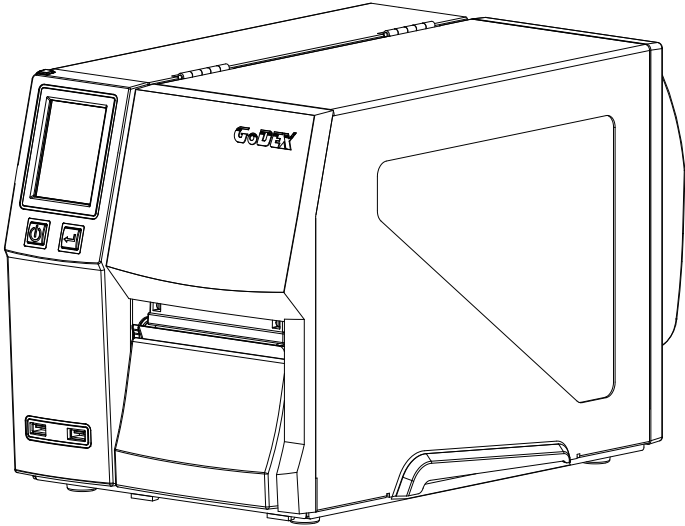


# 1 Barcode Printer

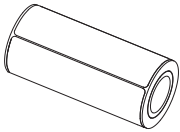
## 1.1 Box Content

Please check that all of the following items are included with your printer.

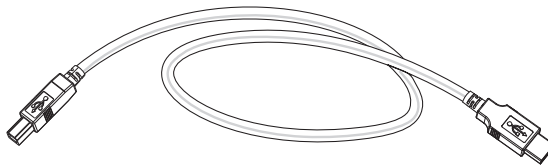
- ZX1200i / ZX1300i / ZX1600i Barcode Printer



- Label Stock



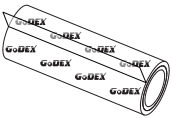
- USB Cable



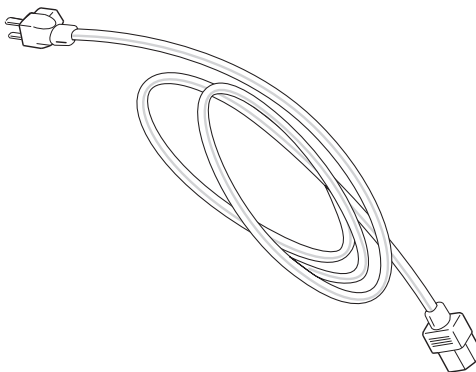
- Quick Guide



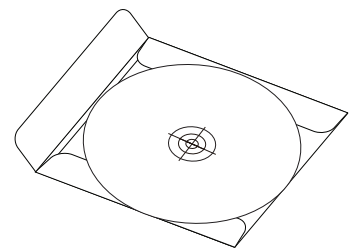
- Ribbon



- Power Adapter  
Power Cord



- CD  
Including GoLabel software  
and user's manual.

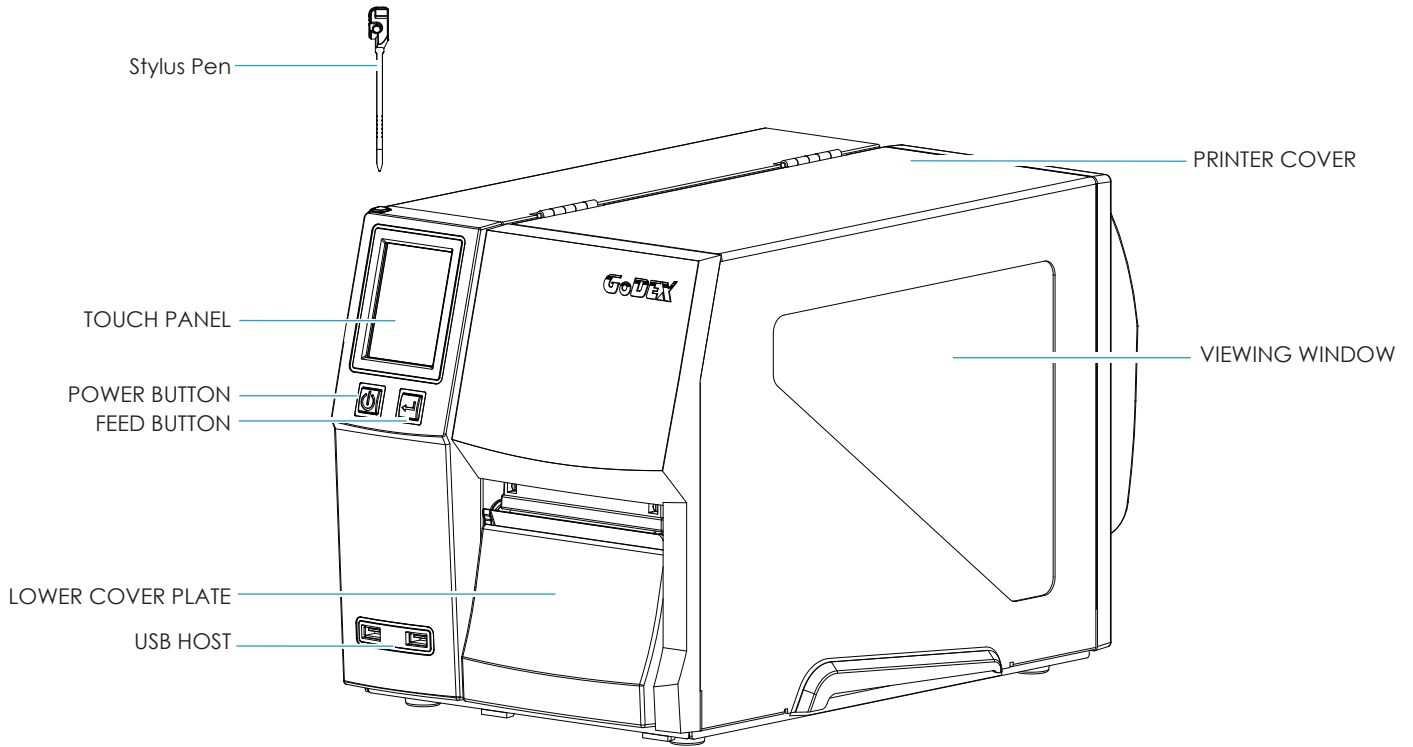


# 1 Barcode Printer

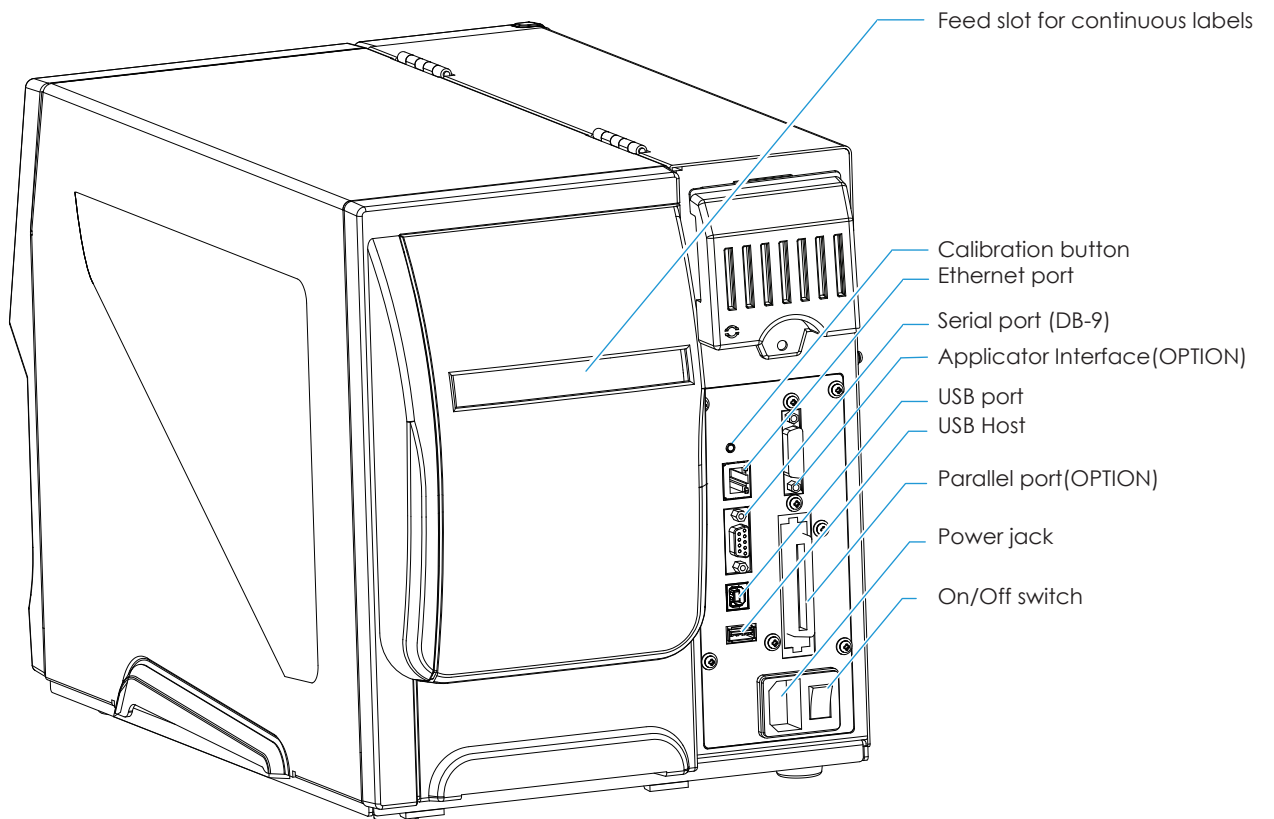
## 1.2 Getting to Know Your Printer

### Device Overview

- Front View

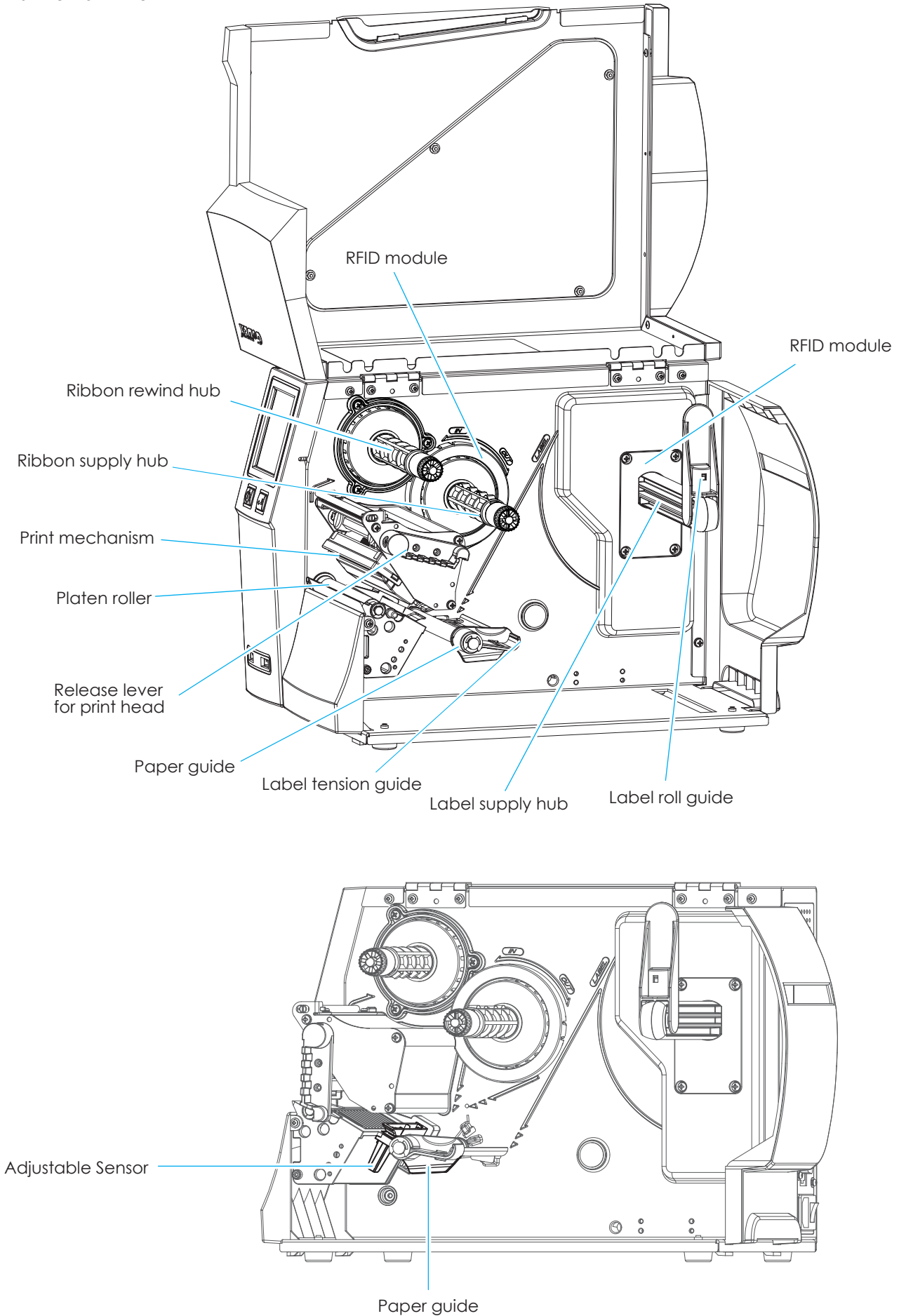


- Rear View



# 1 Barcode Printer

## The Internal View of Printer



## 2 Printer Setup

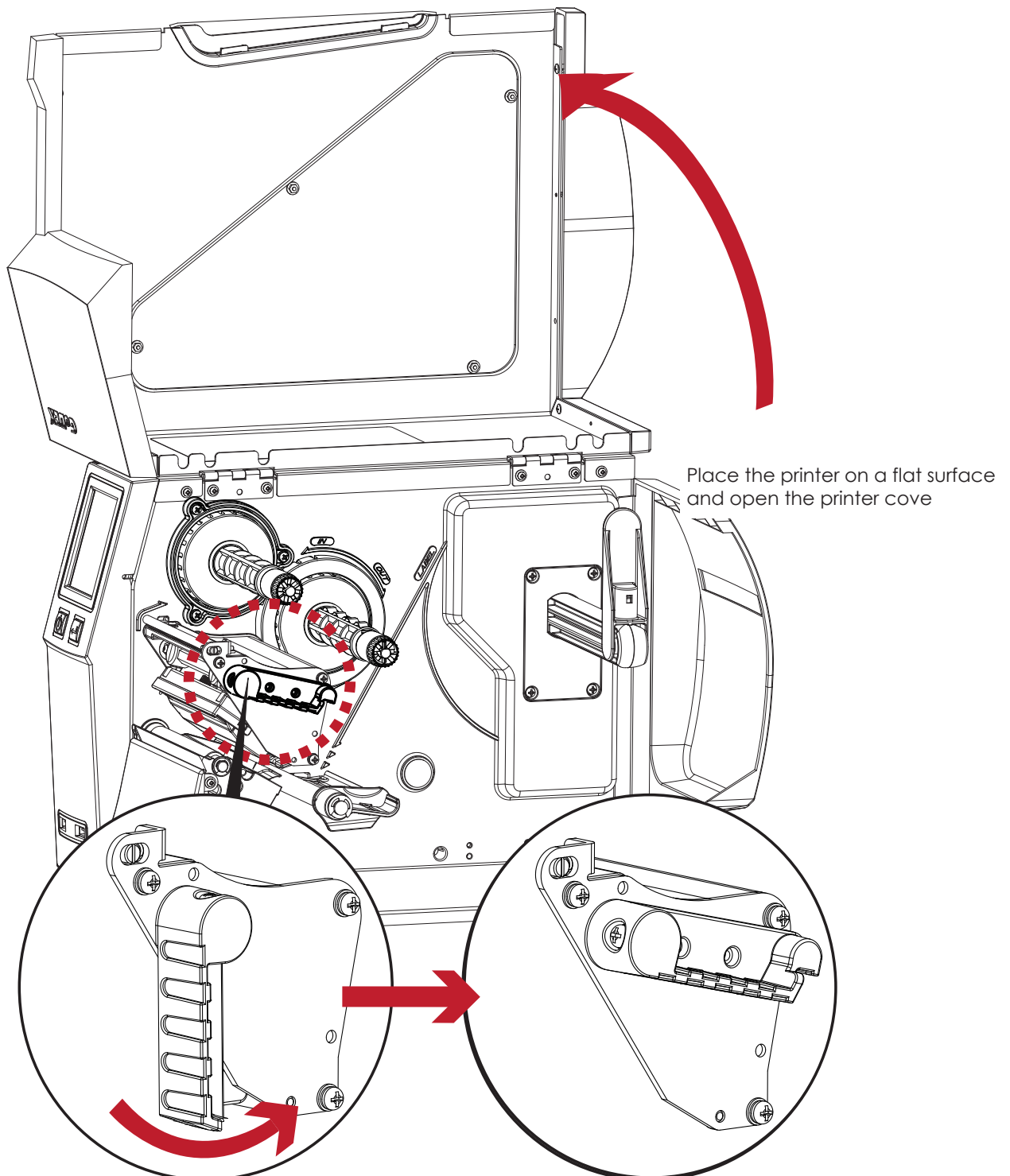
### 2.1 Loading the label roll

This printer supports the following printing methods:

Thermal transfer printing (TTP) : Requires a ribbon for transferring a printed image to a medium.

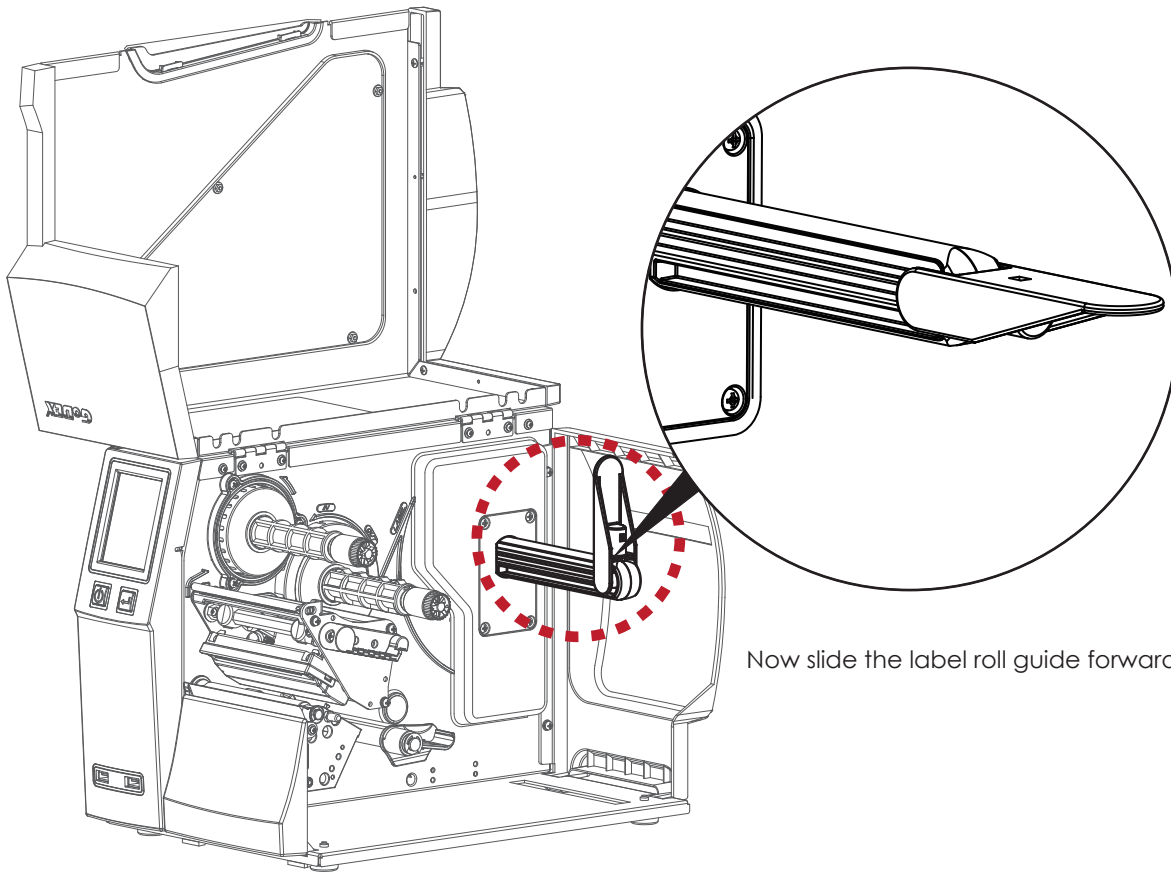
Direct thermal printing (DTP) : Does not require a ribbon, only thermal paper.

Please check which printing method you are using and alter the settings accordingly in the printer driver, printer menu, and/or software.

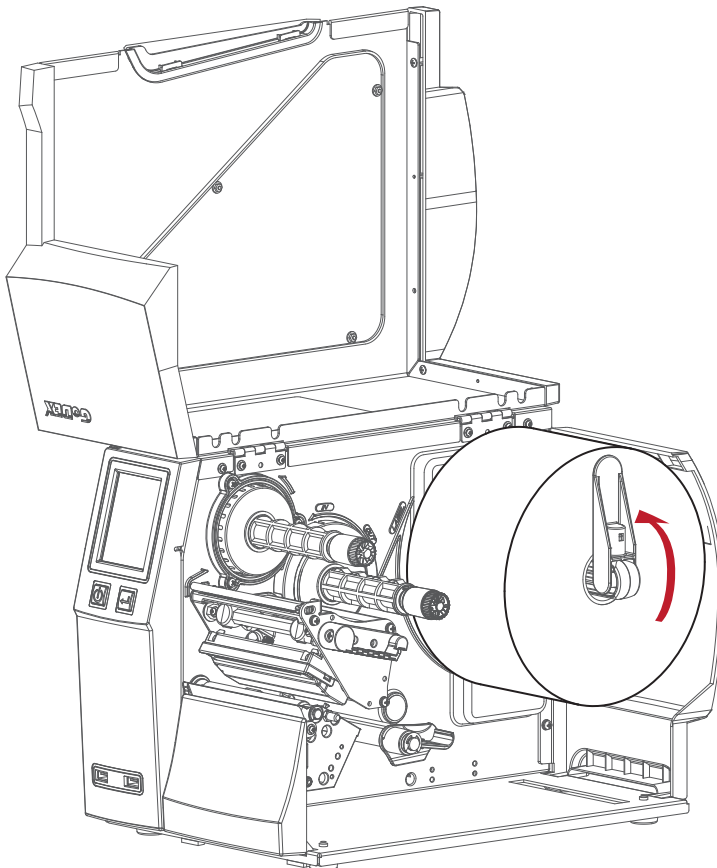


Turn it anticlockwise to a top right position as shown in the illustration

## 2 Printer Setup



Now slide the label roll guide forward and fold it down



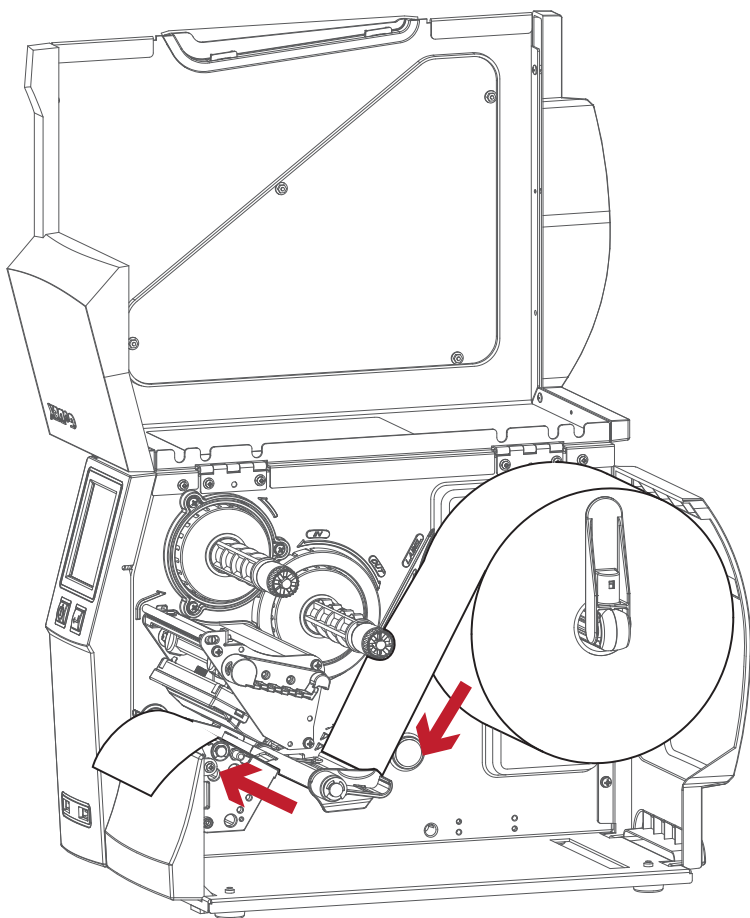
Place the label roll on the label supply hub , pushing it right up to the printer housing.

(Do not apply too much pressure to avoid damaging the label stock.)

### Note

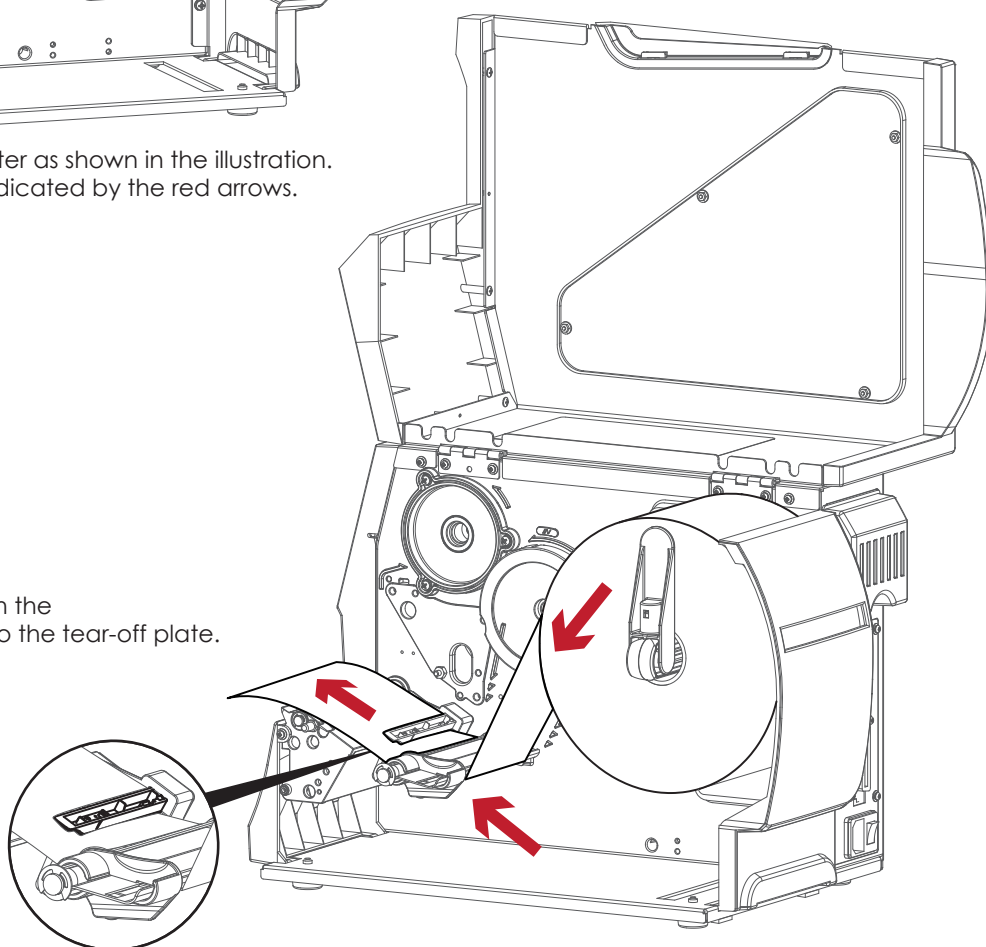
\* When moving the label roll guide, hold it only by the end that is attached to the bracket, not by its top.

## 2 Printer Setup



Load the label roll into the printer as shown in the illustration. Pass it through the printer as indicated by the red arrows.

Pass the label stock through the Adjustable Sensor and up to the tear-off plate.

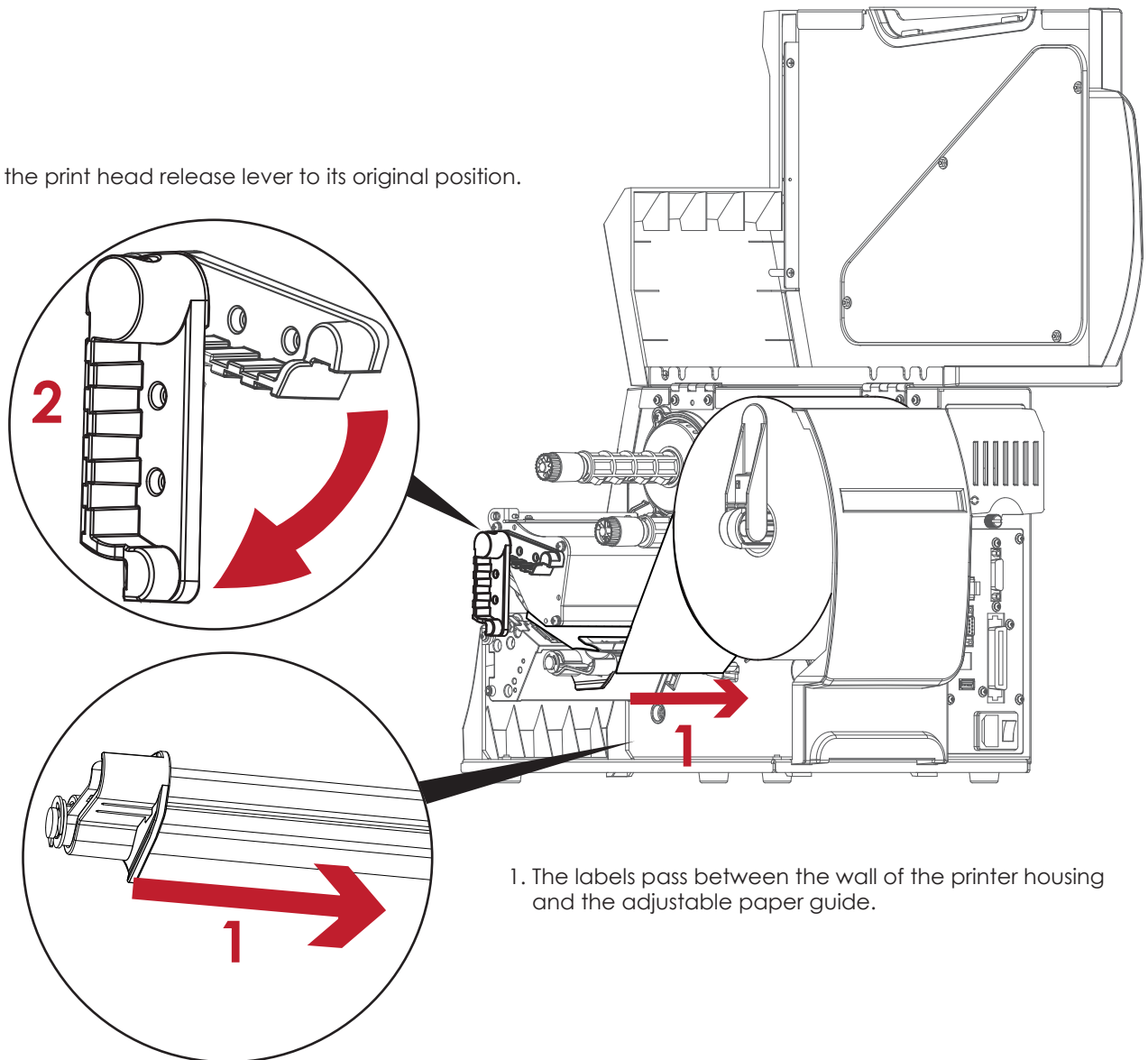


### Note

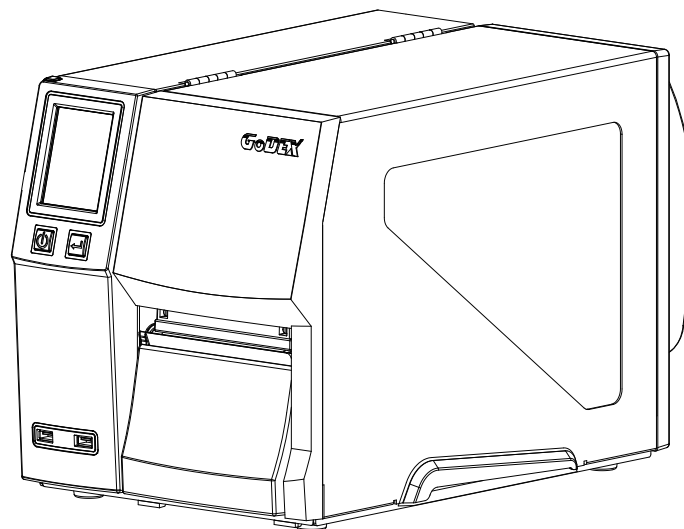
\* Remember to set the movable sensor to gap, black mark, or tag hole by changing the position of the sensor with the adjustment wheel.

## 2 Printer Setup

2. Return the print head release lever to its original position.



1. The labels pass between the wall of the printer housing and the adjustable paper guide.



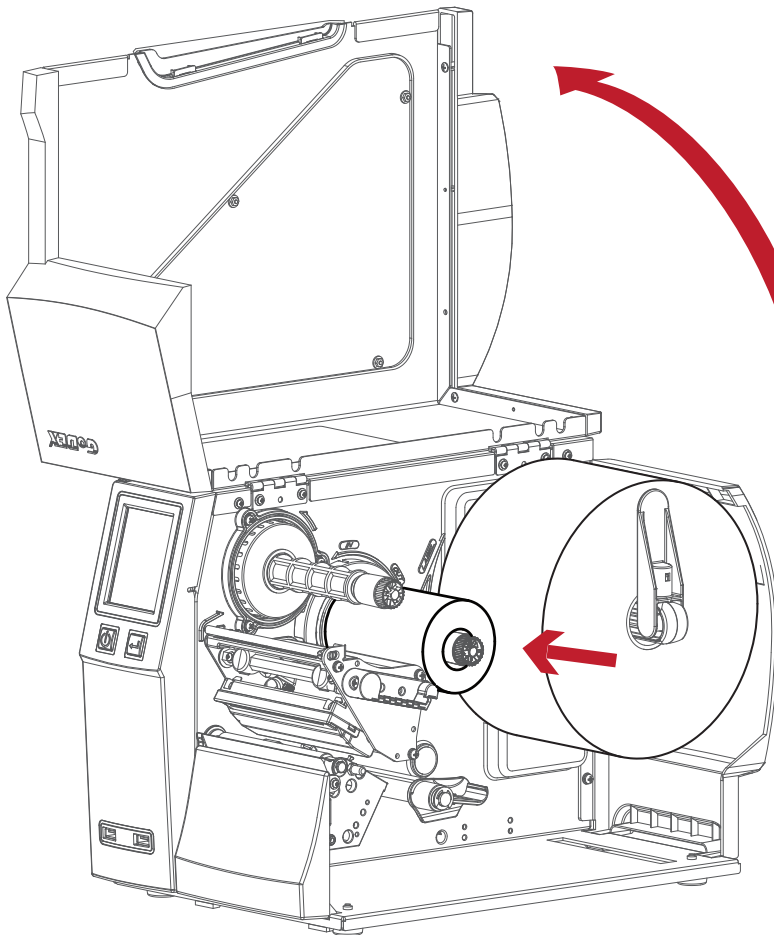
Then close the printer cover.



## 2 Printer Setup

### 2.2 Loading & Removing the Ribbon

#### Loading Ribbon

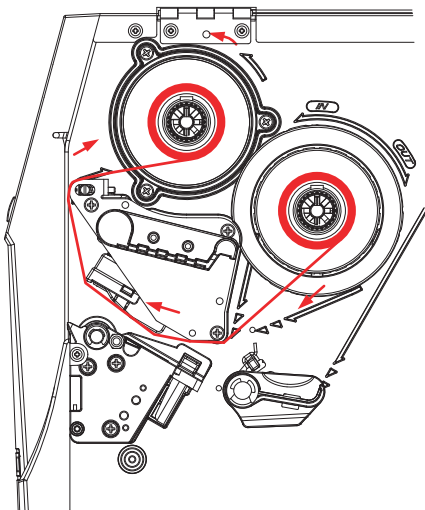


Place the printer on a flat surface and open the printer cover

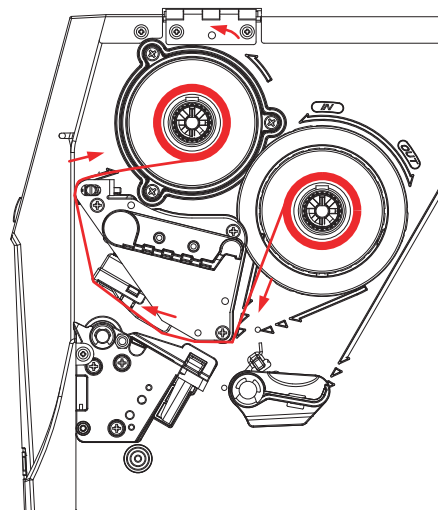
Place a new ribbon on the ribbon supply hub.

The two illustrations as below show you how to install the ribbon depending on the ribbon type (ink side in or out).

Ink side out



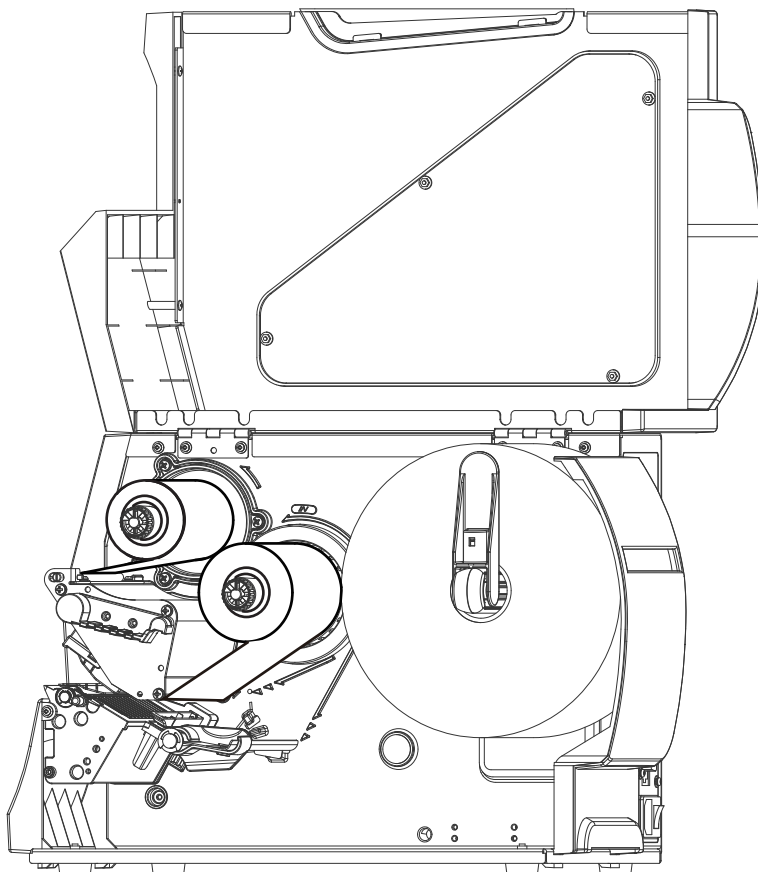
Ink side in





## 2 Printer Setup

Pass the ribbon under the print head and back up on the other side.  
Attach it to the empty ribbon core.



### Note

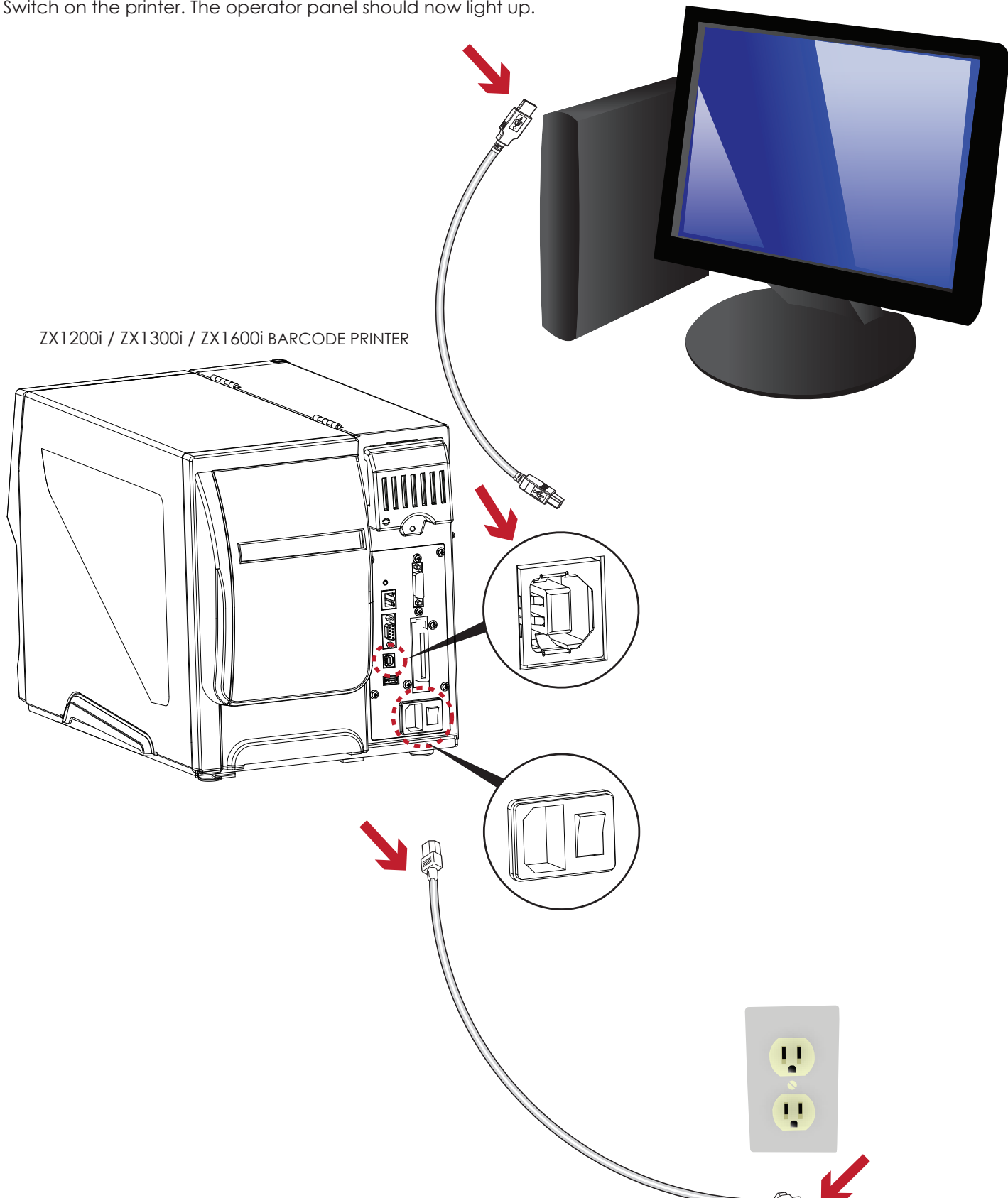
---

\* Do not pass the ribbon under the sensor.

## 2 Printer Setup

### 2.3 Connecting the Printer to the Host Computer

1. Please make sure that the printer is switched off.
2. Connect the power cord to the AC adapter and connect the adapter to the printer.
3. Connect the USB cable to the printer and host computer.
4. Switch on the printer. The operator panel should now light up.

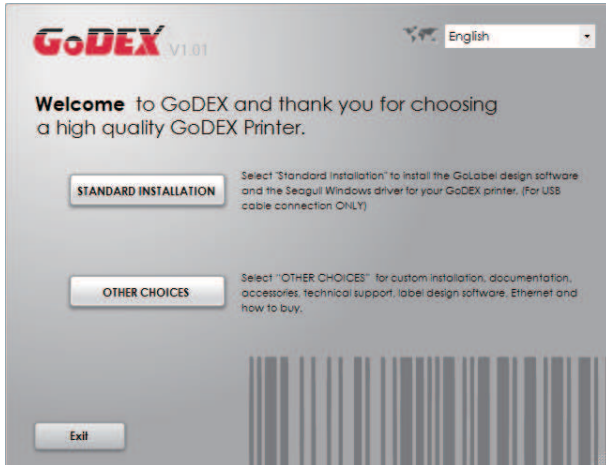


## 2 Printer Setup

### 2.4 Installing Printer Driver and GoLabel with Super Wizard CD

1. Insert the Super Wizard CD in the CD/DVD drive of the host computer and the program should pop up automatically.

You will see the Welcome screen first. On the Welcome screen, choose "Standard Installation".



2. The wizard will then ask you to make sure your USB and power cables are connected and that the power is turned on. Make sure that is done and then click "Next".

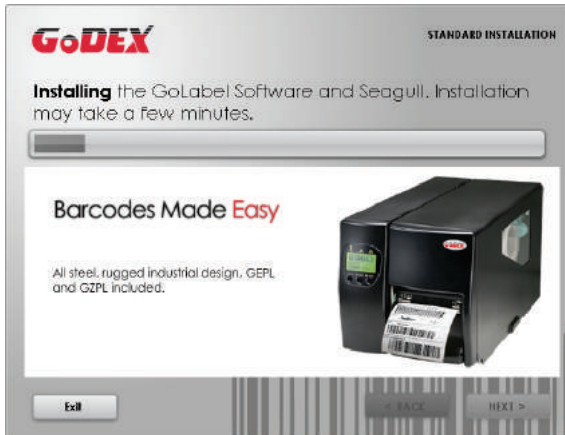


3. The next screen you will see to choose "Download the latest version from GoDEX server" or "Install from this product disc."



## 2 Printer Setup

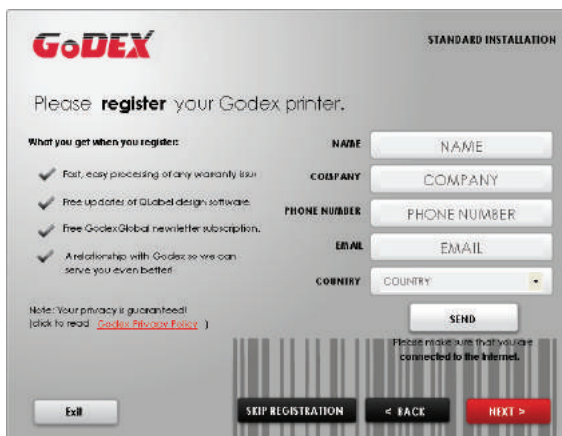
4. As the printer driver and GoLabel are installing, a screen will display a progress bar.



5. Once the installation is complete, you can start to make and print labels with GoLabel or through the printer driver.



6. As the optional steps, you can also print a test label or register your printer during the "Standard Installation" procedure.



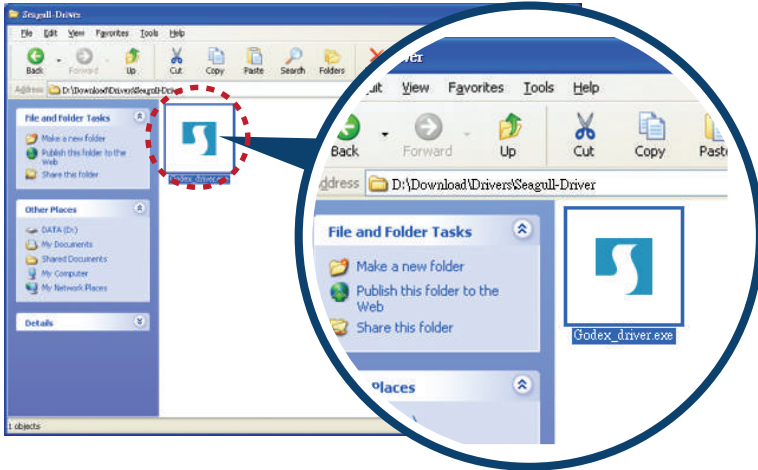
### Note

- \* If you need more resources, tools or reference documents, you can also find them on Super Wizard CD. Just click "Other Choices" on Welcome Screen to access the files.

## 2 Printer Setup

### Installing Printer Driver Directly from CD Folder

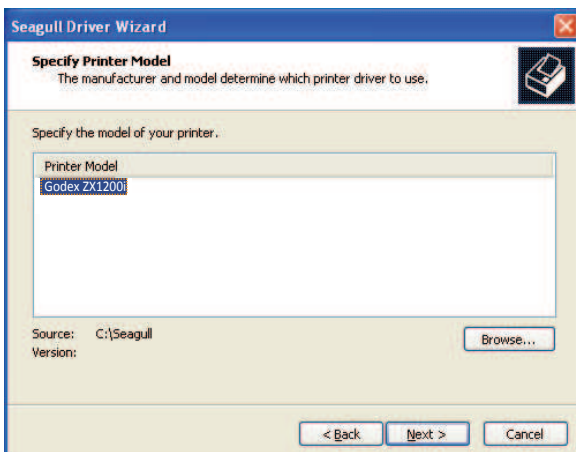
1. Insert the product CD in the CD/DVD drive of the host computer and open the "Seagull Drivers" folder on the CD. Select the icon for the driver file and click it to start the installation.



2. Follow the instructions on the screen. The Driver Wizard guides you through the installation procedure. Select "Install printer drivers".

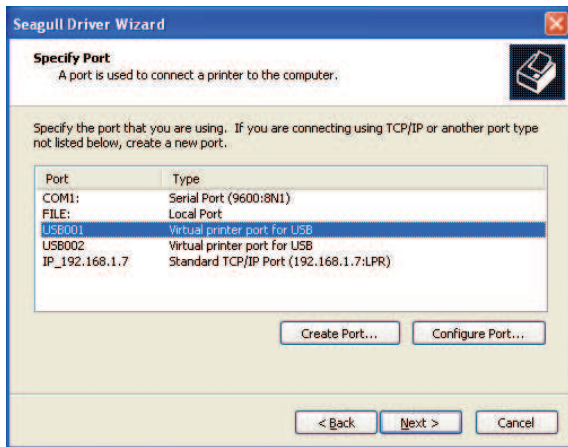


3. Specify your printer model.

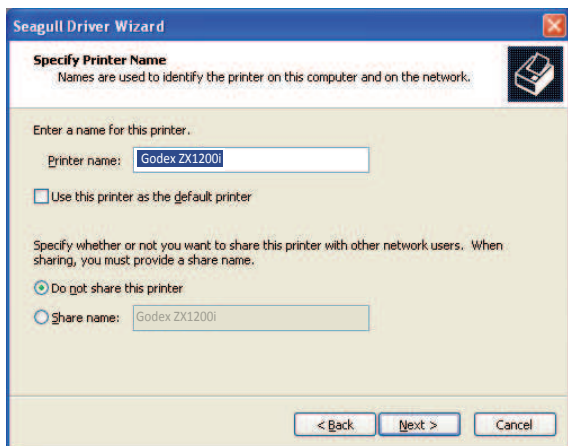


## 2 Printer Setup

- Specify the port used to connect the printer to the host computer.



- Enter a printer name and assign the appropriate rights.

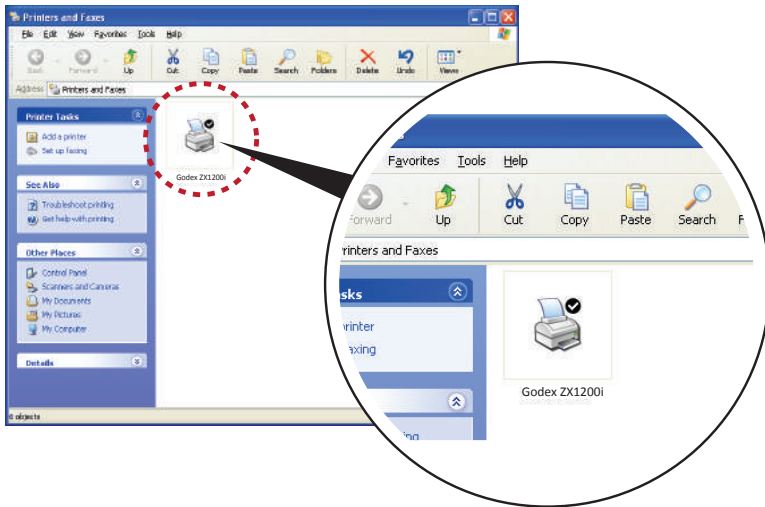


- Once the installation is complete, a summary of the printer settings is displayed. Check whether the printer settings are correct and click "Finish" to start copying the driver files. Wait until copying is complete, then finish the installation.



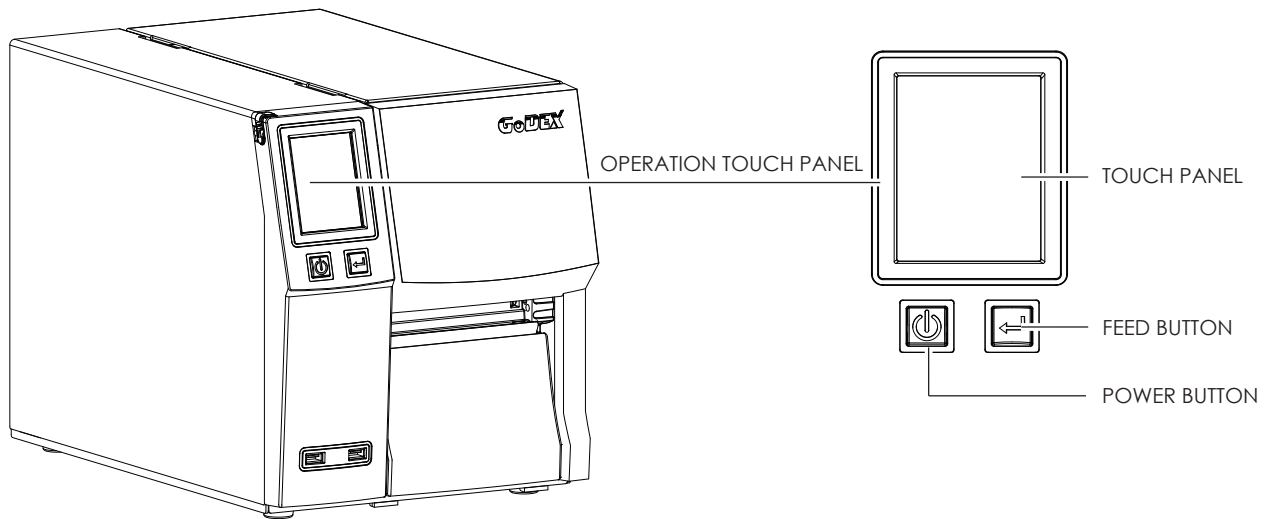
## 2 Printer Setup

7. Once the driver installation is complete, the new printer should appear in the "Printers and Faxes" folder.



## 3 Printer Setting and Control

### 3.1 Operation Panel



#### **POWER Button**

Press the POWER button to turn on the printer, and the START UP SCREEN appears. The printer is on "ready to print" status, the LCD screen should display the message "READY" on the screen.

When printer is turned on, hold and press down the POWER button for 3 second will turn the printer off.

#### **FEED Button**

Turn on the printer and press the FEED button.

When you press the FEED button, the printer will advance media until the FEED button is released.

If you are using continuous labels, pressing the FEED button will advance a length of media until the button is released.

If you are using media with gaps, pressing the FEED button once will advance only one label.

If the label does not stop at the correct position, you need to run the auto-detection function for your media,

please see Section 3.4 Label Calibration and Self-Test.

#### **PAUSE PRINTING\_FEED Button**

Pressing the FEED button while the printer is in standby mode will set the printer to pause mode. In this mode, the printer can receive commands, but it will only process them when it is reset to standby mode. Pressing the FEED button again will reset the printer to standby mode.

Pressing the FEED button during printing will interrupt printing. When the FEED button is pressed again, the printer resumes printing. Example: While a 10-label print job is running, you press the FEED button to pause the printer. Two of the labels have been printed. To resume printing and print the remaining eight labels, you will need to press the FEED button again.

#### **CANCEL PRINTING\_FEED Button**

Press and hold the FEED button for 3 seconds during printing cancels a print job. The current print job is cancelled.

Example: While a 10-label print job is running, you press the FEED button. Two of the labels have been printed.

The print job is cancelled and the remaining eight labels will not be printed.

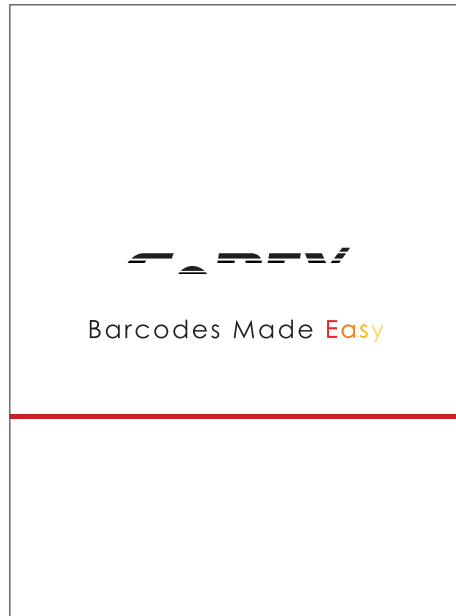


# 3 Printer Setting and Control

## 3.2 LCD Interface Introduction

### Getting Started

Press the POWER button to turn on the printer, and the START UP SCREEN appears.



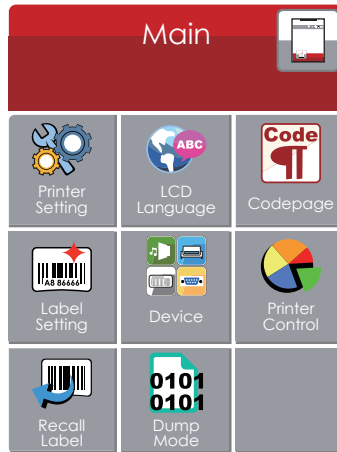
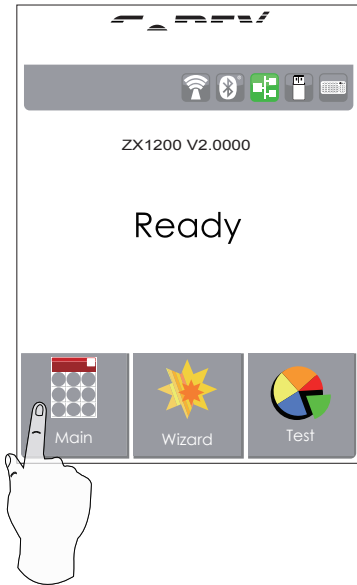
If the printer is on "ready to print" status, the LCD screen should display the message "Ready" on the screen. Use touch gestures to get around the Home screen and other screen for setting.



Tap the screen with your finger or the stylus pen when you want to select on screen items such as settings icons.

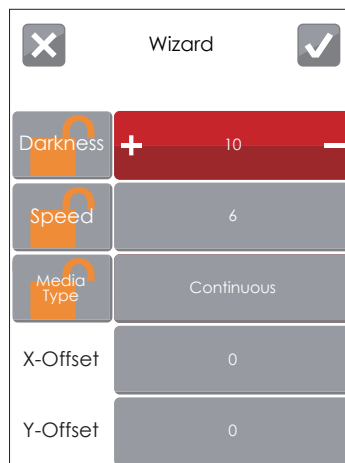
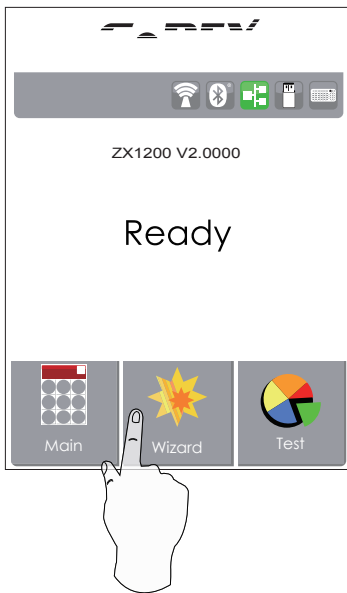
### 3 Printer Setting and Control

On the Ready Page, three function mode for setting. You can make various setting functions in FUNCTIONAL MODE.



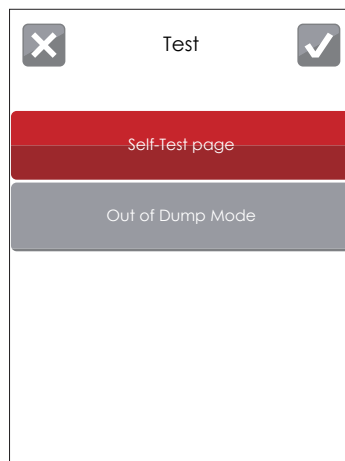
Tap "Main" --

Screen could show more detail of "Main"



Tap "Wizard" --

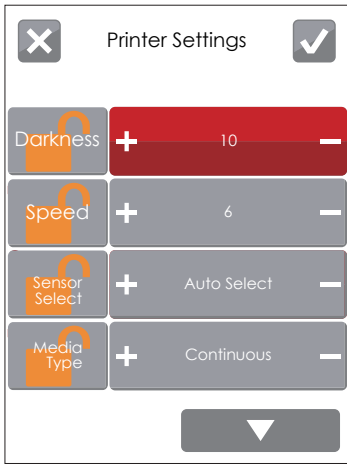
Set up printer of "Darkness" "Speed" ...





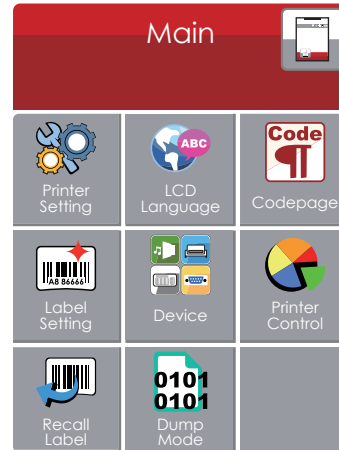
Tap "Test" --

self-Test page and Out of Dump Mode for setting.

### 3 Printer Setting and Control



finish setting tap   
 back to main page if  
 do not save, tap   
 system would not save  
 any changes.

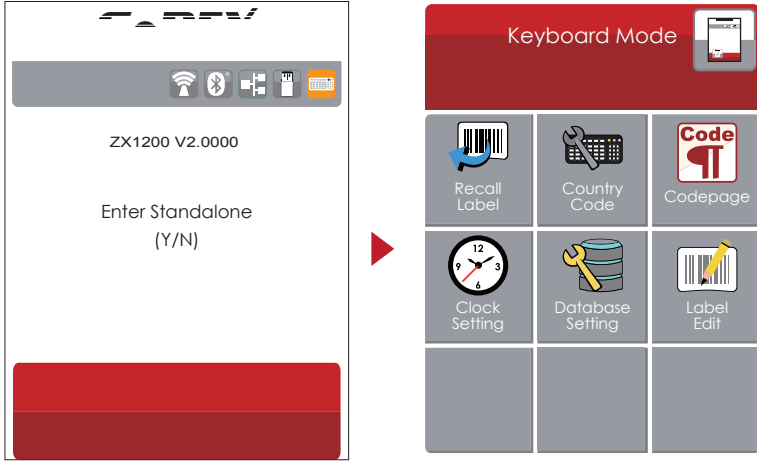


If printer functions locked, printer can not receive any commands from GoLabel or any devices.

# 3 Printer Setting and Control


## Keyboard Mode

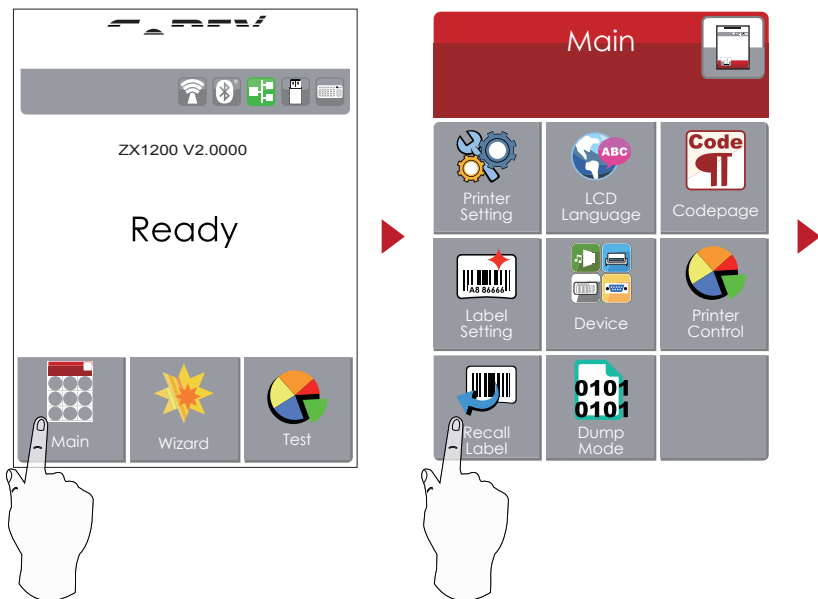
When plug-in an USB keyboard to the printer, LCD touch panel will display "Enter Standalone", press the "Y" key on keyboard to entering to the dialog for "Keyboard Mode" operation.



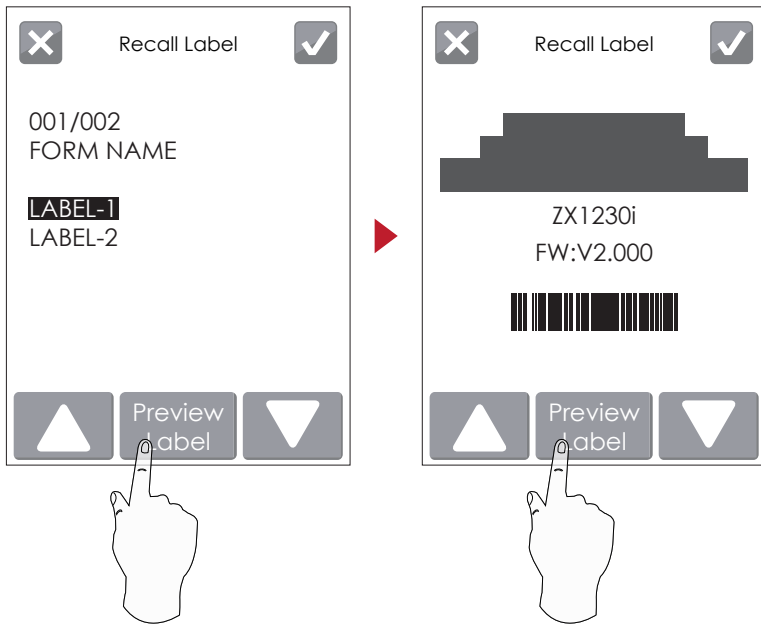
## Preview Label function

User can choose any labels which have done in the printer and preview it. (See Instructions)




From the Home screen, tap  to Main Page.  
From the Main Page tap Recall Label to Recall Label Page.



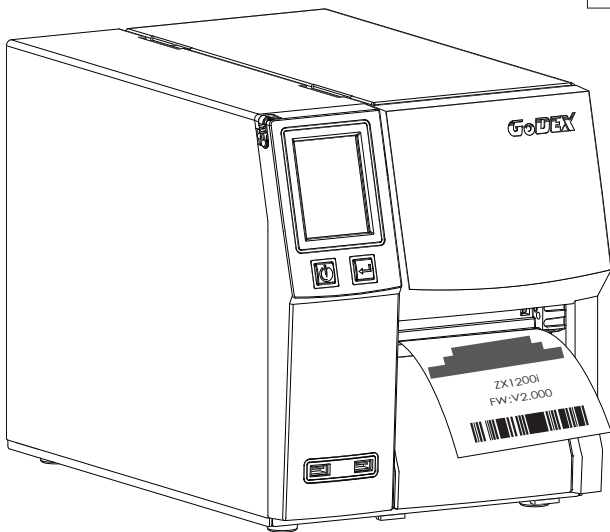
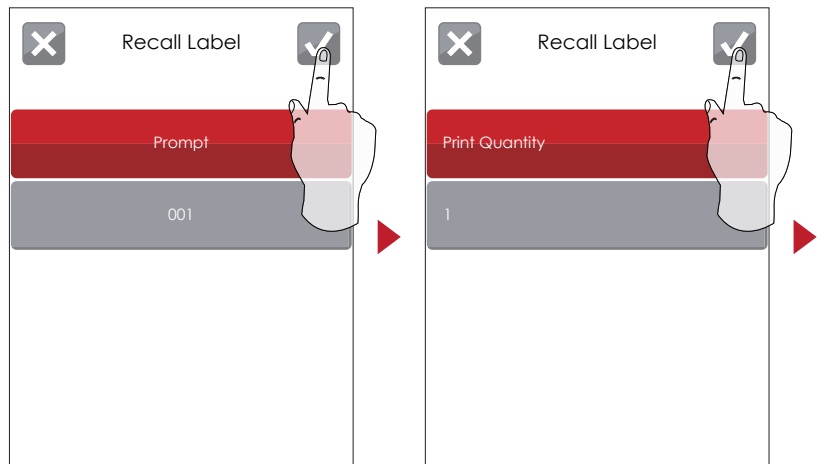
### 3 Printer Setting and Control



From the Recall Label Page the touch panel shown on all labels. The Data processing time will be extend as long as the labels increase.

-  Tap up to choose labels.
-  Tap down to choose labels.
-  Tap Preview Label can see printing label.

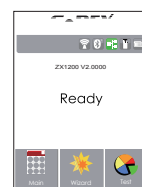
Keeping tap  to next page 



Print out selected label.

#### Note

\* Using recall label function send commands, printer display must be back to Ready Page.



# 3 Printer Setting and Control

## 3.3 LCD Interface Function

### Main Page



Setting items for printer, ex. Printing speed, darkness. Also includes a Printing Wizard for your ease of printing.

---



More than 10 languages for printer setting

---



It consists of a table of values that describes the character set for a particular language

---



Setting items for printing label, ex. Rotation, Printing position offset.

---



Option modules and connection port settings.

---



Self-Diagnose functions for printer, ex. TPH testing, self-test page printing.

---



Recall Label

---

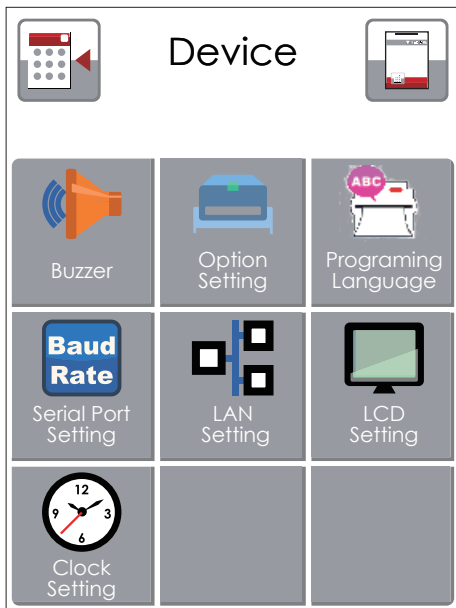


Dump Mode

---

# 3 Printer Setting and Control

## Device Page



Setting off or on for buzzer

---



Setting items for options, ex. Cutter, Label Dispenser, Applicator

---



Setting Programming Language. Auto/EZPL/GEPL/GZPL/GDPL

---



Setting items for Serial Port, ex. Baud Rate, Parity, Data Bits, Stop Bits.

---



Setting items for LAN, ex. Port NO., DHCP, Dynamic IP, Default Gateway, Subnet Mask.

---



Setting items for LCD, ex. Brightness, Contrast, Power Saving, Password

---



Setting items for Clock, ex. Year, Month, Day, Hour, Minute

---

# 3 Printer Setting and Control

## Setting Items in Setting Mode



|                 |                   |                  |             |
|-----------------|-------------------|------------------|-------------|
|                 | Darkness          | 0-19             |             |
|                 | Speed             | 2-5              |             |
| Printer Setting | Sensor Select     | Media Detection  | Auto Select |
|                 |                   |                  | See-Through |
|                 |                   |                  | Reflective  |
|                 | Media Type        | Label with Gaps  |             |
|                 |                   | Label with Marks |             |
|                 |                   | Continuous       |             |
|                 | Printing Mode     | Direct Thermal   |             |
|                 |                   | Thermat Transfer |             |
|                 | Tear-off Position | 0-40             |             |
|                 | Top of Form       | Apply            |             |
|                 |                   | Cancel           |             |



|              |          |
|--------------|----------|
| LCD Language | English  |
|              | Deutsch  |
|              | 繁體中文     |
|              | 簡體中文     |
|              | Français |
|              | Español  |
|              | 日本語      |
|              | Italiano |
|              | Русский  |
|              | Türkçe   |



|          |          |
|----------|----------|
| Codepage | 850      |
|          | 852      |
|          | 437      |
|          | 860      |
|          | 863      |
|          | 865      |
|          | 857      |
|          | 861      |
|          | 862      |
|          | 855      |
|          | 866      |
|          | 737      |
|          | 851      |
|          | 869      |
|          | Win 1252 |
|          | Win 1250 |
|          | Win 1251 |
| Win 1253 |          |
| Win 1254 |          |
| Win 1255 |          |
| Win 1257 |          |



|               |              |
|---------------|--------------|
| Label Setting | Rotation     |
|               | X-offset     |
|               | Y-offset     |
|               | Start Offset |



# 3 Printer Setting and Control



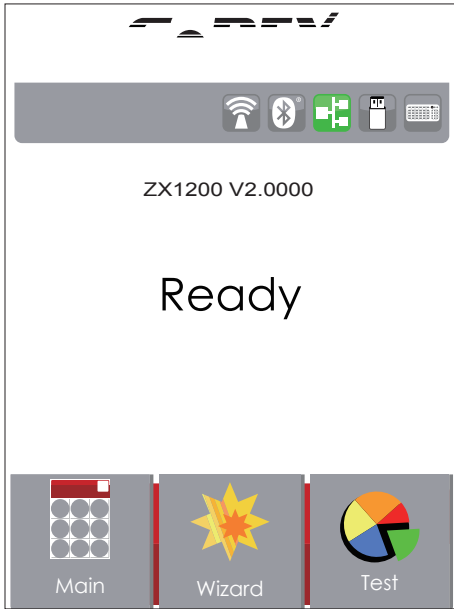
|                 |                     |                  |                          |
|-----------------|---------------------|------------------|--------------------------|
| Device          | Buzzer              | OFF              |                          |
|                 |                     | ON               |                          |
|                 | Optional Setting    |                  | None                     |
|                 |                     |                  | Cutter                   |
|                 |                     |                  | Label Dispenser          |
|                 |                     |                  | Applicator               |
|                 | Programing Language |                  | Auto/EZPL/GEPL/GZPL/GDPL |
|                 | Serial Port Setting | Baud Rate        | 4800 bps                 |
|                 |                     |                  | 9600 bps                 |
|                 |                     |                  | 19200 bps                |
|                 |                     |                  | 38400 bps                |
|                 |                     |                  | 57600 bps                |
|                 |                     |                  | 115200 bps               |
|                 |                     | Parity           | Non                      |
|                 |                     |                  | Odd                      |
|                 |                     |                  | Even                     |
|                 |                     | Data bits        | 7 bits                   |
|                 | 8 bits              |                  |                          |
|                 | Stop bits           | 1 bits           |                          |
|                 |                     | 2 bits           |                          |
| LAN Setting     | DHCP                | On               |                          |
|                 | IP Address          | 0.0.0.0          |                          |
|                 | Subnet Mask         | 255.255.255.0    |                          |
|                 | Gateway             | 192.168.0.254    |                          |
| LCD Setting     | Brightness          | 5                |                          |
|                 | Contrast            | 5                |                          |
|                 | Power Saving        | 15               |                          |
|                 | Password            | OFF              |                          |
| Clock Setting   | Year                |                  |                          |
|                 | Month               |                  |                          |
|                 | day                 |                  |                          |
|                 | Hour                |                  |                          |
|                 | Minute              |                  |                          |
| Printer Control | Test                |                  |                          |
|                 | Sample Pattern      |                  |                          |
|                 | Select Memory       |                  |                          |
|                 | Clear Memory        |                  |                          |
|                 | Calibration         |                  |                          |
|                 | Reset to Default    |                  |                          |
|                 | Darkness            | 2-5 or 7         |                          |
| Speed           | 0-19                |                  |                          |
| Wizard          | Media Type          | Label with Gaps  |                          |
|                 |                     | Label with Marks |                          |
|                 |                     | Continuous       |                          |
|                 | Y-Offset            |                  |                          |
| Bluetooth       | Clear Bind          | Enable           |                          |
|                 |                     | Disable          |                          |
|                 | Make Device Visible | Enable           |                          |
|                 |                     | Disable          |                          |
|                 | SSP                 | Enable           |                          |
|                 | PIN Code            | 0000             |                          |
| Search Devices  |                     |                  |                          |
| Test            | Self-Test page      |                  |                          |
|                 | Out of Dump Mode    |                  |                          |



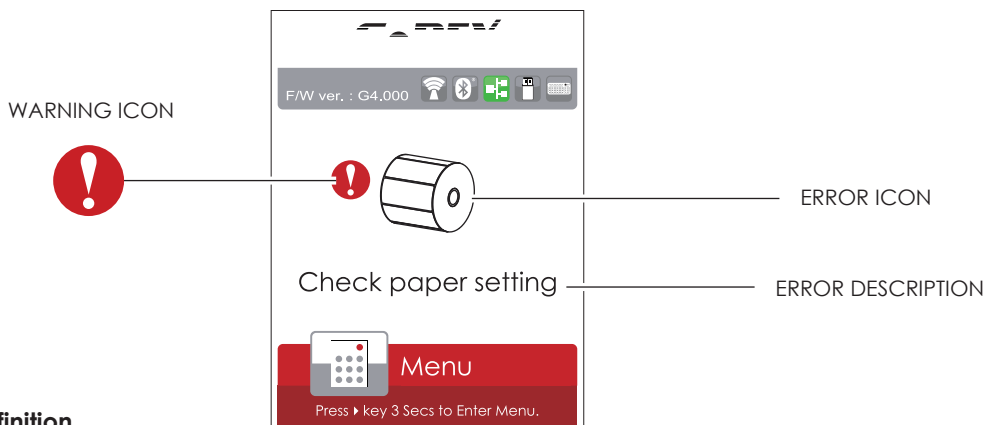
# 3 Printer Setting and Control

## Status of LCD Interface

When printer is on standby status (ready to print), the LCD interface will display "Ready" on screen. You can only print when you see the "Ready" status.



If there is any printers error, the LCD screen will display the error screen to show the type of error. You can fix the error according the notice.



### Icon Definition

|  |                |   |
|--|----------------|---|
|  | To upper level | Appears on the NAVIGATION ICON of Setting Pages. It guides you back to upper level by touching display upper right icon.    |
|  | To main page   | Appears on the NAVIGATION ICON of Setting Value Pages. It guides you back to main page by touching display upper left icon. |
|  | Lock           | On Setting Value pages, touch display icons to lock the value for preventing unexpected change.                             |
|  | Unlock         | Touch display icons again to unlock the value.  |

# 3 Printer Setting and Control

## 3.4 Label Calibration and Self Test

### Label Calibration

The printer can automatically detect and store label height.

That means the host computer does not need to transmit the label height to the printer.

### Self Test

Self-test function lets you check whether the printer is functioning normally.

Here is how you run the label size calibration and self test.

1. Check that the label stock is loaded correctly.
2. Turn off the printer.
3. Turn the printer on again, keeping the FEED button pressed. When the LED starts to flash red, release the FEED button. The printer will now measure the label stock and store the label height.
4. Once the printer has successfully measured the label stock, it will print a self-test label.

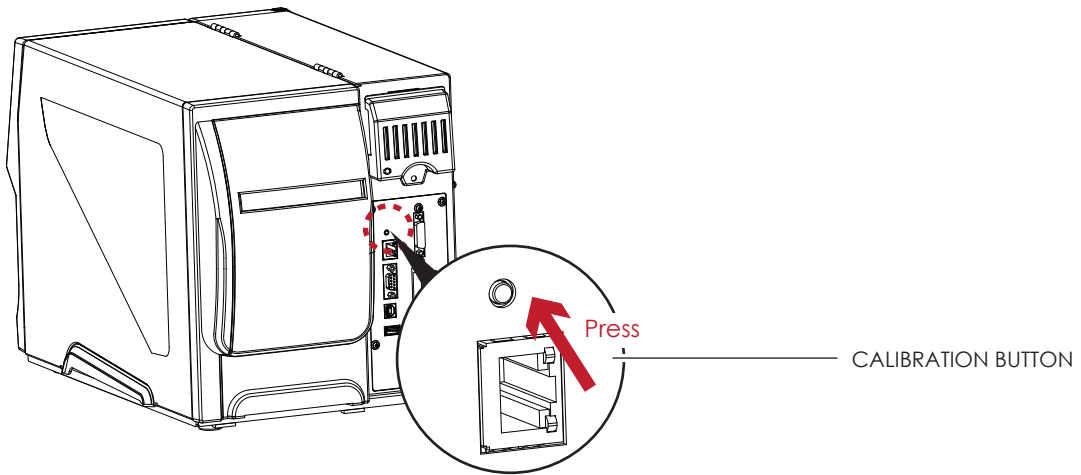
The contents of a self-test printout are listed below.

|   |                                       |
|---|---------------------------------------|
| Model & Version                             | ZX1200i:GX.XXX                        |
| USB ID setting                              | USB S/N:12345678                      |
| Serial port setting                         | Serial port:96,N,8,1                  |
| MAC address of Ethernet port                | MAC Addr:xx-xx-xx-xx-xx-xx            |
| IP protocol setting                         | DHCP Enable                           |
| IP address of Ethernet port                 | IP xxx.xxx.xxx.xxx                    |
| Gateway setting                             | Gateway xxx.xxx.xxx.xxx               |
| Netmask setting                             | Sub-Mask xxx.xxx.xxx.xxx              |
|   | #####                                 |
| Number of DRAM installed                    | 1 DRAM installed                      |
| Image buffer size                           | Image buffer size:1500 KB             |
| Number of forms                             | 0000 FORM(S) IN MEMORY                |
| Number of graphics                          | 0000 GRAPHIC(S) IN MEMORY             |
| Number of fonts                             | 000 FONT(S) IN MEMORY                 |
| Number of Asian fonts                       | 000 ASIAN FONT(S) IN MEMORY           |
| Number of Databases                         | 000 DATABASE(S) IN MEMORY             |
| Number of Scalable fonts                    | 000 TTF(S) IN MEMORY                  |
| Free memory size                            | 4073 KB FREE MEMORY                   |
| Speed, Density, Ref. Point, Print direction | ^S4 ^H8 ^R000 ~R200                   |
| Label width, Form length, Stop position     | ^W102 ^Q100,3 ^E18                    |
| Cutter, Label Dispenser, Mode               | Option:^D0 ^O0 ^AD                    |
| Sensor Setting                              | Reflective AD:1.96 2.84 2.49[0.88_23] |
| Code Page                                   | Code Page:850                         |

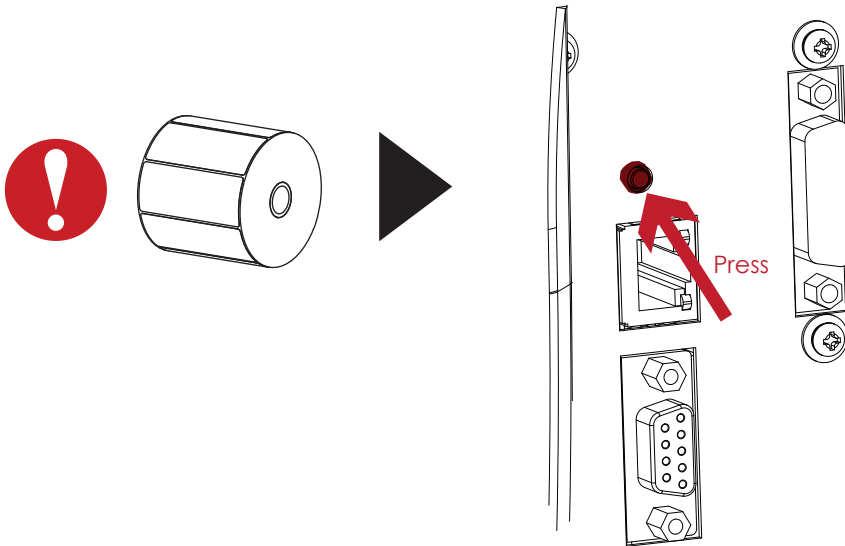
# 3 Printer Setting and Control

## Label Calibration Button

A hardware button to make a Label Calibration while printer encountering "Media Error" during the cases when first-time printer start up or change label or ribbon to another type, such as change using gap label to continuous or black mark labels.



Press C-button for 2 seconds, it will make an auto-sensing to calibrate the label and ribbon's parameters.



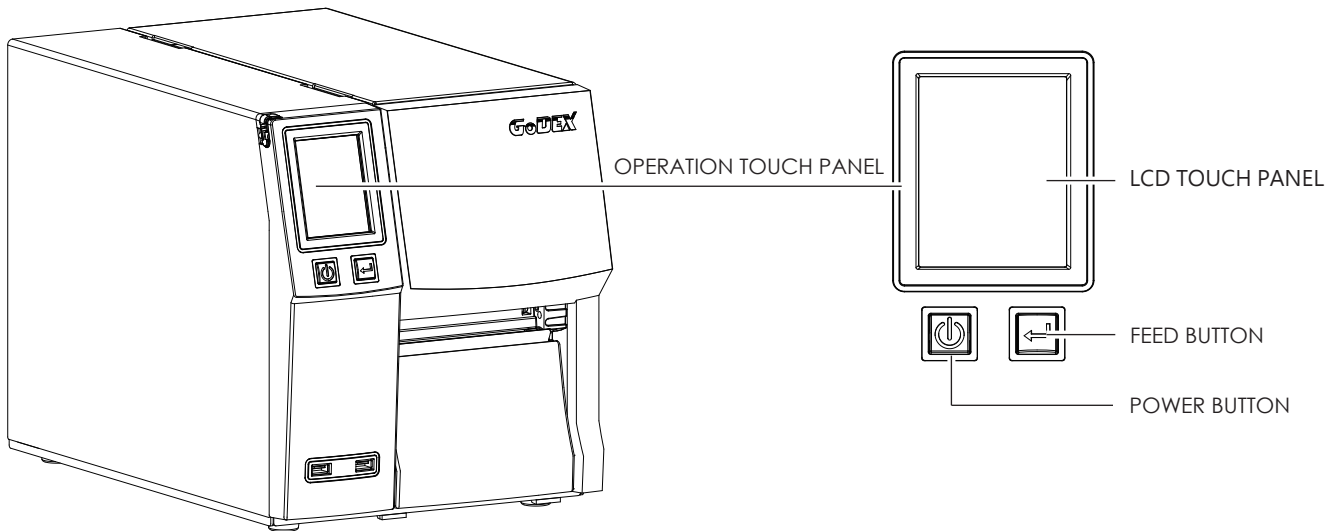
## Note

\* Press C-button is equivalent to the auto-sensing command "~S,SENSOR" that will cancel on-printing-job and make the Label Calibration immediately.

# 3 Printer Setting and Control

## 3.5 Error Alerts

In the event of a problem that prevents normal functioning of the printer, you will see an error message on LCD screen and hear some beep signals. Please refer to below table for the error alerts.

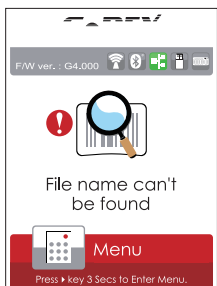
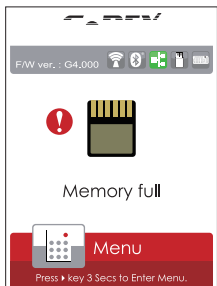


Operation Panel Status

|  | Type             | Beeps       | Description   | Solution   |
|--|------------------|-------------|---|--|
|  | Print Head Error | 2 x 4 beeps | The printing mechanism is not correctly closed.               | Open the print mechanism and close it again.                               |
|  | Print Head Error | None        | High temperature at the print head.                           | Once the print head has cooled down, the printer switches to standby mode. |
|  | Media Error      | 2 x 3 beeps | No ribbon is installed and the printer displays an error.     | Make sure that the printer is set to direct thermal printing mode.         |
|  |                  |             | The ribbon is finished or the label supply hub is not moving. | Replace the ribbon roll.   |

# 3 Printer Setting and Control

## Operation Panel Status



| Status      | Beeps       | Description  | Solution   |
|-------------|-------------|--|--|
| Media Error | 2 x 2 beeps | No paper is detected.  | Make sure that the label sensor is positioned correctly. If the sensor still does not detect the paper, run the auto-detection function again.   |
|             |             | Paper is finished.   | Replace the label roll.  |
| File Error  | 2 x 2 beeps | Printer feed problem.  | Possible reasons: the print medium has become trapped around the rubber roll; the sensor cannot detect a gap or black mark between the labels; there is no paper. Please reset the sensor. |
|             |             | The memory is full. The printer prints the message "File System full".                   | Delete unnecessary data or install additional memory.  |
|             |             | Unable to find file. The printer prints the message "File Name not found"                | Use the "~X4" command to print all files. Then check whether the files exist and whether the names are correct.  |
|             |             | A file of the same name already exists. The printer prints the message "Duplicate Name". | Change the name of the file and try storing it again.  |

# 3 Printer Setting and Control

## 3.6 USB Host

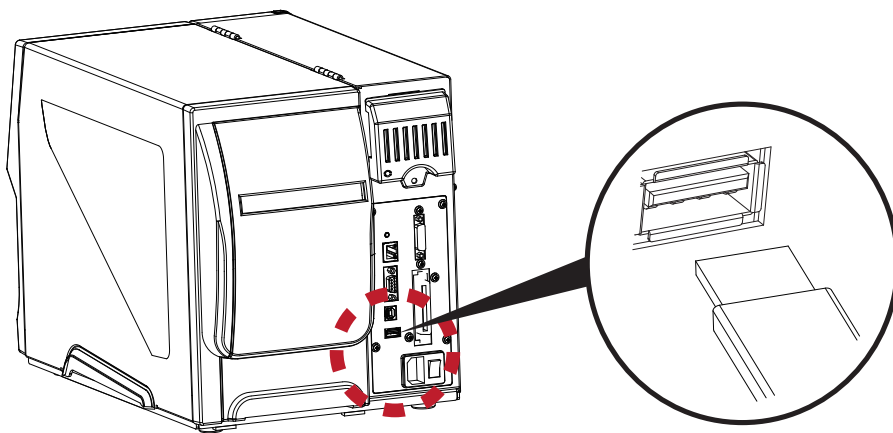
Definition : USB Host port supports either device : USB memory stick, keyboard or scanner.

### Purpose

- USB memory stick : It extends the user memory space up to 32GB for Graphic, Font, Label Format, DBF and Command files downloading. The printer's Firmware also can be updating if copy new version of Firmware into USB memory stick.
- Connecting an USB keyboard to printer for "Keyboard Mode" mode operation.
- Plug-in an USB scanner to operate the printer in "Keyboard Mode" .

### Usage of Extended Memory

- USB memory stick : It supports hot-plugging function; printer will create a Folder "\LABELDIR" and switch "User Flash" to " Extended Memory" automatically while user plugs an USB memory stick into a GoDEX printer.
- Connect the USB Stick plugged -in printer to PC via USB Device or Ethernet port and run "GoLabel" software to download Graphic, Font, Label Format, DBF and Command files to the printer.
- Detail download procedures, please refer to "GoLabel On-line Help".



### Usage of Firmware Update

- Remove USB memory stick from printer and plug-in it to a PC's USB port; delete Firmware "\*.bin" file from "\LABELDIR\FW" of USB memory stick if it existing; or create a Folder "\LABELDIR\FW" to USB memory stick if it doesn't existing.
- Copy a new version of Firmware "xxxx.bin" to the Folder "\LABELDIR\FW"; and then remove USB and plug-in back to the printer that going to update Firmware.
- The printer will update the Firmware automatically when plug-it-into the printer and printer find-out the Firmware in "\LABELDIR\FW" is newer version.
- Don't remove the USB memory stick out while it's under updating with "Flash Writing..." message that displays on LCD panel.

# 3 Printer Setting and Control

## USB Keyboard

- When plug-in an USB keyboard to the printer, LCD touch panel will display "Enter Standalone", press the "Y" key on keyboard to entering to the dialog for "Keyboard Mode" operation.
- Here have six sub-dialogs "Recall Label" "Country Code" "Code Page" "Clock Setting" "Database Setting" "Label Edit" is able operating by keyboard as follow definition:
  1. Press "ESC" key to exist from "Keyboard Mode" or back to previous dialog
  2. Press "F1", it will let the printer from "Home Page" mode entering into "Keyboard Mode"
  3. Press "Enter", "Arrow" and "Alphabetic" keys as the usual in PC that will perform the key-in function of "Keyboard Mode".

## Scanner

- When plug-in an USB scanner to the printer, LCD touch panel will display "Enter Standalone", tap the "Y" to entering the dialog of "Keyboard Mode" operation.
- Scanner is using in "Keyboard Mode" to scanning the "Serial Number, Variable" and Print Quantity while the printer prompts a message on LCD touch panel and wait for data input.

## Note

---

- \* The USB Host port on GoDEX printer is without "HUB" function.
- \* The USB Memory Stick supports with "FAT32" Disk Format and up to 32GB only. The certified venders are Transcend, Apacer, Patriot, Consair and Kingston.
- \* The download function for Graphic, Font, Label Format, DBF and Command files is operated by GoLabel of PC and must go through the a "i" "x" model printer itself.
- \* On a PC, user may copy entire folder "\LABELDIR" from USB memory stick to PC or vice-versa. Copy a sub-folder or individual file in "\LABELDIR" to PC or vice-versa is not supported.

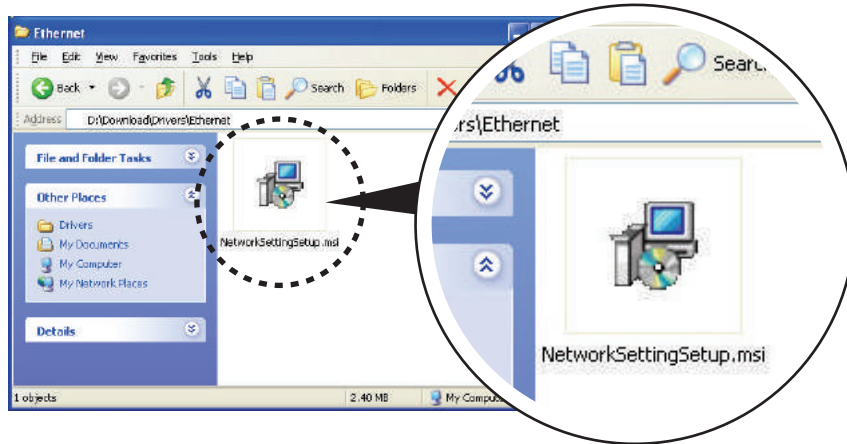


# 4 NetSetting for Ethernet

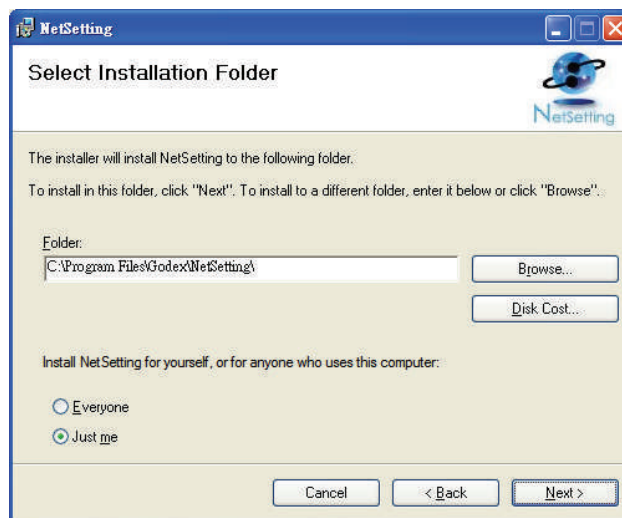
## 4.1 Installing the NetSetting software

The NetSetting software is used to manage the network configurations when connecting the printer via Ethernet port. It is available on product CD or can be downloaded from official website. To install the NetSetting, please follow below steps.

1. Insert the product CD in the CD/DVD drive of the host computer and open the "Ethernet" folder on the CD.
2. Select the icon for the NetSetting installation file and click it to start the installation.



3. Follow the instructions on the screen. The Setup Wizard guides you through the installation procedure.
4. Specify the "Installation Folder".



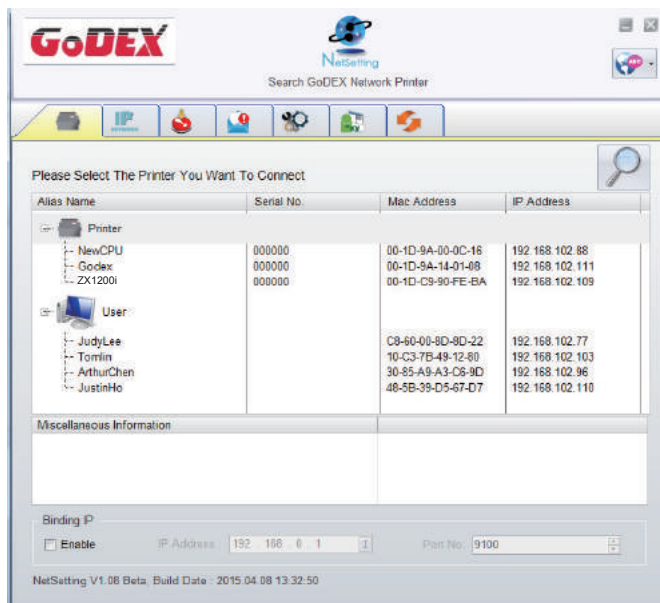
5. Click "Next" to start the installation.
6. Once the installation is completed; you will see the NetSetting icon on your desktop.



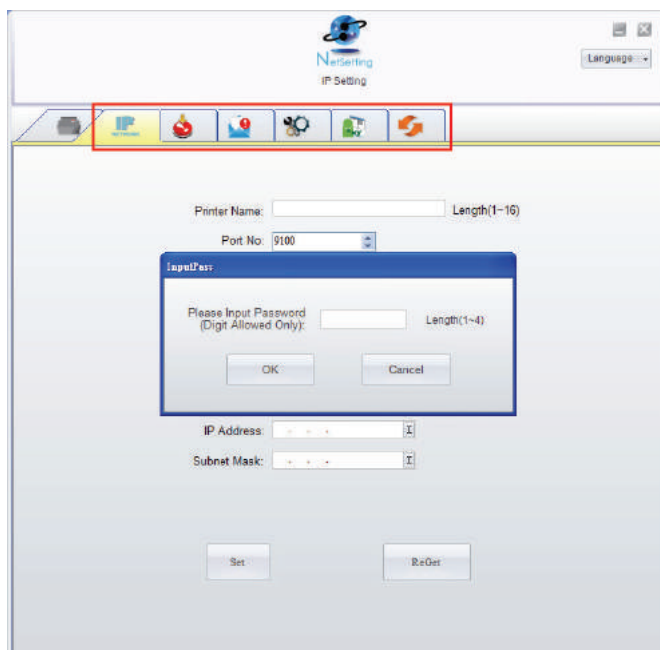
# 4 NetSetting for Ethernet

## 4.2 The Interface of NetSetting

Click the NetSetting icon to start the program; you will see the start page as below. The start page will display the basic information of connected printer and your PC.



Click the magnifier icon to search the Godex printers which are connected via Ethernet port in your network environment. Once a connected Godex printer is detected, it will be listed on the start page.



There are six tabs on the top of interface which can configure different types of network settings. But for the data security reason, you need correct password to enter the configuration pages.

### Notice

\* The default password is "1111", you can change the password later from the "IP Setting" tab.

# 4 NetSetting for Ethernet

## IP Setting

The IP Setting tab can change the printer name, Port number, Gateway setting and the password for configuring the printer. You can also set the printer's IP address either by DHCP or by Static IP.

The screenshot shows the 'NetSetting IP Setting' window. At the top left is the 'GoDEX' logo. In the center is the 'NetSetting IP Setting' logo. On the right are window control buttons and a language dropdown. Below the title bar is a navigation bar with icons for printer, network, home, help, settings, and refresh. The main content area has the following fields:

- Printer Name: Godex (Length(1~16))
- Port No: 9100
- Default Gateway: 192 . 168 . 0 . 254
- Password: 1111 (Length(1~4))
- Get IP From DHCP Server
- Static IP
- IP Address: 192 . 168 . 102 . 55
- Subnet Mask: 255 . 255 . 255 . 0

At the bottom are two buttons: 'Set' and 'Refresh'.

You can press "Set" button to apply the settings and "ReGet" button to refresh the setting values.

## Notice

- \* To fully benefit from the NetSetting software, you should be familiar with basic networking principles. Please contact your network administrator for related network setting information.
- \* When enabling DHCP, if you find the IP Address as: IP = 169.254.229.88, Netmask = 255.255.0.0, Gateway = invariable (last value), the IP Address is invalid.

# 4 NetSetting for Ethernet

## Alert Path Setting

NetSetting will send the alert messages to designated mail account when the error happened on printer. The alert messages are sent by SMTP (Simple Mail Transfer Protocol) or SNMP (Simple Network Management Protocol). You can set or change the configurations of SMTP and SNMP on this "Alert Path Setting" tab.

The screenshot shows the 'Alert Mail Setting' window in the GoDEX NetSetting application. The window title is 'Alert Mail Setting' and it features the GoDEX logo and NetSetting branding. A navigation bar at the top contains icons for printer, IP network, alert, settings, help, and refresh. The main content area is divided into two sections: SMTP and SNMP alert message notifications.

Enable SMTP Alert Message Notification

Login Account: default Length(1~64)  
Login Password: \*\*\*\*\* Length(1~16)  
Server IP Address: 192 . 168 . 0 . 1 xxx.xxx.xxx.xxx  
Mail Subject: Barcode printer message Length(1~60)  
Mail From Address: default@default.com Length(1~32)  
Mail To Address: default@default.com Length(1~32)  
Duration Cycle: 1 0 ~ 168 Hours  
Event Counter: 5 1 ~ 100

Enable SNMP Alert Message Notification

SNMP Community: public Length(1~16)  
SNMP Trap Community: public Length(1~16)  
Trap IP Address: 192 . 168 . 0 . 1 xxx.xxx.xxx.xxx

Buttons: Set, Refresh

You can press "Set" button to apply the settings and "ReGet" button to refresh the setting values.

# 4 NetSetting for Ethernet

## Alert Message Setting

For the alert message notification function, you can decide which error cases need to be sent out to the operator. Moreover, the alert messages can be set to be sent by SMTP, SNMP or both.



You can press "Set" button to apply the settings and "ReGet" button to refresh the setting values.

# 4 NetSetting for Ethernet

## Printer Configuration

Set or change the configurations of connected printer. Most of key settings for the printer operation can be done by this setting page.

The screenshot shows the 'Printer Configuration' web interface for a GoDEX printer. The interface is titled 'GoDEX NetSetting Printer Configuration' and features a navigation bar with icons for printer, IP network, alarm, help, settings, and refresh. The main content area is divided into three sections: 'Printer Setup', 'Serial Port Setting', and 'Miscellaneous'. Each section contains various settings, most of which are dropdown menus or spinners. At the bottom, there are 'Set' and 'Refresh' buttons.

| Printer Setup                   |
|---------------------------------|
| Printer Model: ZX1200i          |
| Tear-off Position: 12           |
| Speed: 2                        |
| Darkness: 12                    |
| Dispenser/Applicator: 0 (None)  |
| Labels per Cut: 0               |
| Printing Mode: Thermal Transfer |

| Serial Port Setting |
|---------------------|
| Baud Rate: 4800     |
| Parity: None        |
| Data Bits: 8        |
| Stop Bits: 1        |

| Miscellaneous                     |
|-----------------------------------|
| LCD Language: Traditional Chinese |
| Sensing Mode: 0 - Reflective      |
| Keyboard Country Code: US         |
| Pre-Printing: OFF                 |
| Code Page: Code Page 850          |
| Top Of Form: ON                   |
| Buzzer: ON                        |

You can press "Set" button to apply the settings and "ReGet" button to refresh the setting values.

# 4 NetSetting for Ethernet

## User Command

The "User Command" tab provides a communication interface for operator to control the printer. Input printer commands in "Input Command" window and press "Send Command" button, the commands will be sent to the printer.

For some commands that will return response message, the message will be displayed in "Output Message" window.



You can press "Send Command" button to send printer commands via Ethernet port and control the printer remotely.

# 4 NetSetting for Ethernet

## Firmware Download

On "Firmware Download" tab, the current version of printer firmware will be showed on the screen. If you need to update the printer firmware, just specify the file location of firmware file and press "Start Download Firmware" button. The printer firmware then can be updated remotely.



In addition to the firmware update, you can press "Recover To Factory Settings" button to restore the printer configurations back to factory default.

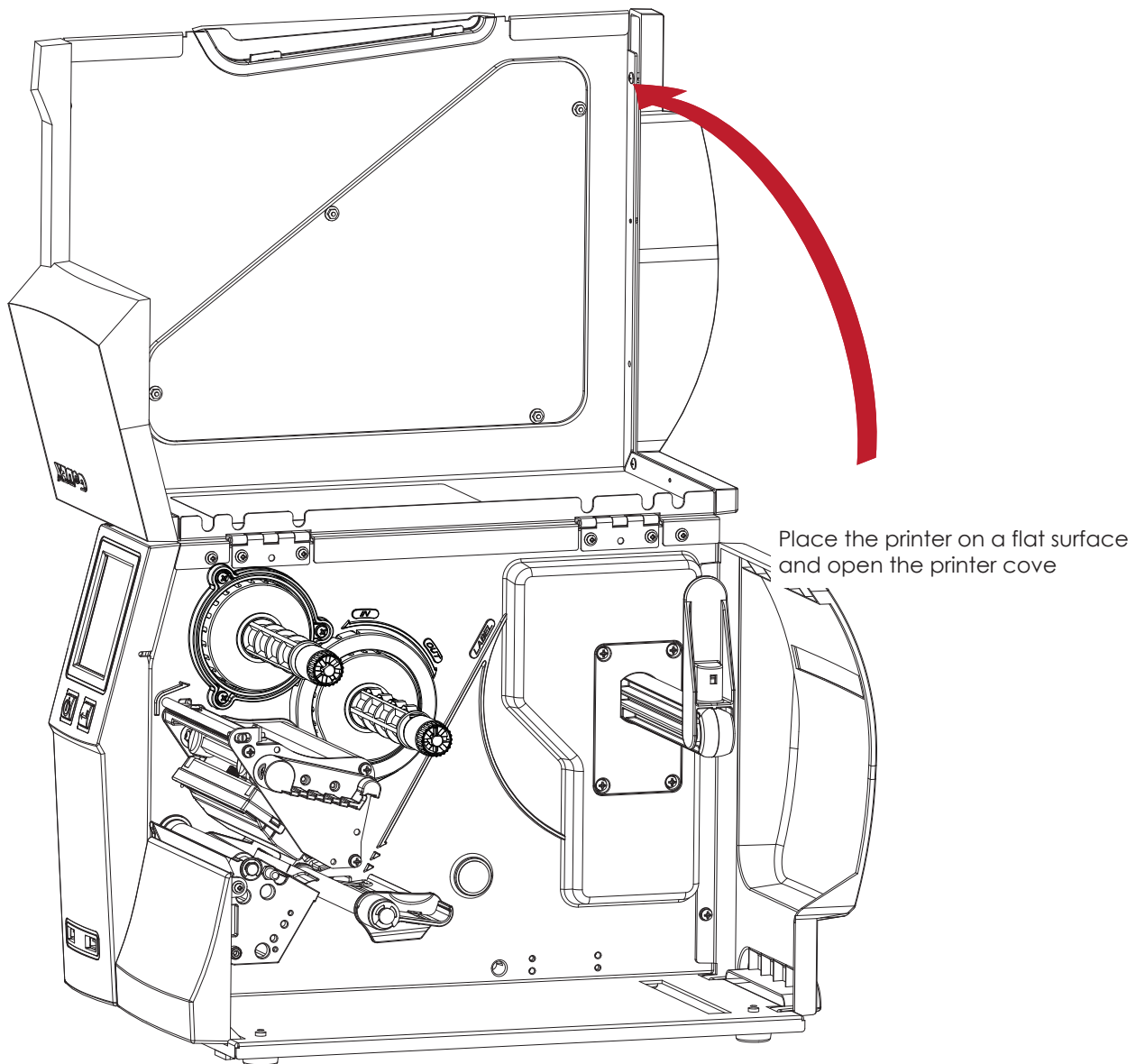


# 5 Accessories

## 5.1 Preparation Steps

Before installing the optional modules, please make some preparations as follows.

1. Turn off the printer :  
Remember to switch off the printer before installing any module.
2. Open the printer cover



### Notice

- \* Remember to switch off the printer before installing the cutter.
- \*\* Do not use to cut adhesive labels! Glue residue will be left on the cutter blade and impair its functioning.
- \*\*\* Under the ordinary paper application condition, the cutter performs 300000 cuts of a heavy paper with up to 250  $\mu\text{m}$  thick or 100000 cuts of a plastic sheet with up to 300  $\mu\text{m}$  thick.

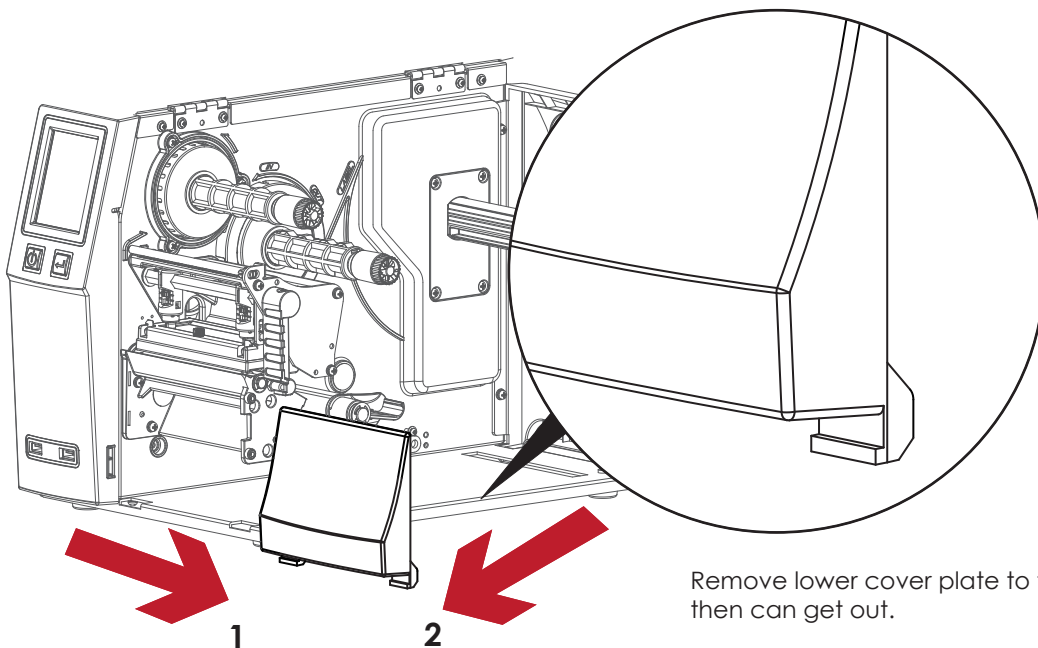
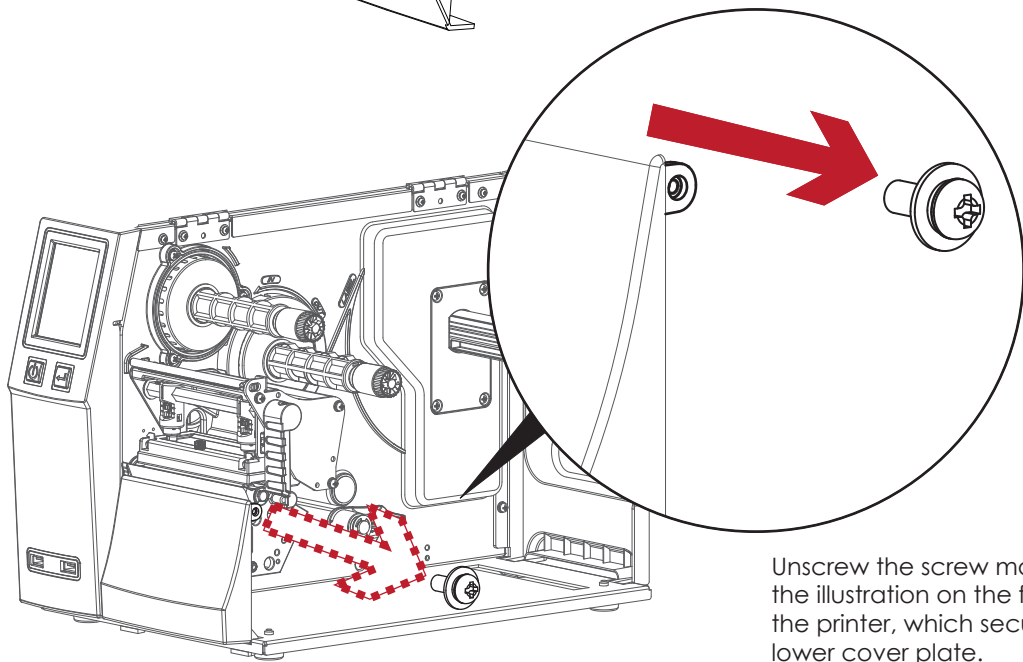
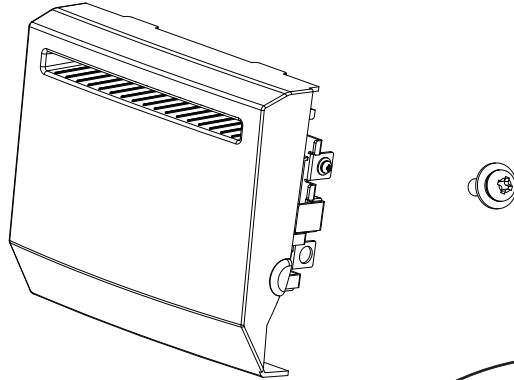
# 5 Accessories

## 5.2 Installing the Cutter

### The Overview of the Cutter

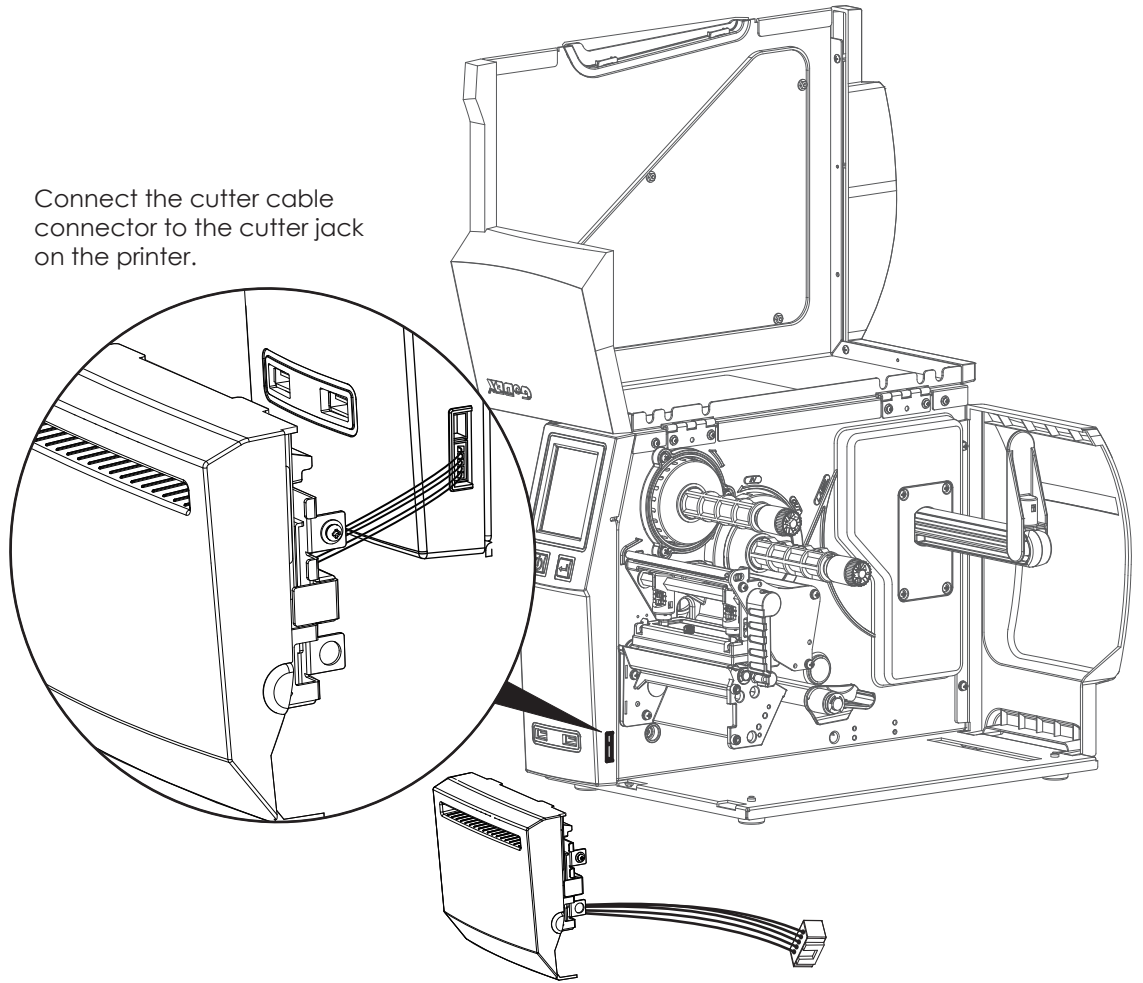
1. Cutter module

2. Screw

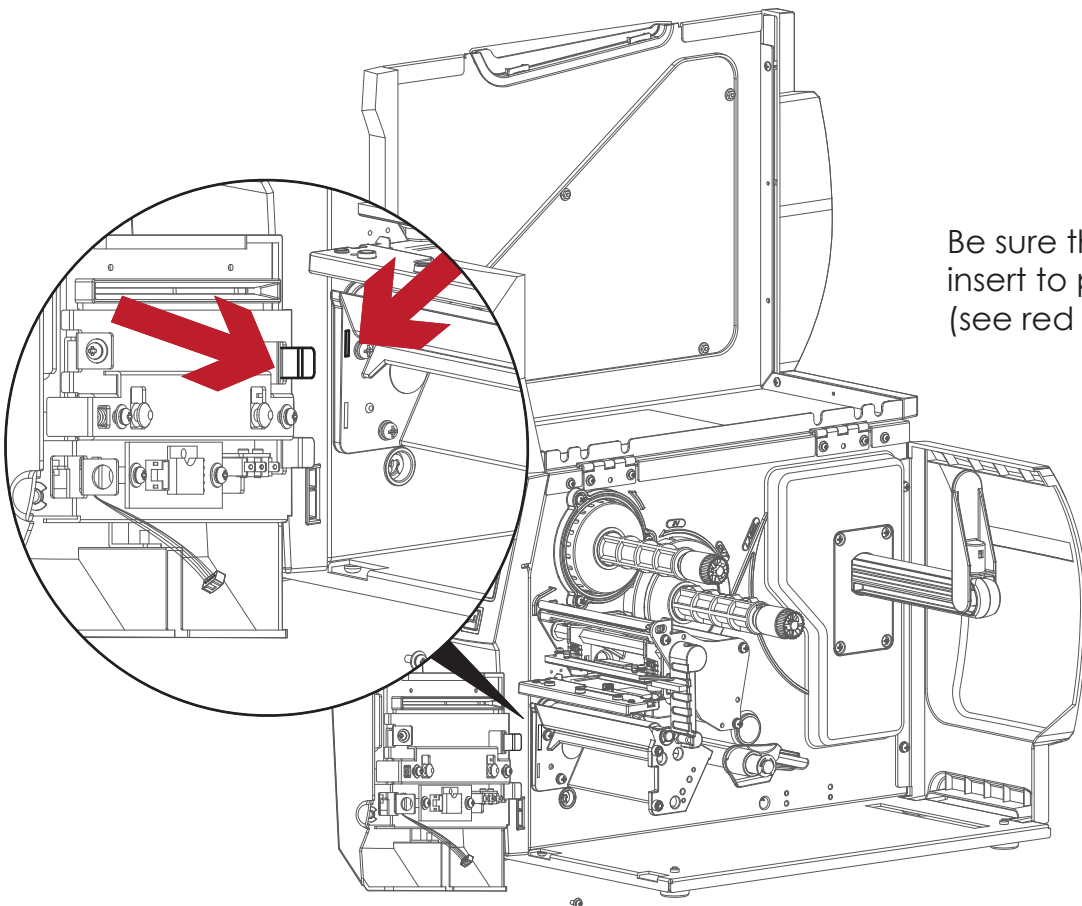


## 5 Accessories

Connect the cutter cable connector to the cutter jack on the printer.

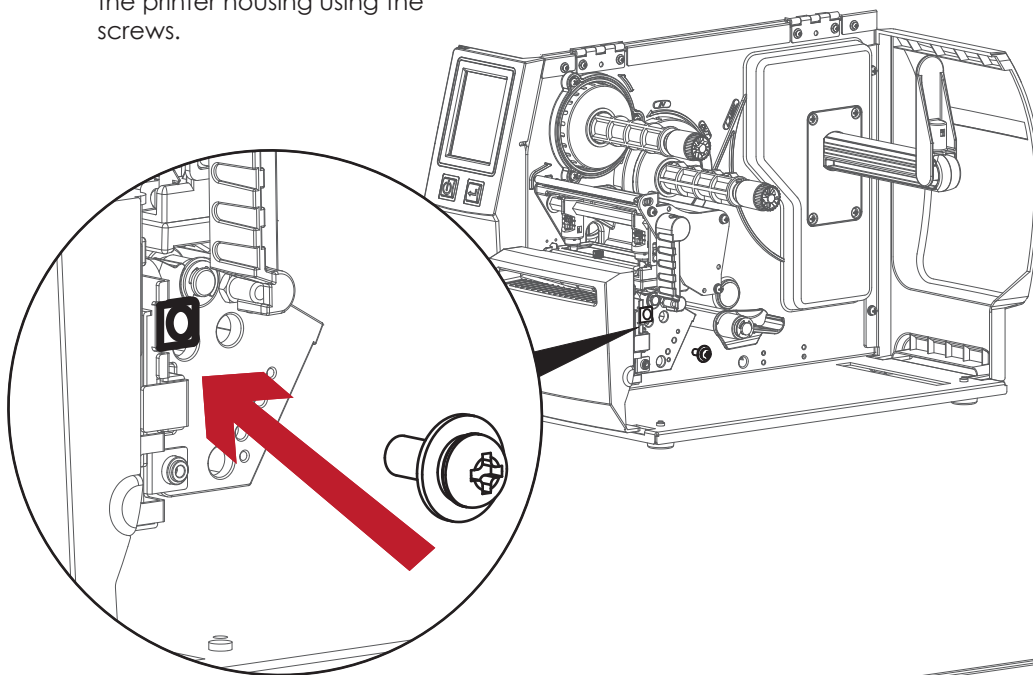


Be sure the cutter module insert to printer properly.  
(see red arrow)

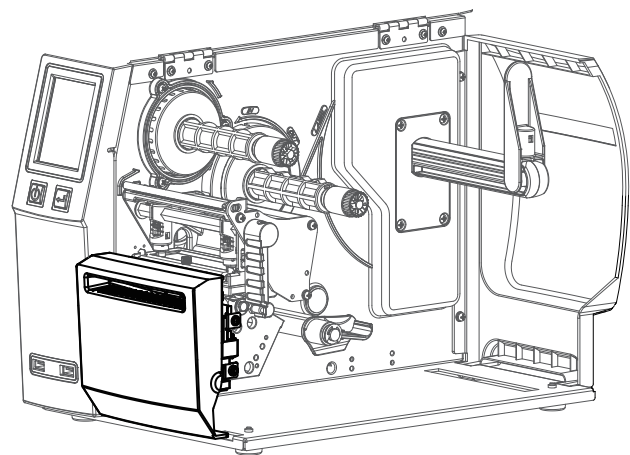


## 5 Accessories

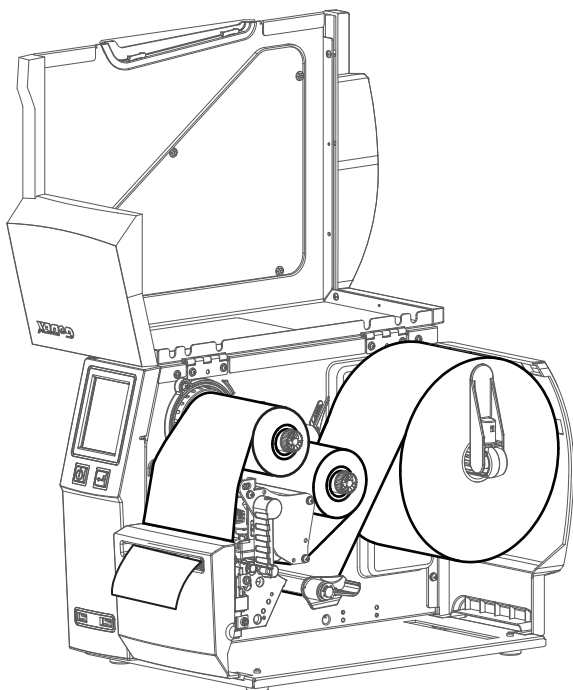
Secure the cutter module on the printer housing using the screws.



Finish the cutter module installed.



Now load the label roll into the printer and close the printer cover.



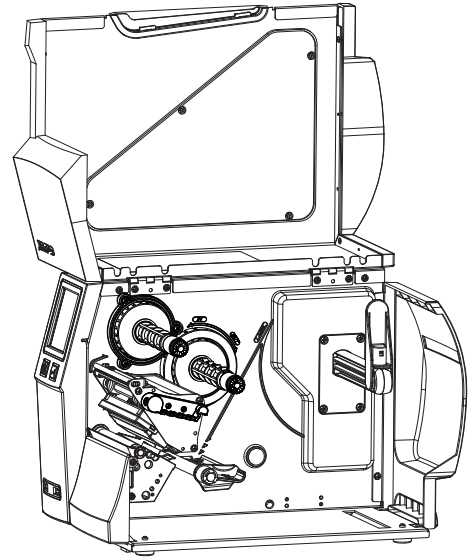
### Notice

- \* Check whether the cutter function is enabled in the printer.
- \*\* Labels or paper should be at least 30 mm high.
- \*\*\* After installation of the cutter module, set the stop position (^E) to 30.

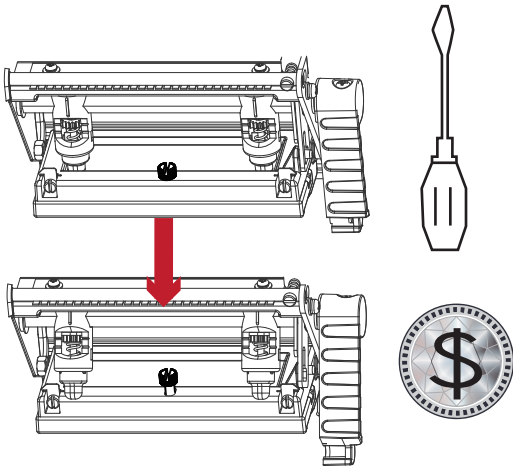
# 6 Maintenance and Adjustment

## 6.1 Installing / removing the print head module

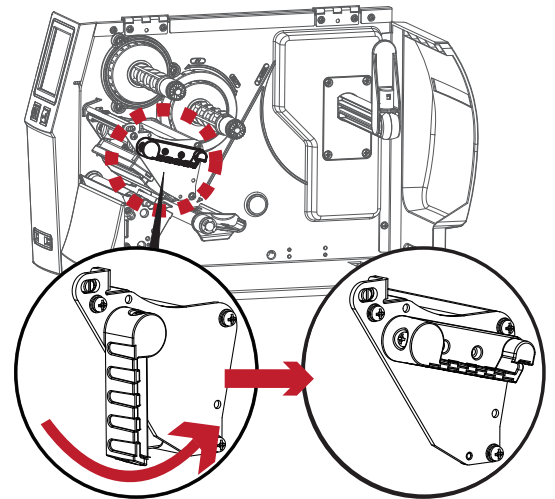
Open the printer cover.



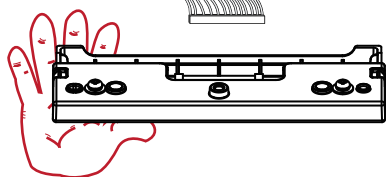
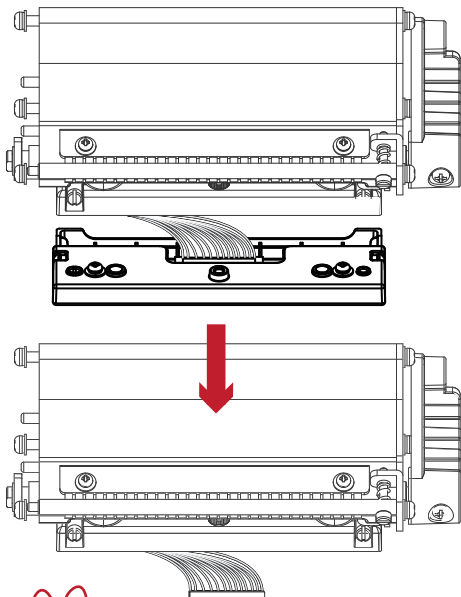
using a screwdriver or a coin, loosen the screw to take out the TPH module.



Turn the print head counterclockwise to a top right position



Hold the print head module, pull out the TPH cable smoothly. To install TPH module, follow the reverse order.



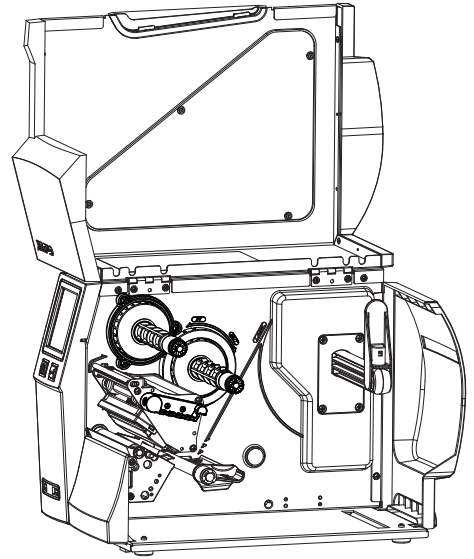
Note

\* Remember to switch off the printer before removing the print head module.

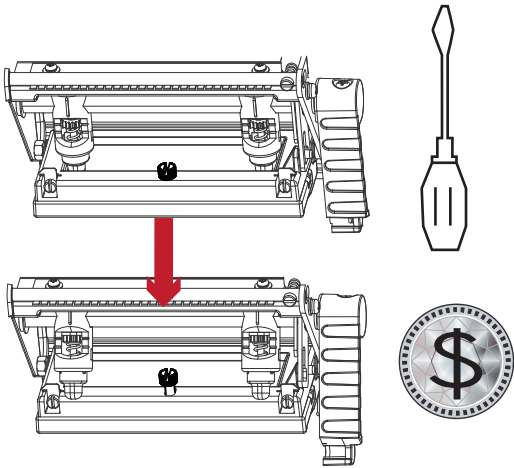
# 6 Maintenance and Adjustment

## 6.2 Adjusting the print line

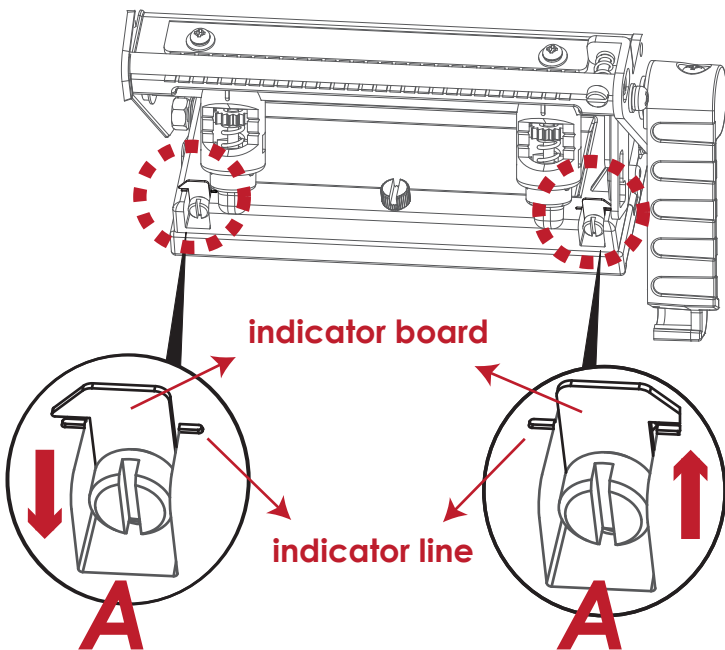
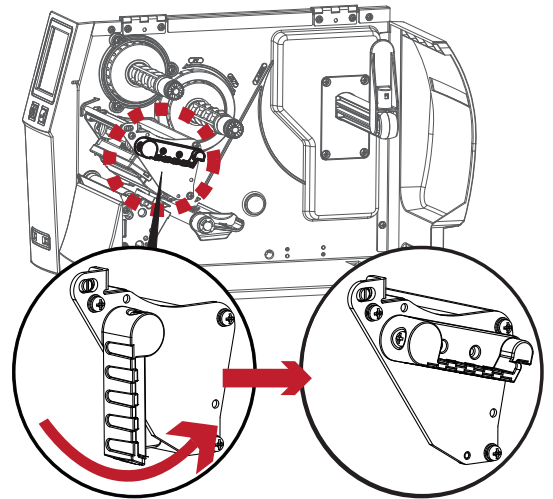
Open the printer cover.



using a screwdriver or a coin to loosen the screw



Turn the print head counterclockwise to a top right position



If no improvement is visible, turn the screws(A) clockwise or counterclockwise as far as possible and be sure to align with the indicator board and indicator line. Repeat the adjustment process until printing quality has improved.



## 6 Maintenance and Adjustment

### 6.3 Adjusting ribbon tension

You can adjust the ribbon tension by turning the ribbon shaft knob (see illustration) clockwise or counterclockwise. There are 4 possible settings, which is marked on the ribbon supply hub.

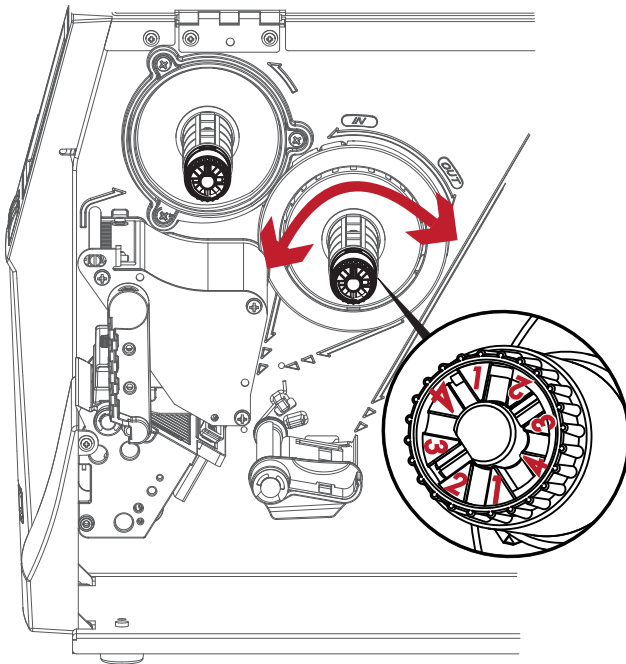
# 1 : Tension is the highest

# 4 : Tension is the lowest

If the tension is so low that the ribbon does not move forward, you need to reduce the tension of the ribbon supply hub. To set the tension, press in the knob and turn it clockwise or counterclockwise as required.

Increasing the tension of the ribbon rewind hub will remove any wrinkling of the ribbon during printing, which results from the use of different ribbon materials. (For details about the wrinkling/creasing of ribbons, see Section 6-6.)

If you are using a very narrow ribbon, the printer may not move the label stock forward (particularly with a ribbon that is less than 2" wide). In that case, reduce the tension by turning the knob of the ribbon supply hub counterclockwise.



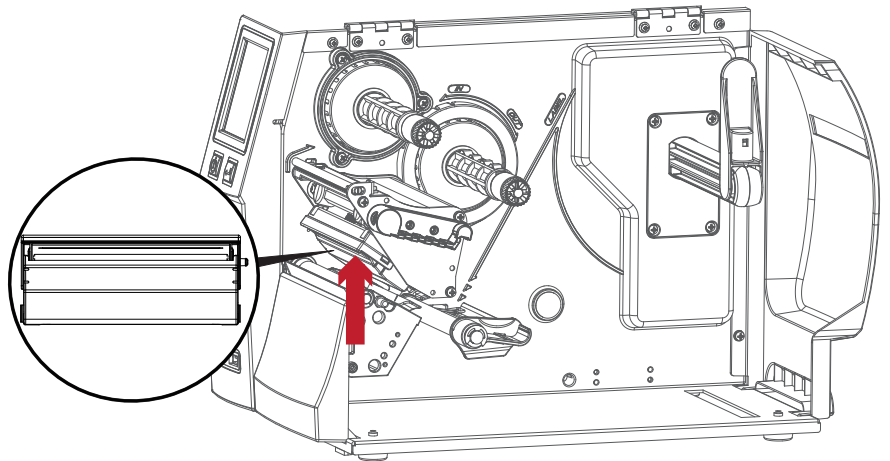
## 6 Maintenance and Adjustment

### 6.4 Cleaning the thermal print head

Dirt on the print head or ribbon may result in inadequate print quality (there are only partial images on the label). The printer cover should therefore be kept closed when possible.

Keeping dirt and dust away from the paper or labels ensures a good print quality and a longer lifespan of the print head. Here is how you clean the print head:

1. Switch off the printer.
2. Open the printer cover.
3. Remove the ribbon.
4. Release the print head by turning the print head release lever.
5. To remove any label residue or other dirt from the print head (see Red arrow), please use a soft lint-free cloth dipped in alcohol to wipe.



#### Note

\* The print head should be cleaned once a week.

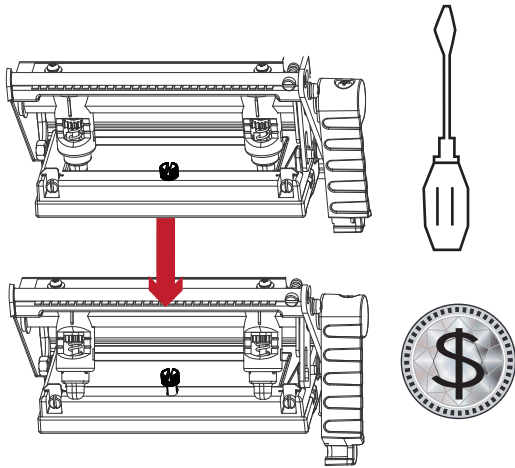
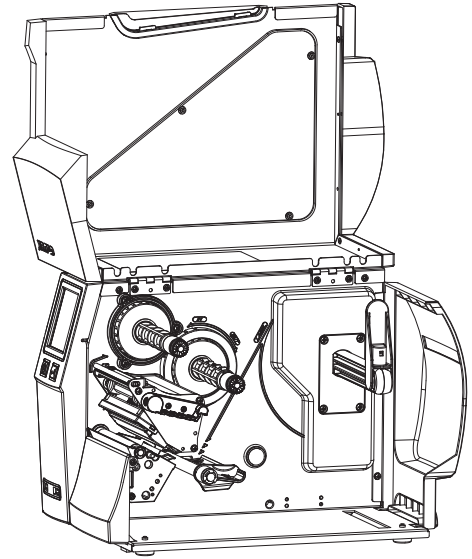
\*\*Please make sure that there are no metal fragments or other hard particles on the soft cloth used to clean the print head.



# 6 Maintenance and Adjustment

## 6.5 Adjusting the balance and print head tension

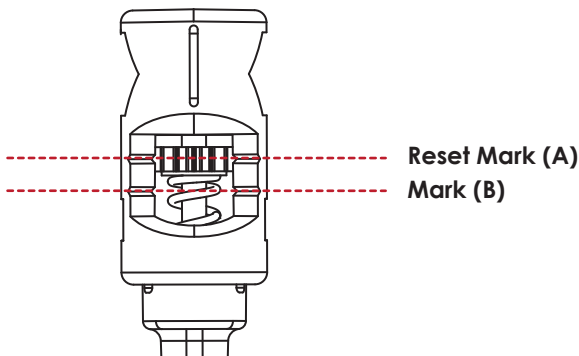
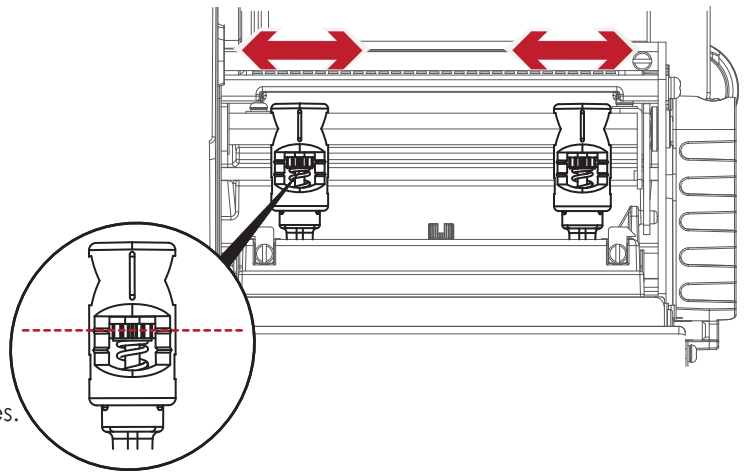
Open the printer cover.



using a screwdriver or a coin to loosen the screw

When using a variety of label stock and ribbons, the ink may not be evenly distributed. If there is no printed image on one side of the paper, or the ribbon wrinkles, the print head pressure must be readjusted using the TPH spring boxes.

Move the TPH spring boxes as shown in the illustration to change the print head pressure. The wider the label you are using, the further apart the TPH spring boxes must be moved away from each other. If there is no quality improvement, you need to change the pressure on the TPH spring boxes.



Turning the screw left increases the pressure, while turning it right reduces the pressure. Be sure not to turn the screw so that it goes below Mark(B).

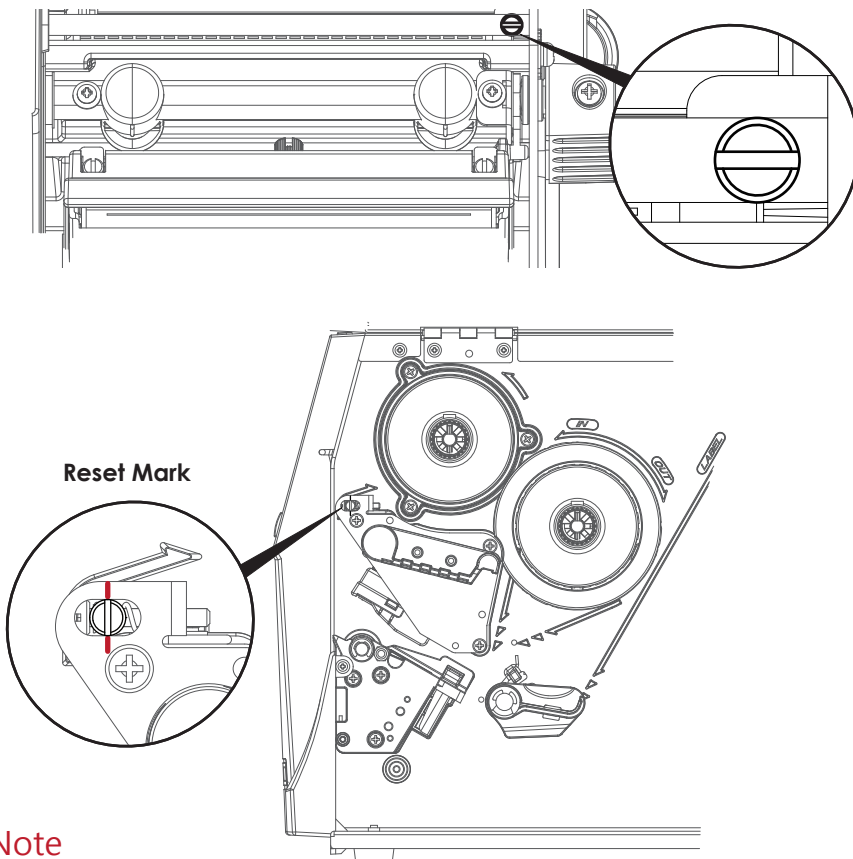
## 6 Maintenance and Adjustment

### 6.6 Ribbon shield settings

The use of different ribbon materials may cause wrinkling of the ribbon, which in turn affects the print result as illustrated by the examples in (a) and (b). To change the print quality, you can adjust the ribbon shield screws. If your print result looks like the example in (a), you need to turn ribbon shield screw counterclockwise. If your print result looks like the example in (b), you need to turn ribbon shield screw clockwise.



To keep track of the change in print quality, you should adjust the screws by half a turn at a time. Print a test page. If there is no improvement in the print result, turn the screw by another half turn. Do not turn the adjustment screw more than two full turns (360°).

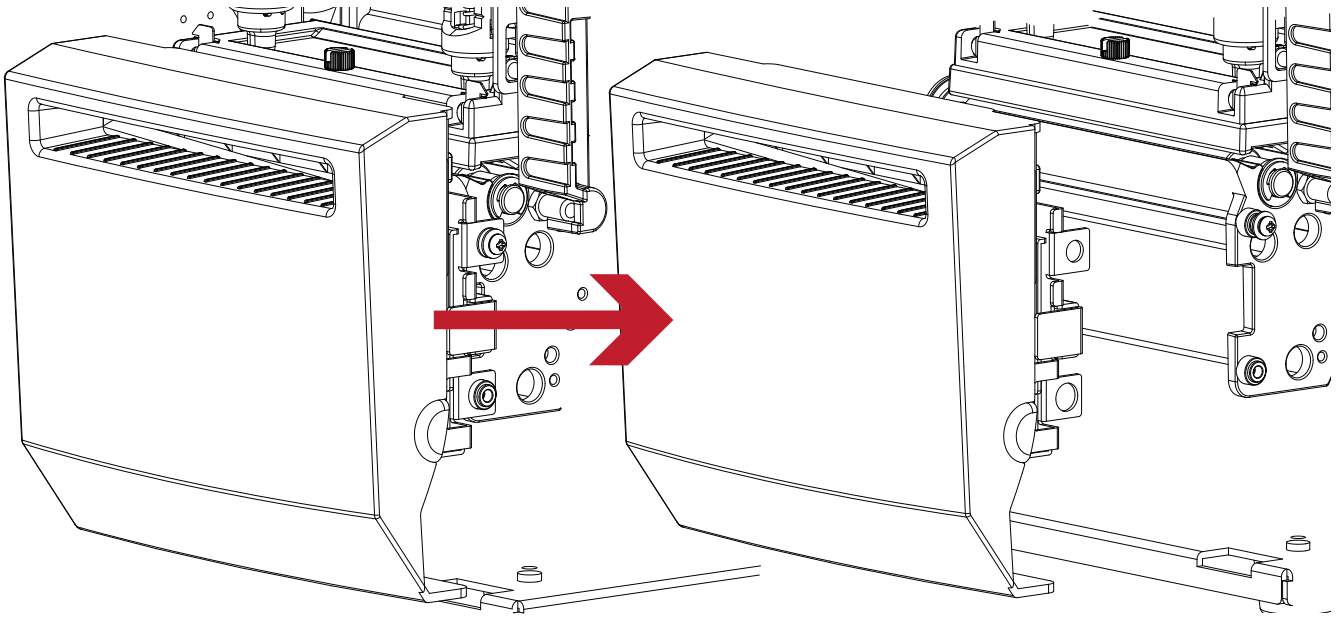


#### Note

\* If you adjust the screw by more than two full turns, the paper feed may no longer function correctly. In that case, unscrew the ribbon shield screws to align the reset mark and restart the adjustment process.

## 6 Maintenance and Adjustment

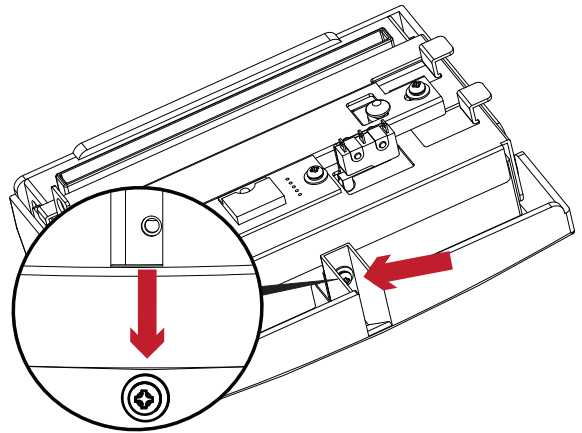
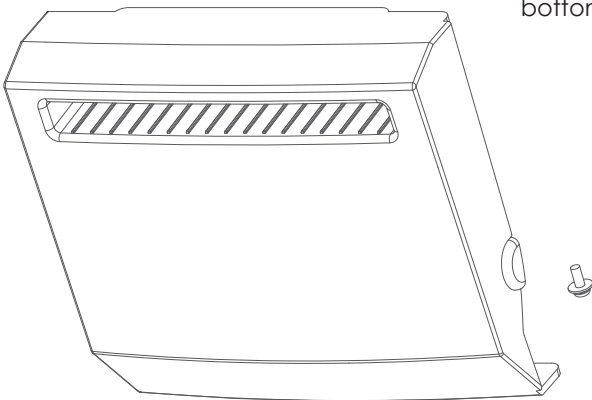
### 6.7 Cutter settings



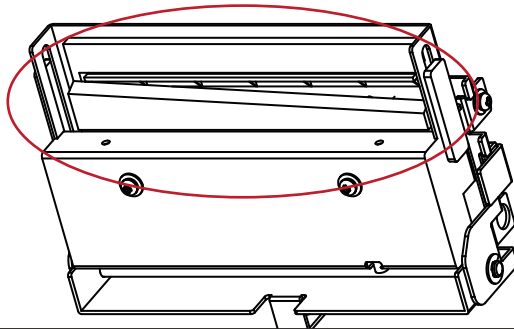
Switch off the printer before removing the CUTTER.

(remove or install cutter refer to 'accessories' in Section 5)

Unscrew the screw at the bottom of cutter .



Remove the cutter cover.  
Clean and remove jammed paper.  
Reinstall CUTTER back onto printer.



#### Note

\* Remember to switch off the printer before removing the CUTTER.

\*\*The label medium should be at least 30 mm long to ensure correct functioning of the cutter.

## 6.8 Troubleshooting

| Problem   | Solution   |
|---|--|
| The printer is switched on but the LED does not light up.                     | <ul style="list-style-type: none"> <li>◆ Check the power supply.<br/>Please see the Section 2.4</li> </ul>   |
| The LED lights up red and printing is interrupted.                            | <ul style="list-style-type: none"> <li>◆ Check the software settings (driver settings) or command codes.</li> <li>◆ Look for the error alert in the table in Section 3.3. Error Alerts.</li> <li>◆ Check whether the print mechanism is closed correctly.<br/>Please see the Section 3.3</li> </ul>            |
| The label stock passes through the printer but no image is printed.           | <ul style="list-style-type: none"> <li>◆ Please make sure that the label stock is loaded the right side up and that it is the suitable material.</li> <li>◆ Choose the correct printer driver.</li> <li>◆ Choose the correct label stock and a suitable printing mode.</li> </ul>                              |
| The label stock jams during printing.   | <ul style="list-style-type: none"> <li>◆ Clear the paper jam. Remove any label material left on the thermal print head and clean the print head using a soft lint-free cloth dipped in alcohol.<br/>Please see the Section 6.1</li> </ul>  |
| There is no printed image on some parts of the label.                         | <ul style="list-style-type: none"> <li>◆ Check whether there is any label material or ribbon stuck to the the print head.</li> <li>◆ Check for errors in the application software.</li> <li>◆ Check whether the starting position has been set correctly.</li> <li>◆ Check the ribbon for wrinkles.</li> </ul> |
| There is no printed image on part of the label or the image is blurred.       | <ul style="list-style-type: none"> <li>◆ Check the thermal print head for dust or other dirt.</li> <li>◆ Use the internal “~T” command to check whether the thermal print head will carry out a complete print job.</li> <li>◆ Check the quality of the print medium.</li> </ul>                               |
| The printed image is positioned incorrectly.                                  | <ul style="list-style-type: none"> <li>◆ Check whether there is paper or dust covering the sensor.</li> <li>◆ Check whether the label stock is suitable. Contact your supplier.</li> <li>◆ Check the paper guide settings.</li> </ul>  |
| Skipping labels during printing.  | <ul style="list-style-type: none"> <li>◆ Check the label height setting.</li> <li>◆ Check whether there is dust covering the sensor.</li> <li>◆ Run the auto-detection function.<br/>Please see the Section 3.2</li> </ul>   |
| The printed image is blurred.   | <ul style="list-style-type: none"> <li>◆ Check the darkness setting.</li> <li>◆ Check the thermal print head for dust or dirt.<br/>Please see the Section 6.1</li> </ul>   |
| The cutter does not cut off the labels in a straight line.                    | <ul style="list-style-type: none"> <li>◆ Check whether the label stock is positioned straight.</li> </ul>  |
| The cutter does not cut off the labels completely.                            | <ul style="list-style-type: none"> <li>◆ Check whether the label is more than 0.2 mm thick.</li> </ul>   |
| When using the cutter, the labels are not fed through or cut off incorrectly. | <ul style="list-style-type: none"> <li>◆ Check whether the cutter has been correctly installed.</li> <li>◆ Check whether the paper guides are functioning correctly.</li> </ul>  |
| The label dispenser is not functioning normally.                              | <ul style="list-style-type: none"> <li>◆ Check whether there is dust on the label dispenser.</li> <li>◆ Check whether the label stock is positioned correctly.</li> </ul>  |

### Note

\* If any problems occur that are not described above, please contact your dealer.

USER MANUAL  
**APPENDIX**  
 PRODUCT SPECIFICATIONS

| Model                   |                              | ZX1200i   | ZX1300i                                  | ZX1600i                                  |
|-------------------------|------------------------------|---|--|--|
| <b>Print Method</b>     |                              | Thermal Transfer / Direct Thermal   |  |  |
| <b>Resolution</b>       |                              | 203 dpi (8 dots/mm)   | 300 dpi (12 dots/mm)                     | 600 dpi (24 dots/mm)                     |
| <b>Print Speed</b>      |                              | Up to 10 IPS (254 mm/s)   | Up to 7 IPS (177 mm/s)                   | Up to 4 IPS (101.6 mm/s)                 |
| <b>Print Width</b>      |                              | 4.09" (104 mm) Up to (108mm)  | 4.09" (104 mm) Up to (105.7mm)           | 4.09" (104 mm) Up to (105.6mm)           |
| <b>Print Length</b>     |                              | Min. 0.16" (4 mm)** – Max. 180" (4572 mm)   | Min. 0.16" (4 mm)** – Max. 85" (2159 mm) | Min. 0.16" (4 mm) ** – Max. 26" (660 mm) |
| <b>Processor</b>        |                              | 32 bit RISC CPU   |  |  |
| <b>Memory</b>           | <b>Flash</b>                 | 128 MB Flash (60 MB for user storage)   |  |  |
|                         | <b>SDRAM</b>                 | 32 MB   |  |  |
| <b>Sensor Type</b>      |                              | Adjustable reflective sensor and transmissive sensor, left aligned  |  |  |
| <b>Media</b>            | <b>Type</b>                  | Continuous form, gap labels, black mark sensing, and punched hole; label length set by auto sensing or programming  |  |  |
|                         | <b>Width</b>                 | Tear : Min. 1" (25.4 mm) – Max. 4.64" (118 mm)<br>Cutter : Max. 4.61" (117 mm)<br>Dispenser / Rewind : Max. 4.64" (118 mm)  |  |  |
|                         | <b>Thickness</b>             | Min. 0.003" (0.06 mm) – Max. 0.01" (0.25 mm)  |  |  |
|                         | <b>Label roll diameter</b>   | Max. 8" (203.2 mm)  |  |  |
|                         | <b>Core diameter</b>         | Min. 1.5" (38.1 mm) – Max. 3" (76.2 mm)   |  |  |
| <b>Ribbon</b>           | <b>Types</b>                 | Wax, wax/resin, resin   |  |  |
|                         | <b>Length</b>                | Max. 1476' (450 m)  |  |  |
|                         | <b>Width</b>                 | Min. 1.18" (30 mm) – Max. 4.33" (110 mm)  |  |  |
|                         | <b>Ribbon roll diameter</b>  | 3" (76.2 mm)  |  |  |
| <b>Printer Language</b> |                              | EZPL, GEPL, GZPL auto switch  |  |  |
| <b>Software</b>         | <b>Label design software</b> | GoLabel (for EZPL only)   |  |  |
|                         | <b>Driver</b>                | MAC, Linux, Windows 2000 / XP / VISTA / Windows 7 / Windows 8.1   |  |  |
|                         | <b>DLL</b>                   | Win CE, .NET, Windows Mobile, Windows 2000 / XP / VISTA / Windows 7 / Windows 8.1 / Android   |  |  |
| <b>Resident Fonts</b>   | <b>Bitmap Fonts</b>          | 6, 8, 10, 12, 14, 18, 24, 30, 16x26 and OCR A&B<br>Bitmap fonts 90°, 180°, 270° rotatable, single characters 90°, 180°, 270° rotatable<br>Bitmap fonts 8 times expandable in horizontal and vertical directions   |  |  |
|                         | <b>TTF Fonts</b>             | TTF fonts (Bold / Italic / Underline), 0°, 90°, 180°, 270° rotatable  |  |  |
| <b>Download Fonts</b>   | <b>Bitmap Fonts</b>          | Bitmap fonts 90°, 180°, 270° rotatable, single characters 90°, 180°, 270° rotatable   |  |  |
|                         | <b>Asian Fonts</b>           | 16x16, 24x24, Traditional Chinese (BIG-5), Simplified Chinese (GB2312), Japanese (S-JIS), Korean (KS-X1001)<br>90°, 180°, 270° rotatable and 8 times expandable in horizontal and vertical directions   |  |  |
|                         | <b>TTF Fonts</b>             | 90°, 180°, 270° rotatable   |  |  |
| <b>Barcodes</b>         | <b>1-D Bar Codes</b>         | China Postal Code, Codabar, Code 11, Code 32, Code 39, Code 93, Code 128 (subset A, B, C), EAN-8/EAN-13 (with 2 & 5 digits extension), EAN 128, FIM, German Post Code, GS1 DataBar, HIBC, Industrial 2 of 5, Interleaved 2-of-5 (1 2 of 5), Interleaved 2-of-5 with Shipping Bearer Bars, ISBT-128, ITF 14, Japanese Postnet, Logmars, MSI, Postnet, Plessey, Planet 11 & 13 digit, RPS 128, Standard 2 of 5, Telepen, Matrix 2 of 5, UPC-A/UPC-E (with 2 or 5 digit extension), UCC/EAN-128 K-Mart and Random Weight |  |  |
|                         | <b>2-D Bar Codes</b>         | Aztec code, Code 49, Codablock F, Datamatrix code, MaxiCode, Micro PDF417, Micro QR code, PDF417, QR code, TLC 39, GS1 Composite  |  |  |
| <b>Code Pages</b>       |                              | Codepage 437, 850, 851, 852, 855, 857, 860, 861, 862, 863, 865, 866, 869, 737<br>Windows 1250, 1251, 1252, 1253, 1254, 1255, 1257<br>Unicode UTF8, UTF16BE, UTF16LE   |  |  |
| <b>Graphics</b>         |                              | Resident graphic file types are BMP and PCX, other graphic formats are downloadable from the software   |  |  |
| <b>Interfaces</b>       |                              | USB 2.0 (B-Type)<br>Serial port: RS-232 (DB-9)<br>IEEE 802.3 10/100 Base-Tx Ethernet port (RJ-45)<br>3 USB Host (A Type) 2 ports at the front panel, 1 port at the rear panel   |  |  |
| <b>Control Panel</b>    |                              | Backlight 3.2" touch screen LCD<br>1 Power on/off button with green color LED backlight<br>1 Control key : FEED / PAUSE / CANCEL with dual color LED backlight: Ready (Green); Error (Red)<br>1 Calibration button at rear panel  |  |  |
| <b>Real Time Clock</b>  |                              | Standard  |  |  |
| <b>Power</b>            |                              | Switching power 100-240VAC, 50-60Hz input   |  |  |
| <b>Environment</b>      | <b>Operation temperature</b> | 41°F to 104°F (5°C to 40°C)   |  |  |
|                         | <b>Storage temperature</b>   | -4°F to 140°F (-20°C to 60°C)   |  |  |
| <b>Humidity</b>         | <b>Operation</b>             | 20-85%, non-condensing  |  |  |
|                         | <b>Storage</b>               | 10-90%, non-condensing  |  |  |
| <b>Agency Approvals</b> |                              | CE (EMC) · FCC Class A · CB · UL · cUL · CCC · KC   |  |  |
| <b>Dimension</b>        | <b>Length</b>                | 18.30" (465 mm)   |  |  |
|                         | <b>Height</b>                | 12.13" (308.20 mm)  |  |  |
|                         | <b>Width</b>                 | 10.65" (270.71 mm)  |  |  |
| <b>Weight</b>           |                              | 30 lbs (13.6 Kg), excluding consumables   |  |  |
| <b>Options</b>          |                              | Cutter<br>Parallel port adaptor module (Centronic female 36-pin)<br>Bluetooth<br>WiFi print server module (IEEE 802.11b/g/n)<br>Applicator Interface (DSUB female 15-pin)<br>External label rewinder<br>Label Dispenser + Internal Rewinder   |  |  |

USER MANUAL  
**APPENDIX**  
PRODUCT SPECIFICATIONS

| Model Name             | ZX1200Xi   | ZX1300Xi   |
|------------------------|--|--|
| Print Method           | Thermal Transfer / Direct Thermal  |  |
| Resolution             | 203 dpi (8 dots/mm)  | 300 dpi (12 dots/mm)   |
| Print Speed            | Up to 14 IPS (356mm/s)   | Up to 10 IPS (254 mm/s)  |
| Print Width            | 4.09" (104 mm)   | 4.09" (104 mm) Up to (105.7mm)   |
| Print Length           | Min. 0.16" (4 mm)** – Max. 180" (4572 mm)  | Min. 0.16" (4 mm)** – Max. 85" (2159 mm)   |
| Processor              | 32-bit RISC CPU  |  |
| <b>Memory</b>          | 128 MB Flash (60 MB for user storage)  |  |
| <b>Flash SDRAM</b>     | 32 MB  |  |
| Sensor Type            | Adjustable reflective sensor and transmissive sensor, left aligned   |  |
| <b>Type</b>            | Continuous form, gap labels, black mark sensing, and punched hole; label length set by auto sensing or programming   |  |
| <b>Media</b>           | <b>Width</b>   | Tear : Min. 1" (25.4 mm) – Max. 4.65" (118 mm)<br>Cutter : Max. 4.61" (117 mm)<br>Dispenser / Rewind : Max. 4.64" (118 mm)   |
|                        | <b>Thickness</b>   | Min. 0.003" (0.076 mm) – Max. 0.01" (0.25 mm)  |
|                        | <b>Label roll diameter</b>   | Max. 8" (203.2 mm)   |
|                        | <b>Core diameter</b>   | Min. 1.5" (38.1 mm) – Max. 3" (76.2 mm)  |
| <b>Ribbon</b>          | <b>Types</b>   | Wax, wax/resin, resin  |
|                        | <b>Length</b>  | Max. 1476.38' (450 m)  |
|                        | <b>Width</b>   | Min. 1.18" (30 mm) – Max. 4.33" (110 mm)   |
|                        | <b>Ribbon roll diameter</b>  | 3" (76.2 mm)   |
| Printer Language       | <b>Core diameter</b>   | 1" (25.4 mm)   |
|                        | <b>Label design software</b>   | EZPL, GEPL, GZPL auto switch<br>GoLabel (for EZPL only)  |
| <b>Software</b>        | <b>Driver</b>  | Windows 2000, XP, Vista, Windows 7, 8.1 and 10 , Windows Server 2003 & 2008 、 MAC  |
|                        | <b>DLL</b>   | Win CE, .NET, Android, Windows Mobile, Windows 2000 / XP / VISTA / Windows 7 / Windows 8.1<br>6, 8, 10, 12, 14, 18, 24, 30, 16X26 and OCR A & B  |
| <b>Resident Fonts</b>  | <b>Bitmap Fonts</b>  | Bitmap fonts 90°, 180°, 270° rotatable, single characters 90°, 180°, 270° rotatable<br>Bitmap fonts 8 times expandable in horizontal and vertical directions   |
|                        | <b>TTF Fonts</b>   | TTF Fonts (Bold / Italic / Underline ). 0°,90°, 180°, 270° rotatable   |
| <b>Download Fonts</b>  | <b>Bitmap Fonts</b>  | 90°, 180°, 270° rotatable, single characters 90°, 180°, 270° rotatable   |
|                        | <b>Asian Fonts</b>   | 16x16, 24x24. Traditional Chinese (BIG-5), Simplified Chinese(GB2312), Japanese (S-JIS), Korean (KS-X1001)<br>90°, 180°, 270° rotatable and 8 times expandable in horizontal and vertical directions   |
| <b>Barcodes</b>        | <b>TTF Fonts</b>   | TTF Fonts (Bold / Italic / Underline ). 0°,90°, 180°, 270° rotatable   |
|                        | <b>1-D Bar Codes</b>   | China Postal Code, Codabar, Code 11, Code 32,Code 39, Code 93, Code 128 (subset A, B, C), EAN-8/EAN-13 (with 2 & 5 digits extension), EAN 128, FIM, German Post Code, GS1 DataBar, HIBC, Industrial 2 of 5 , Interleaved 2-of-5 (12 of 5), Interleaved 2-of-5 with Shipping Bearer Bars, ISBT-128, IIF 14, Japanese Postnet, Logmars, MSI, Postnet, Plessey, Planet 11 & 13 digit, RPS 128, Standard 2 of 5, Telepen, Matrix 2 of 5, UPC-A/UPC-E (with 2 or 5 digit extension), UCC/EAN-128 K-Mart and Random Weight |
|                        | <b>2-D Bar Codes</b>   | Aztec code, Code 49,Codablock F , Datamatrix code, MaxiCode, Micro PDF417, Micro QR code, PDF417,QR code, TLC 39, GS1 Composite  |
| Code Pages             | Codepage 437, 737, 850, 851, 852, 855, 857, 860, 861, 862, 863, 865, 866, 869<br>Windows 1250, 1251, 1252, 1253, 1254, 1255, 1257<br>Unicode UTF8 、 UTF16BE 、 UTF16LE  |  |
| Graphics               | Resident graphic file types are BMP and PCX, other graphic formats are downloadable from the software  |  |
| Interfaces             | <ul style="list-style-type: none"> <li>• USB 2.0 (B-Type)</li> <li>• Serial port: RS-232 (DB-9)</li> <li>• IEEE 802.3 10/100 Base-Tx Ethernet port (RJ-45)</li> <li>• 3 USB Host (A-Type), 2 ports at the front panel, 1 port at the rear panel</li> <li>• Backlight 3.2" touch screen LCD</li> <li>• 1 Power on/standby button with green color LED backlight</li> <li>• 1 Control key : FEED / PAUSE / CANCEL with dual color LED backlight: Ready (Green); Error (Red)</li> <li>• 1 Calibration button at rear panel</li> </ul> |  |
| Control Panel          |  |  |
| <b>Real Time Clock</b> | Standard   |  |
| Power                  | Auto Switching 100-240V AC, 50-60Hz  |  |
| Environment            | <b>Operation temperature</b>   | 41°F to 104°F (5°C to 40°C)  |
|                        | <b>Storage temperature</b>   | -4°F to 140°F (-20°C to 60°C)  |
| Humidity               | <b>Operation</b>   | 20-85%, non-condensing   |
|                        | <b>Storage</b>   | 10-90%, non-condensing   |
| Agency Approvals       | CE (EMC) 、 FCC Class B 、 CB 、 UL 、 cUL   |  |
| <b>Dimension</b>       | <b>Length</b>  | 18.30" (465 mm)  |
|                        | <b>Height</b>  | 12.28" (312 mm)  |
|                        | <b>Width</b>   | 10.59" (269 mm)  |
| Weight                 | 30 lbs (13.6 Kg), excluding consumables  |  |
| <b>Options</b>         | Cutter   |  |
|                        | Parallel port adaptor module (Centronic female 36-pin)   |  |
|                        | Bluetooth  |  |
|                        | Wireless LAN (IEEE 802.11 b/g/n)   |  |
|                        | Applicator Interface (DSUB female 15-pin)  |  |
|                        | External label rewinder  |  |
|                        | Label Dispenser + Internal Rewinder  |  |

**Notice**

\* Specifications are subject to change without notice. All company and/or product names are trademarks and/or registered trademarks of their respective owners.

\*\* Minimum print height and maximum print speed specification compliance can be dependent on non variables such as label type, thickness, spacing, liner construction, etc. Godex is pleased to test non minimum print height and maximum print speed capability.

\*\*\* Due to ZX1000i Series WiFi module message communication through LAN port, please make sure WiFi module has been removed when you want to use LAN port.

# APPENDIX

## INTERFACE

- Parallel port

Handshaking : DSTB is sent to the printer, BUSY to the host computer  
 Interface cable : Parallel cable compatible with IBM computers  
 Pinout : See below

| Pin No. | Function       | Transmitter        |
|---------|----------------|--------------------|
| 1       | /Strobe        | Computer / printer |
| 2-9     | Data 0-7       | Computer           |
| 10      | /Acknowledge   | Printer            |
| 11      | Busy           | Printer            |
| 12      | /Paper empty   | Printer            |
| 13      | /Select        | Printer            |
| 14      | /Auto-Linefeed | Computer / printer |
| 15      | N/C            |                    |
| 16      | Signal Gnd     |                    |
| 17      | Chassis Gnd    |                    |
| 18      | +5V, max 500mA |                    |
| 19-30   | Signal Gnd     | Computer           |
| 31      | /Initialize    | Computer / printer |
| 32      | /Error         | Printer            |
| 33      | Signal Ground  |                    |
| 34-35   | N/C            |                    |
| 36      | /Select-in     | Computer / printer |

- Serial Port

Default settings : Baud rate 9600, no parity, 8 data bits, 1 stop bit, XON/XOFF protocol and RTS/CTS

| RS232 Housing(9-pin to 9-pin) |   |                |
|-------------------------------|---|----------------|
| DB9 Socket                    |   | DB9 Plug       |
| -                             | 1 | +5V, max 500mA |
| RXD                           | 2 | TXD            |
| TXD                           | 3 | RXD            |
| DTR                           | 4 | N/C            |
| GND                           | 5 | GND            |
| DSR                           | 6 | RTS            |
| RTS                           | 7 | CTS            |
| CTS                           | 8 | RTS            |
| RI                            | 9 | N/C            |
| Computer                      |   | Printer        |

### Notice

\* The total current to the serial port may not exceed 500mA.



ZX1200i/ZX1300i/ZX1600i  
 USER MANUAL  
**APPENDIX**  
 INTERFACE

- USB Port

Computer Connector : Type A

|          |      |    |    |     |
|----------|------|----|----|-----|
| Pin NO.  | 1    | 2  | 3  | 4   |
| Function | VBUS | D- | D+ | GND |

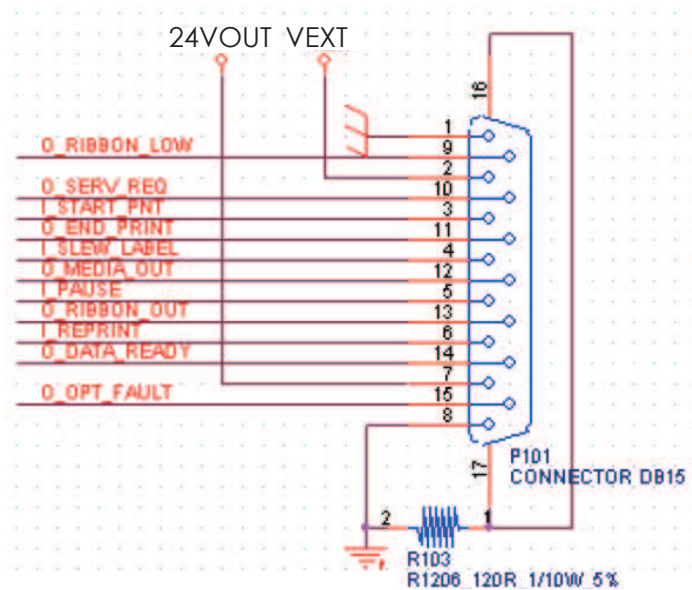
Connector Type : Type B

|          |      |    |    |     |
|----------|------|----|----|-----|
| Pin NO.  | 1    | 2  | 3  | 4   |
| Function | VBUS | D- | D+ | GND |

- Ethernet (RJ-45)

| PIN NO. | FUNCTION |
|---------|----------|
| 1       | T+       |
| 2       | T-       |
| 3       | R+       |
| 4       | N/C      |
| 5       | N/C      |
| 6       | R-       |
| 7       | N/C      |
| 8       | N/C      |

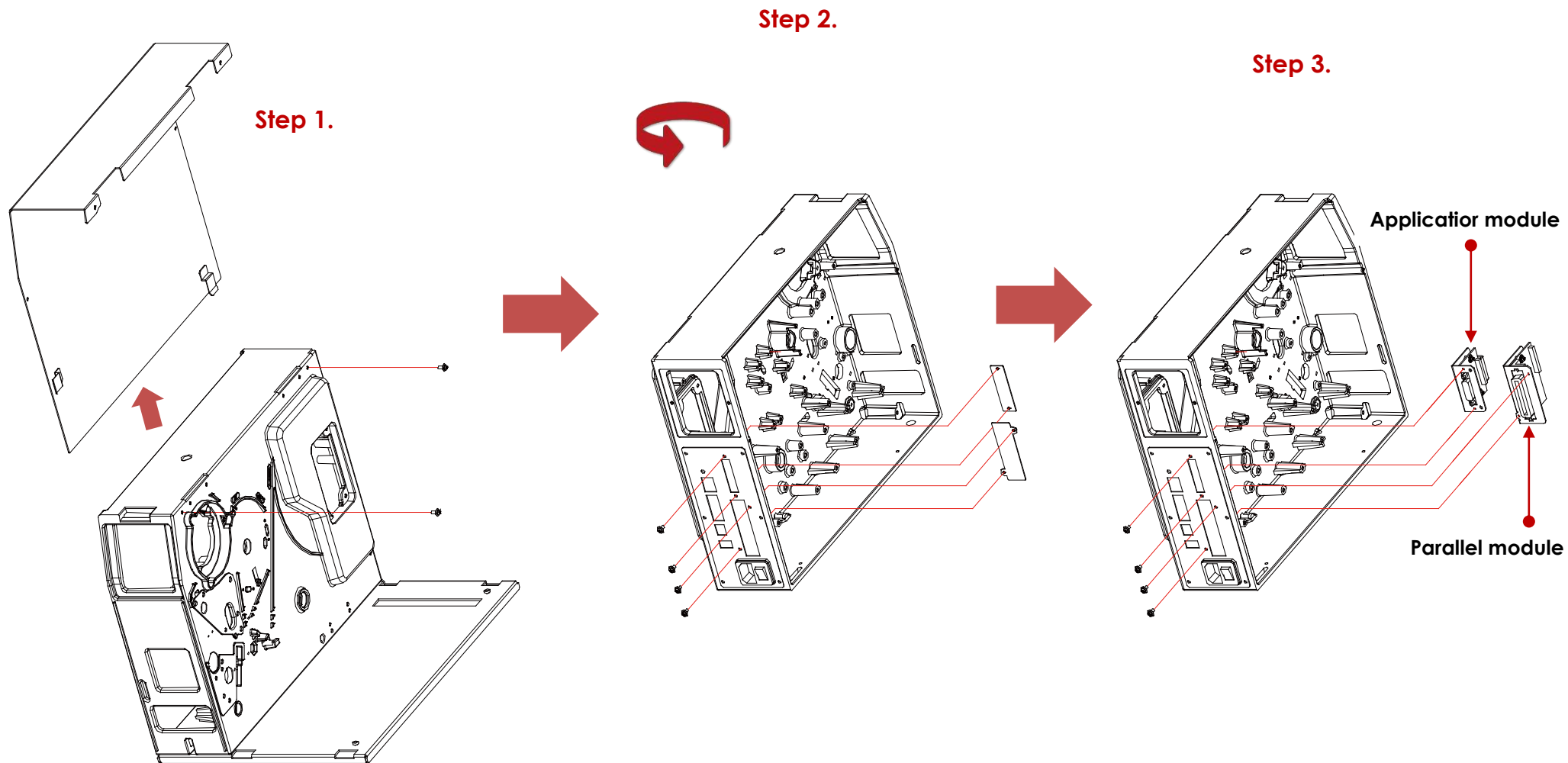
- Applicator





# Parallel module or Applicator module installation diagram

並列傳輸模組或貼標機模組安裝圖示



# Enable LPT Port Function

## 開啟 LPT 埠功能

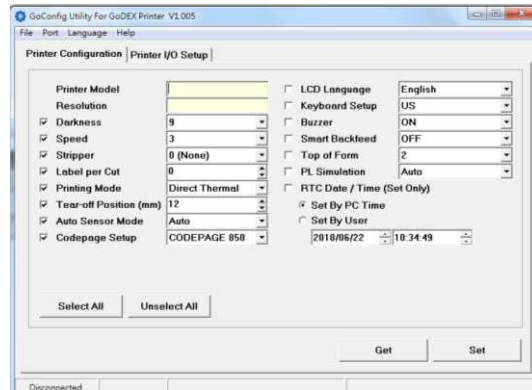
Connecting the printer to the computer, follow the instructions below to enable the LPT function.

將電腦及標籤印製機連接上以後，請依下列指示開啟 LPT 埠功能

### Step 1.

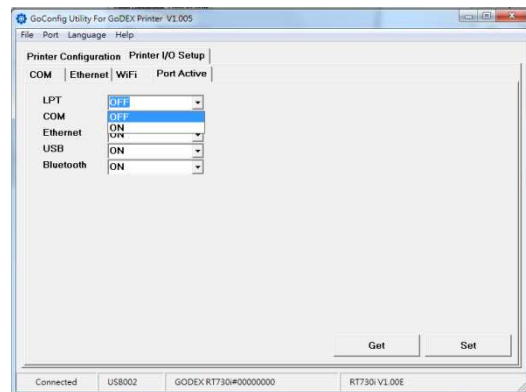
Download GoTool and open Goconfig  
(Please go to the Godex official website to download.)

下載GoTool並開啟Goconfig(請至科誠官網下載)



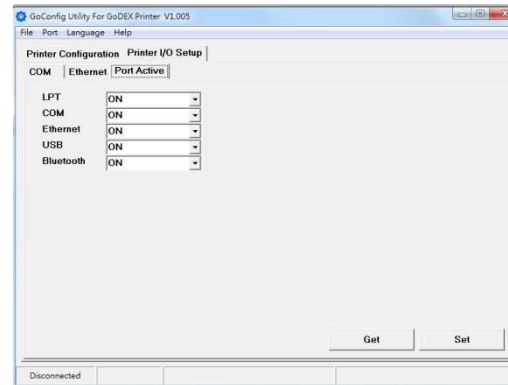
### Step 4.

Choose "ON"  
選擇ON



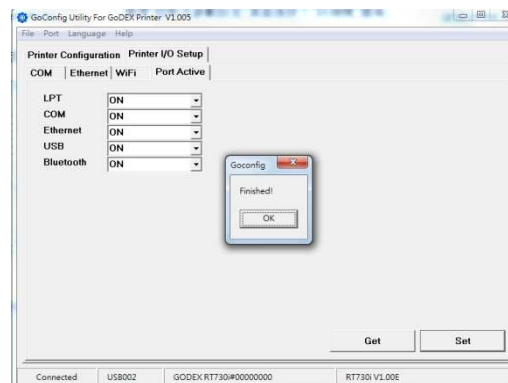
### Step 2.

Click "Printer I/O Setup" than click "Port Active"  
選擇"連線裝置設定"頁面後按下"通訊埠開關"標籤



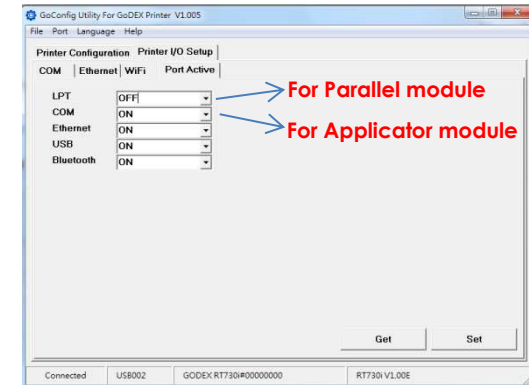
### Step 5.

Press Set to complete setting.  
按下Set即完成設定



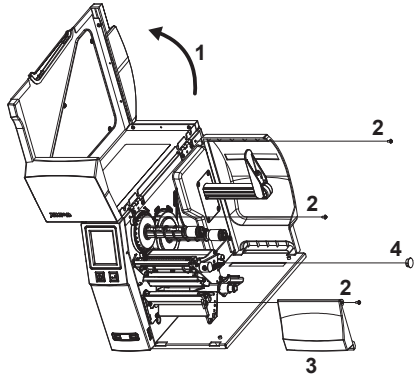
### Step 3.

Click "Printer I/O Setup" than click "Port Active"  
選擇要開啟的項目

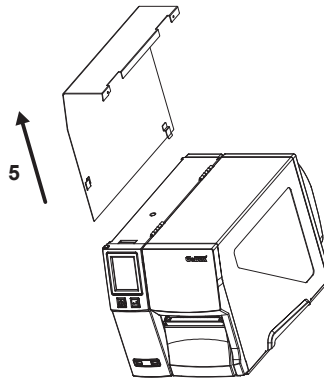


# 剥纸器&背纸回收模组安装说明

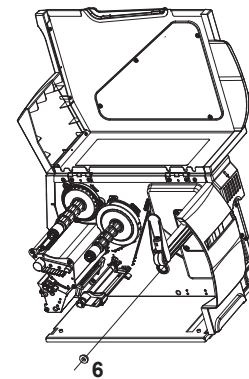
## Label Dispenser & Liner Rewind Module Installation



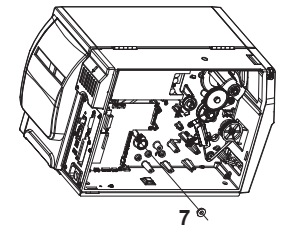
1. 开启右侧上盖  
Open the right side cover
2. 取下最左边与最右边的螺丝  
Remove leftmost and rightmost screws
3. 取下前饰板  
Remove the front cover
4. 取下头塞  
Remove the plug



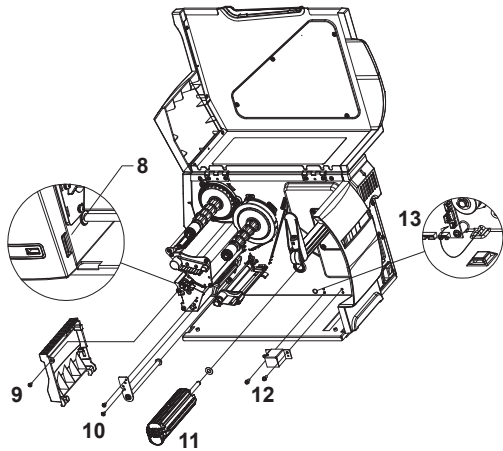
5. 取下左侧上盖  
Remove the left side cover



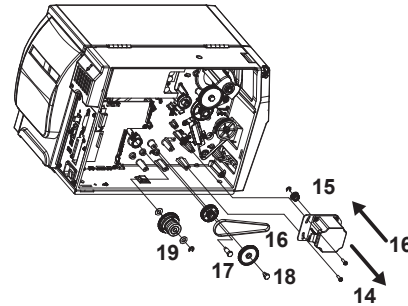
6. 插入轴承  
Insert bearing



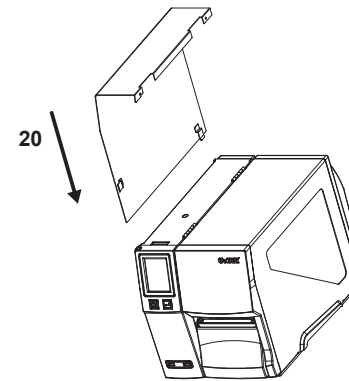
7. 插入轴承  
Insert bearing



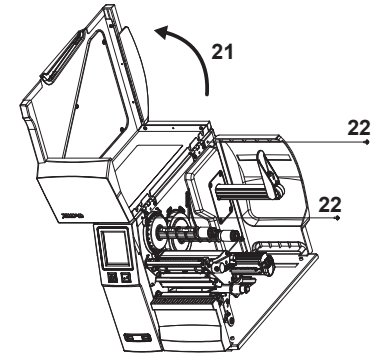
8. 剥纸接头插入连接座  
Plug label dispenser connector into the connection port
9. 安装剥纸盖及螺丝  
Install label dispenser cover and screw
10. 安装滚轴组合  
Install roller combination
11. 安装背纸回收滚轴组合  
Install backing paper recycling roller combination
12. 安装Label Full组合  
Install Label Full sensor
13. Label Full接头插入连接座  
Plug sensor connector into connection port



14. 取下马达组合  
Remove the motor combination
15. 安装22t齿轮及扣环  
Install 22t gear and retaining ring
16. 回装马达组合并拉上皮带  
Install motor combination and pull the belt
17. 安装齿轮组合(齿轮柱上砂油)  
Install gear combination(Gear column add silicone oil)
18. 安装齿轮组合(齿轮柱及齿轮上砂油)  
Install gear combination(Gear column and gear add silicone oil)
19. 安装离合器组合  
Install clutch combination



20. 回装左侧上盖  
Install left side cover

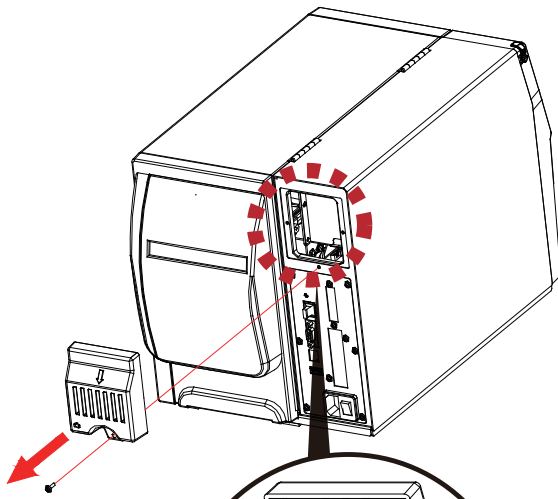


21. 开启右侧上盖  
Open the right side cover
22. 回锁最左边与最右边的螺丝  
Reattach leftmost and rightmost screws

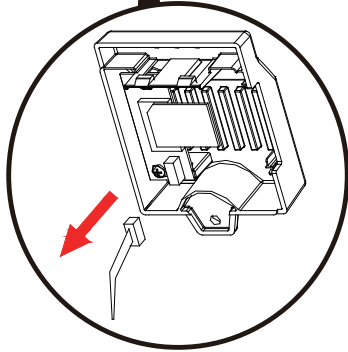
USER MANUAL  
**APPENDIX**  
INTERFACE

---

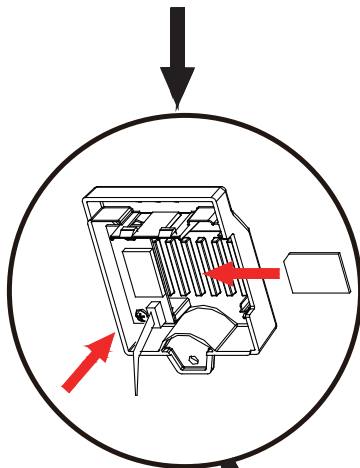
## Bluetooth Module Installation



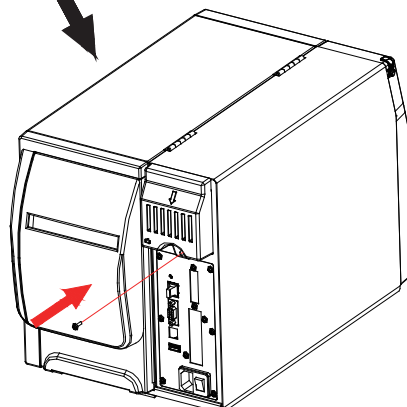
1. Remove the screws
2. Unattach the option cover



3. Unattach the connector



4. Insert Bluetooth Module
5. Plug the connector

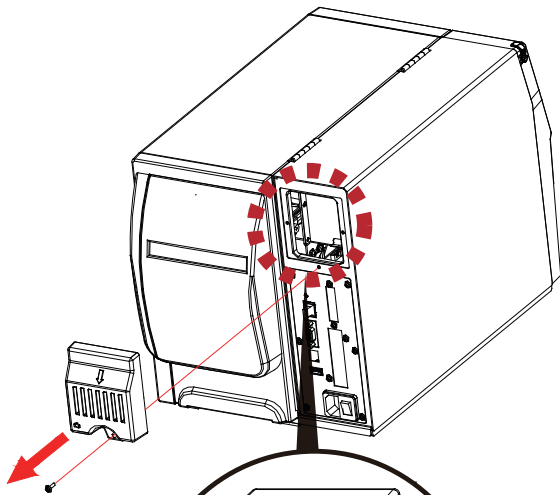


6. Put the option cover back and screw it

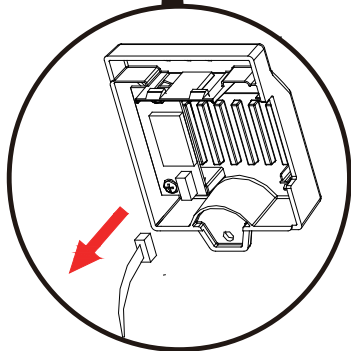
USER MANUAL  
**APPENDIX**  
INTERFACE

---

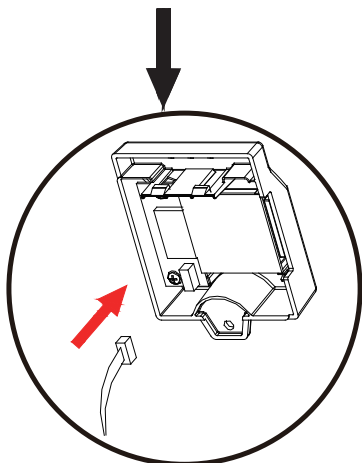
### Wifi Module Installation



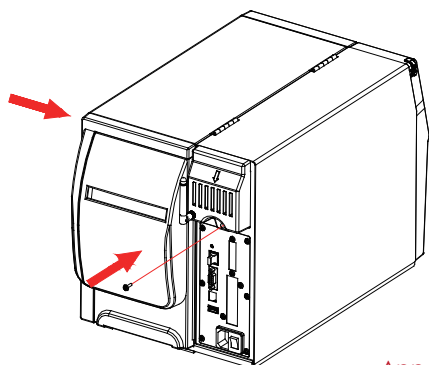
1. Remove the screws
2. Unattach the option cover



3. Unattach the connector



4. Install Wifi Module
5. Plug the connector



6. Put the option cover back and screw it

# Appendix

## Wi-Fi setting

---

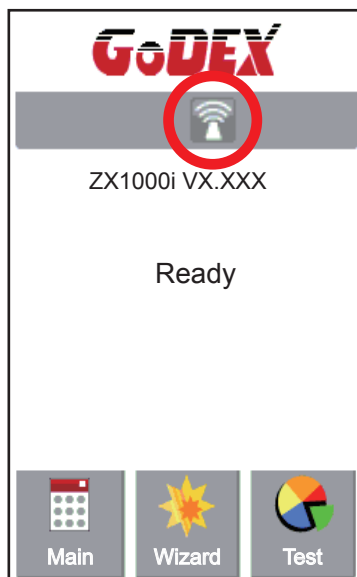
### Steps for setting Wi-Fi module

Step 1. Power off the printer.

Step 2. Install the Wi-Fi module.

Note : Methods for installing Wi-Fi module, please refer to Wi-Fi module installation.

Step 3. Power on the printer and wait 15 seconds. The main manu will display gray Wi-Fi icon and it means that the Wi-Fi module is already detected by the printer, as the figure below indicates.



### Note

---

- \* The firmware version of the printer should be above V.2005, otherwise you can not use Wi-Fi function.
- \*\* GoLabel version should be above V1.12, otherwise you can not use Wi-Fi Tool function.
- \*\*\* When a Wi-Fi module is installed into a printer, the Ethernet of the printer will lose its function.

# Appendix

## Wi-Fi setting

### Steps for setting Access Point ( D-Link)

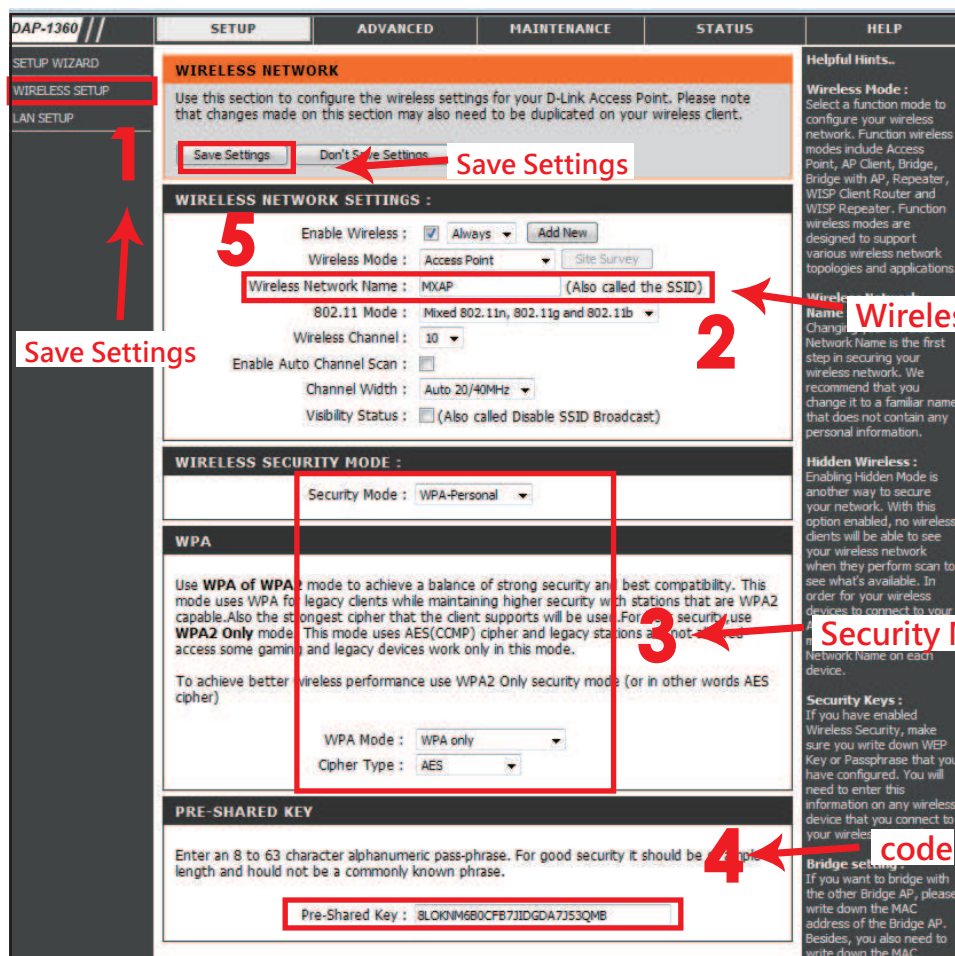
Step 1. Execute browser and log in the setting page of access point.

Step 2. Click "WIRELESS SETUP" on the left side of the setting page (red circle 1) and enter into AP setting page.

For the contents of setting, please refer to the figure below.

Step 3. Click "Save Settings" button after the Wi-Fi AP is completely set.

After approx.20 Seconds, the the setting of AP is stored and takes effect.





# Appendix

## Wi-Fi setting

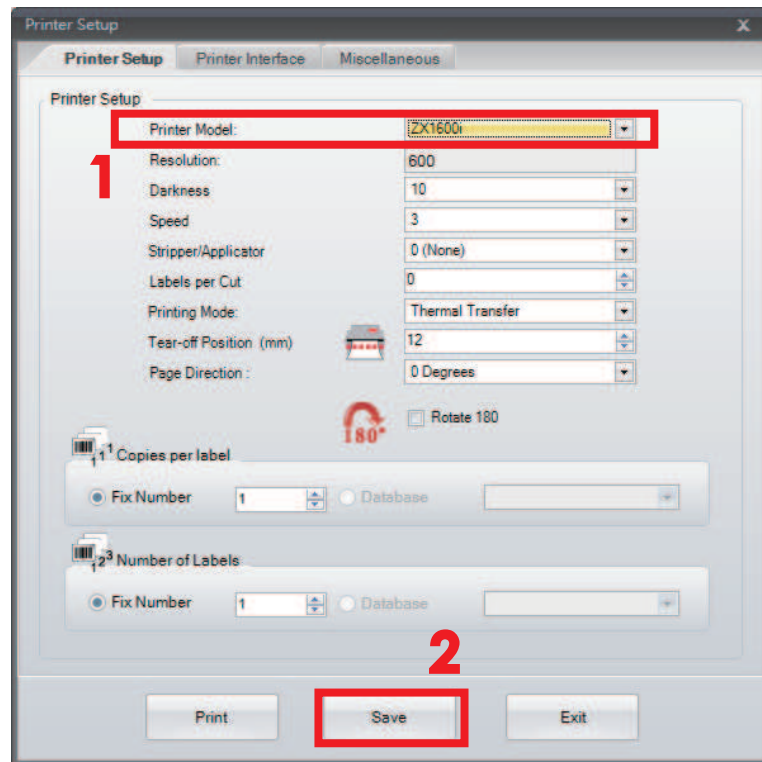
### Methods for setting Wi-Fi module

#### How to execute Wi-Fi Tool

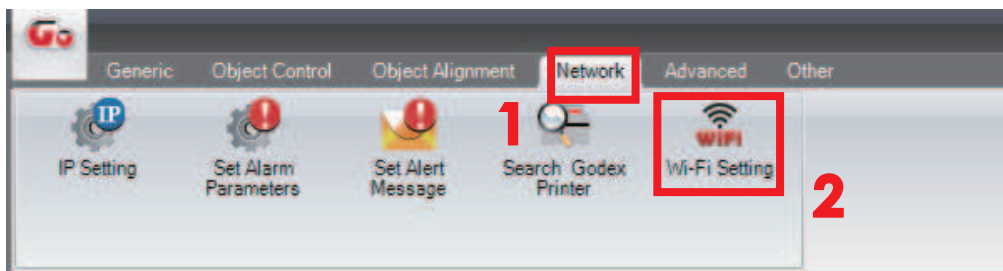
Step 1. Execute GoLabel Version V1.12

Step 2. Select desired ZX1000i printer model, as the figure below indicates.

Step 3. Click "Save" , as the figure below indicates.



Step 4. Execute Wi-Fi Tool, as the figure below indicates.



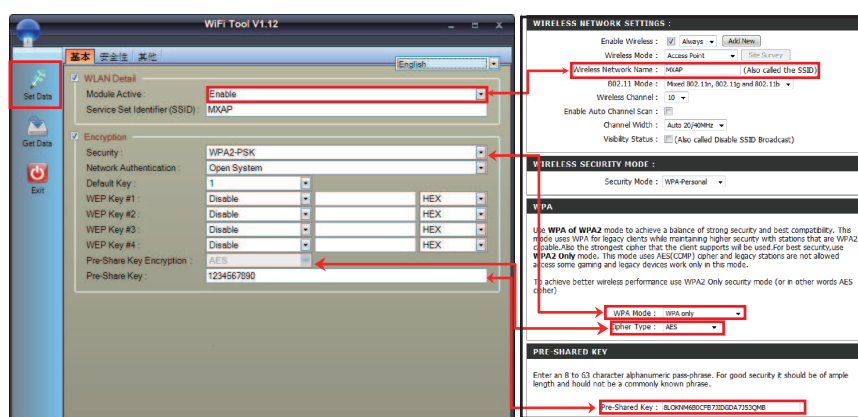


## How to set the corresponding items between Wi-Fi Tool and AP

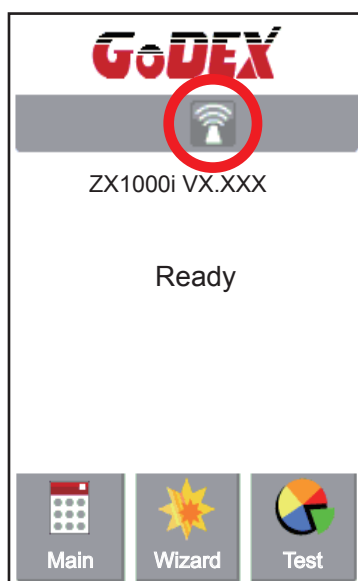
Step 1. Set Wi-Fi parameters, as the figure below indicates.

Step 2. Click "Set Data" button after the parameters are completely set.

Approx. 5 seconds later, the printer will automatically reboot.



Step 3. Approx. 15 seconds, LCD panel will display gray Wi-Fi icon, and it means that the Wi-Fi module is already detected by the printer.



### Note

\* The Setting content of Wi-Fi Tool should be corresponding with the setting of AP.

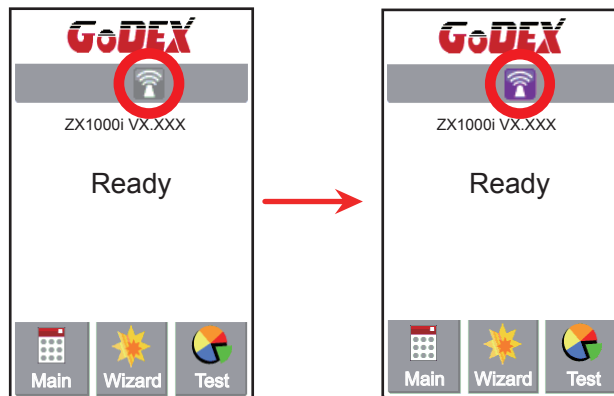
# Appendix

## Wi-Fi setting

### Check whether the Wi-Fi connection is successfully created

After 8~10 seconds, the Wi-Fi icon's will change from gray to purple

and it means that the Wi-Fi connection is successfully created, as the figures below indicate.



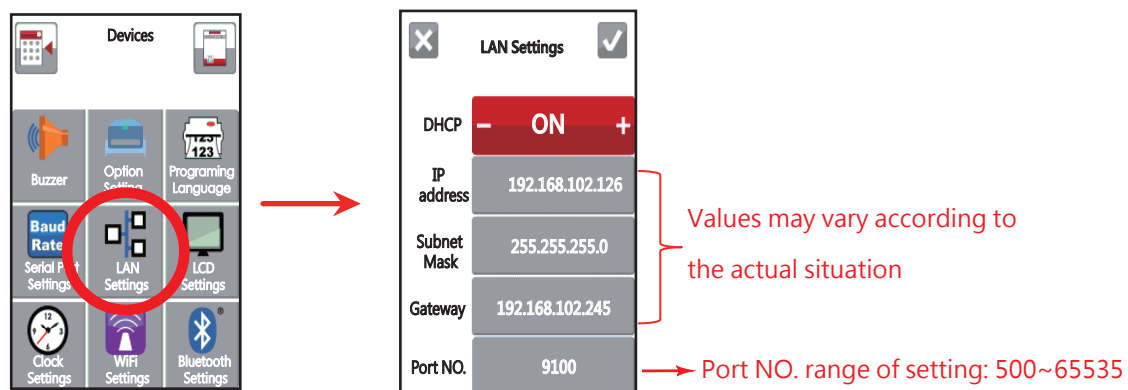
### Check the related information of LAN

Step 1. Select "Main" on the bottom left Corner of LCD panel.

Step 2. Select "Devices"



Step 3. Select "LAN Settings" and the display indicates the related information of LAN



# Appendix

## Wi-Fi setting

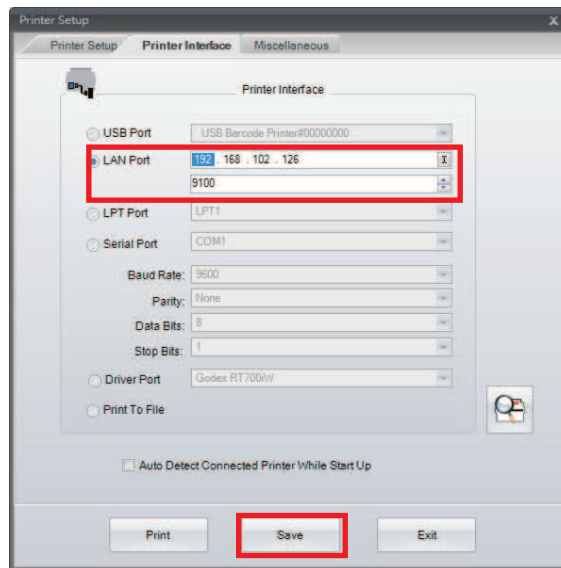
### How to create a connection between computer and printer via Wi-Fi

Step 1. Execute GoLabel Version V1.12

Step 2. Select "Printer Setup"

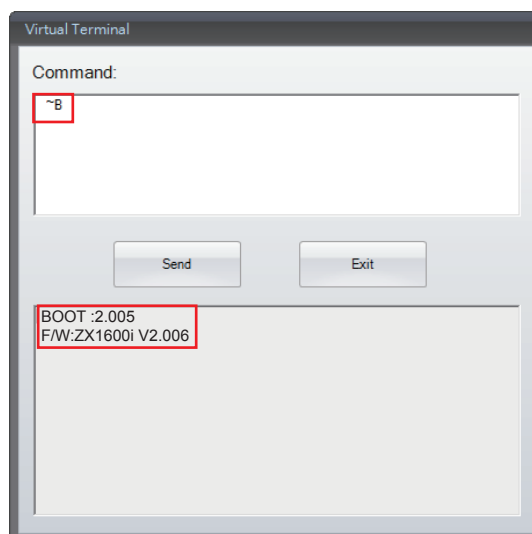
Step 3. Select "Printer Interface" and Click "LAN Port", and enter IP address, as the figure below indicates.

Step 4. Click "Save"

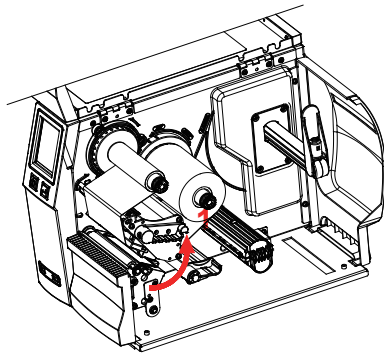


Step 5. Select "Virtual Terminal" and enter "~B" into "Command field", and then click "Send".

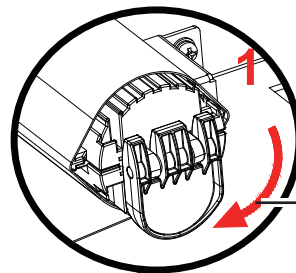
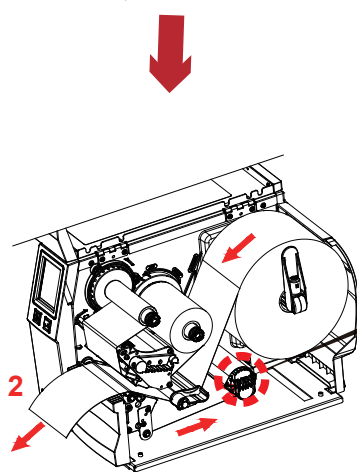
The Wi-Fi connection is working if the printer return related information automatically, as the figure below indicates.



USER MANUAL  
**APPENDIX**  
Liner Rewind Operation

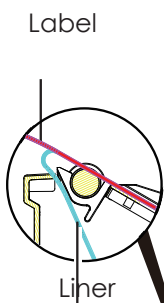


Step 1. Open TPH rotary arm



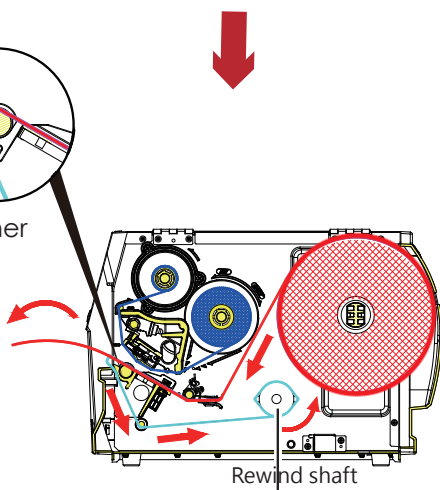
Check whether the rewinder knob is in closed position

Step 2. Install the label roll

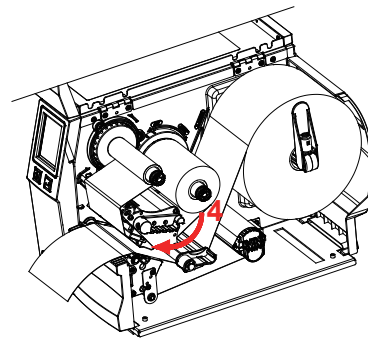


Label

Liner



Step 3. Pull the Liner back to rewinder shaft and rotate it in 2~3 circles



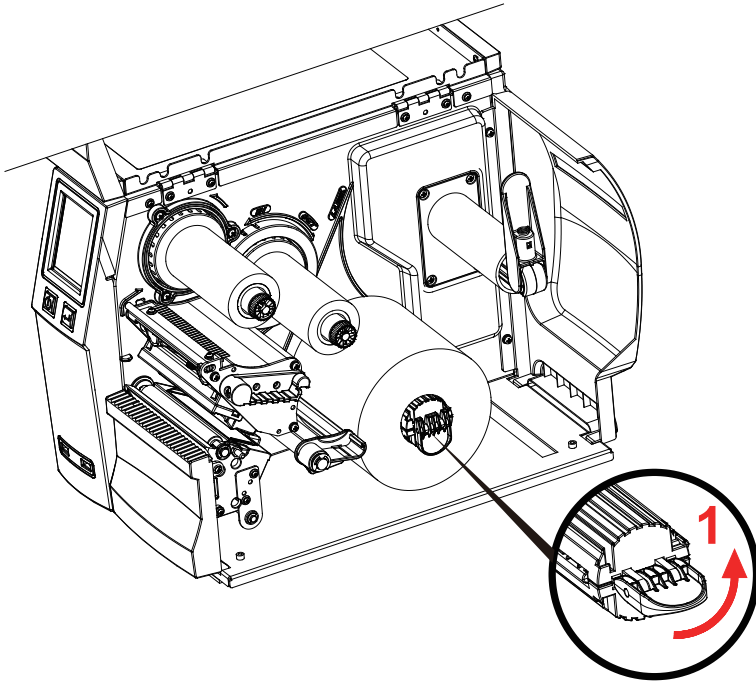
Step 4. Close TPH rotary arm and the printer is ready to print

**Note**

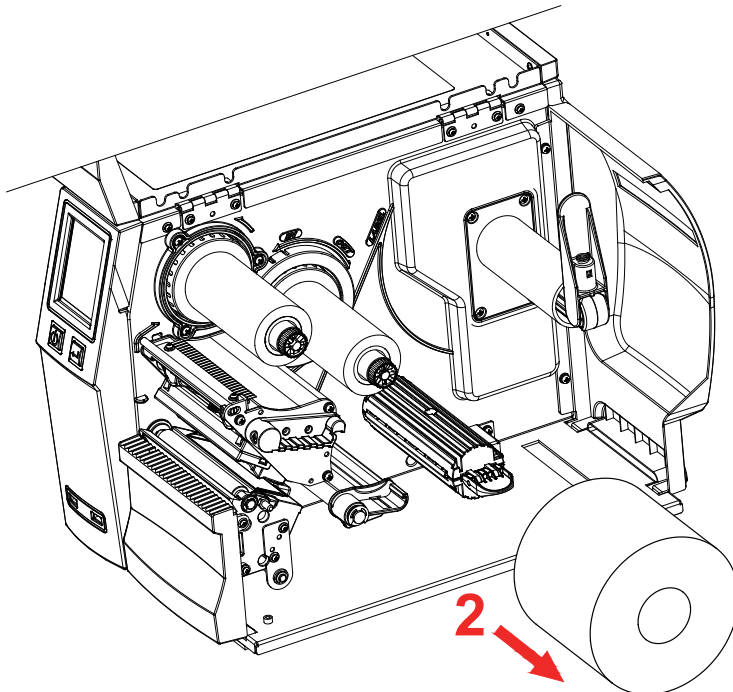
- \* With the rewind installed, set the stop position in GoLabel (E value) and Driver to 6.
- \* Liner rewind can be operated without setting GoLabel and Driver.

USER MANUAL  
**APPENDIX**  
Remove Liner Roll

---



Step 1. Have the rewinder knob to straight position



Step 2. Pull the Liner roll out

**Note**

- \* The rewind is applied to liner only, and do not use it with other printed labels.
- \* If any adhesion is left on the label dispenser cover, Please clean it with soft fabric and denatured alcohol.