



# NOVA N-4070

## Flexible Presentation Counter Scanner

**CHAMPTEK**<sup>®</sup>  
We value your ID's

### Introduction

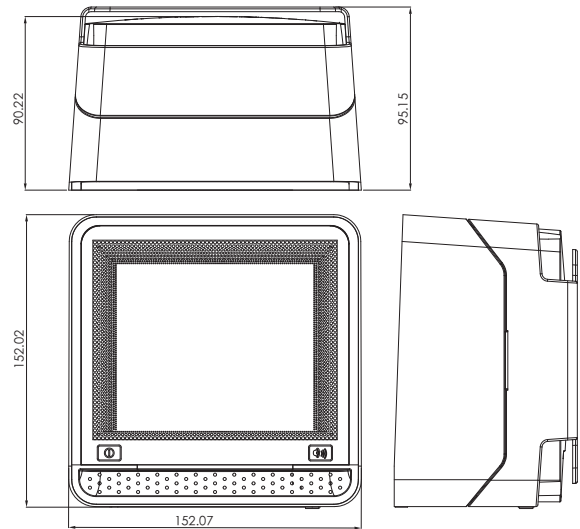
NOVA N-4070 is the continuation of the excellent optical design experience and with a new back-end design, to create an outstanding product performance and reliability. This scanner features high inerrability, flexibility, scanning, and decoding capability. It can deliver with an unequalled 3,000 scans per second scan speed and a unique scan pattern of 5 scan direction in total 30 scan lines, it is ideally suited for supermarkets, pharmacies, petrol stations, and other similar retail stores.

Based on the standard product reliability, the product design concept is fully focused on user's context and mode. It also reduces time and cost. Our solutions provide instant and accurate scanning, making the checkout process more efficient for you and more convenient for your customers.

### Features

- High scan performance with 30 scan lines and 3,000 scans per second scan speed.
- STAR code reconstruction decoding technology allows easy reading of truncated, damaged and substandard bar codes.
- Automatic sleep & wake-up function saves power and improves life time.
- Touch control sensors for volume adjustment.
- Multiple interface solution supports by automatic interface detection.

# NOVA N-4070



## Specifications

### Physical Characteristics

Depth	90.22mm / 3.55inch
Width	152.02mm / 5.99inch
Height	152.07mm / 5.98inch
Weight	630 g ~ 720 g

### Electrical

DC input to scanner	12V DC, 500mA
Power Supply Voltage	6 Watt max @ 12V DC

### Interfaces

RS-232 / USB / Powered-USB / Keyboard Wedge(Optional)

### Optical

Light source	Visible laser diode (650 nm)
Depth of field	up to 250 mm @ EAN 0.33mm/ 13mil PCS 90%
Scan pattern	5 direction scan field, 30 lines scan pattern
Scan rate	3000 scans / second
Light level	Max 7000LUX

Barcode types	Automatically discriminates all standard 1D bar codes include GS1 databar family, Omnidirectional, Stacked Omnidirectional, Expanded, Expanded Stacked, Truncated and Limited.
---------------	--

### Environmental


Operating Temperature	0°C ~ 50°C (32°F ~ 122°F)
Storage Temperature	-20°C ~ 70°C (-4.6°F ~ 158°F)
Humidity	5% ~ 95% RH (non-condensing)

### Safety

Laser Safety	IEC 825-1 Class I, U.S. CDRH: 21CFR1040 Class II a
Electrical Safety	EN 60950 second edition

### EM Compatibility

Radio and TV Interference	EN 55024/22, FCC Part 15 class B, CNS 13438
---------------------------	---

CE, FCC and RoHS compliant 

Due to Champtek's / Scantech ID's continuing product improvement programs, specifications and features are subject to change without notice.