

MICROTEK

Document Imaging
Scanner

ArtixScan*DI* 5240

ArtixScan*DI* 5250

ArtixScan*DI* 5260

User's Manual



Preface

Copyright

Copyright © 2016, Microtek International, Inc., all rights reserved. This document may not be reproduced or copied in any way, stored electronically, or translated into any language, without the permission of Microtek International, Inc.

Trademarks

Microtek, ScanMaker, ArtixScan, ScanWizard and ColoRescue are trademarks or registered trademarks of Microtek International, Inc. All other trademarks or registered trademarks are the property of their respective holders. Specifications, software and hardware bundles are subject to change without notice. Not responsible for typographical errors.

Disclaimer

The contents of this manual have been checked carefully for accuracy, and every effort has been made to ensure that there are no errors. However, Microtek makes no guarantee as to the accuracy of the contents of this document and reserves the right to make changes to the contents without prior warning.

I49-005047, B
June 2016

Microtek International, Inc.
No. 6, Industry East Road 3, Science Based Industrial Park, Hsinchu, 30075, Taiwan
Tel: 886-3-5772155, Fax: 886-3-5772598, <http://www.microtek.com>

FCC Compliance Statement

This equipment (Model: MRS-600A4LADF) has been tested and found to comply with the limits for a Class B digital device, pursuant to Part 15 of the FCC rules. These limits are designed to provide reasonable protection against harmful interference in a residential installation. This equipment generates, uses and can radiate radio frequency energy and, if not installed and used in accordance with the instructions, may cause harmful interference to radio communications. However, there is no guarantee that interference will not occur in a particular installation. If this equipment does cause harmful interference to radio or television reception, which can be determined by turning the equipment off and on, the user is encouraged to try to correct the interference by one or more of the following measures:

- Reorient or relocate the receiving antenna.
- Increase the separation between the equipment and receiver.
- Connect the equipment into an outlet on a circuit different from that to which the receiver is connected.
- Consult the dealer or an experienced radio/TV technician for help.

NOTE: A shielded Hi-Speed USB interface cable with ferrite core installed on the scanner connector end must be used with this equipment.

Caution: Changes or modifications not expressly approved by the manufacturer responsible for compliance could void the user's authority to operate the equipment.

This device complies with Part 15 of the FCC Rules. Operation is subject to the following two conditions: (1) This device may not cause harmful interference, and (2) this device must accept any interference received, including interference that may cause undesired operation.

Safety Precautions

Before using your scanner, read the following safety guides carefully, which detail the proper operation of the scanner and its accessories to prevent injuries or damage to users or equipment.

Power Source and AC Power Cord:

- Use a power source only with a power rating specified on the marking label.
- Insert the plug completely into the outlet, as a loose connection may cause arcing and result in fire.
- Place and route the power supply cord such that it is not likely to be walked on or pinched by items placed upon or against them, paying particular attention to the cord near the power plugs, convenience receptacles, and at the point where it exits from the outlet.
- When the scanner is left unattended and unused for long periods of time, unplug it from the wall outlet.

Moving and Storing the Scanner:

- Do not place the scanner on any slippery, slanted, or unstable surface. The product may slide or fall, causing serious injury to people as well as serious damage to the product.
- Do not use this scanner near water. Never spill liquid of any kinds on the product, or it may result in electric shock or other hazards.
- This scanner should be situated away from heat sources such as radiators, heat registers, stoves, or other products (including amplifiers) that produce heat.

Service:

- When you need a repair service, unplug the scanner from the power outlet and consult qualified service personnel.
- When replacement parts are required, use replacement parts that are specified by the manufacturer or have the same characteristics as the original parts.

Table of Contents

Preface	2
FCC Compliance Statement	3
Safety Precautions	4
Knowing about Your Scanner	7
Features of Your Scanner	7
Installation Requirements	9
Taking a Closer Look	10
Front/Top View	10
Open View	11
Back View.....	12
Initial Setup	13
Step 1: Unpacking Package Contents	13
Step 2: Installing the Software.....	14
Step 3: Unlocking the Scanner.....	15
Step 4: Installing the Document Feed Tray	16
Closing the Document Feed Tray.....	17
Step 5: Connecting the Scanner.....	18
To the Power Adapter	18
To the Hi-Speed USB Cable	19
Positioning Documents	20
Into the ADF (Automatic Document Feeder).....	20
Using the Paper Stoppers	22
Document Notices.....	23
On the Flatbed.....	24
Scanning Scenarios	25
Using ScanWizard DI	25
Scanning Documents	25
Scanning Documents with Barcodes	29
Scanning a Book	31
Scanning Documents Automatically.....	34
Scanning Documents from an Application	36

Utilizing Scanned Documents	37
Scanning for OCR	37
Scanning for E-mail	39
Scanning for Copying	40
Scanning to Cloud.....	41
Scanning as Text-to-Speech (TTS)	42
Scanner Buttons	44
Starting up the Scanner Button Settings Interface	45
Customizing the Scanner Buttons.....	46
How the Scanner Button Works	47
Care and Cleaning	48
Cleaning the Scanner Glass Surfaces	48
Cleaning the Rollers and the Separation Module Assembly.....	50
Cleaning the Sensors	51
Maintenance	52
Replacing the Separation Module Assembly	52
Replacing the Feed Roller Assembly.....	54
Appendix	57
Fixing Paper Jams	57
Troubleshooting	58
Specifications of ArtixScan DI 5240	60
Specifications of ArtixScan DI 5250	61
Specifications of ArtixScan DI 5260	62

Knowing about Your Scanner

The scanner (ArtixScan DI 5240/5250/5260) is a flatbed document scanner with built-in Automatic Document Feeder (ADF) that can hold up to 75 sheets of papers for the unattended volume scanning. It features optical resolution of 1200-dpi (flatbed)/600-dpi (ADF), duplex (double-sided) scanning, and a Hi-Speed USB interface for the fast and plug-and-play connectivity ability. As well, its ADF can handle extra-long page documents.

Features of Your Scanner

The scanner comes with several important features, including the following:

- Two-way design capable of fast duplex and fragile flat scanning— The scanner has a two-way design that's capable of fast one-pass duplex batch and easy flatbed scanning, both in a single unit.
- Ultrasonic Double-feed Detection — Equipped with an ultrasonic detector, the scanner is able to detect the thickness between overlapping pages and to prevent multiple pages from being fed together, efficiently preventing the happens of mis-feed or double-feed when delivering papers through the feeder.
- Energy-saving LED light source — Adopting LEDs as the light source, when the scanner is detected by the system, there are no requirements for any warm-up time before carrying out the scan, which boots your productivity and reduces energy costs amazingly. With its stable performance, the image quality will remain consistent even after used for a certain period of time.
- Chic and Easy-to-access programmable function button — The scanner is equipped with one Select, One Scan/Stop and one Favorite buttons located on the top of the scanner, used to automate a number of customized and predefined operations, allowing you an intuitive and easy way to access scanner functions.
- Duplex scanning support — Allows to scan both sides of a document in a single pass. With this feature, the scanner can handle up to 120 ipm (ArtixScan DI 5260), 100 ipm (ArtixScan DI 5250) or 80 ipm (ArtixScan DI 5240) in color, grayscale and black & white at 200 dpi.
- Automatic Document Feeder (ADF) — The high-capacity ADF can hold up to 75 sheets of papers at a time, supporting paper sizes range from 3.149" x 3.149" (80 mm x 80 mm) to 8.5" x 65" (216 mm x 1651 mm).

- New and Advanced Microtek ScanWizard DI software — ScanWizard DI offers a host of features and image adjustment controls for scanning. Its distinctive features include:
 - Book scan — With this feature, ScanWizard DI automatically arrange scanned pages in order and thus you can easily scan a physical book into a digital book in just simple steps.
 - Text Orientation Recognition — With this feature, ScanWizard DI enables every scanned and saved files present in a readable direction based on a specific OCR language selected. No more fuzzy editing software is needed.
 - Paper Type — This feature allows you to specify the thickness of paper in use, preventing the happening of paper jams while documents are fed through the ADF.
 - Smart Threshold — This feature enables the software to specify the best level for a threshold used in high-contrast and black-and-white images automatically, improving the clearance and readability of black-and-white documents.
 - Combine Images — This feature enables the software to merge two separate images as one united image. With this function, you do not need other after-scan editing program to modify your scanned documents.
 - Remove Blank Page — With this feature, blank pages are automatically detected and removed by the software when scanning a stack of documents. This function is quite helpful especially when users are scanning double-sided documents and some of the pages only have text on the front side.
 - Remove Punch Hole — With this feature, the software automatically detects the location of the punch holes on the scanned documents and fills them in white. This function works for most common hole puncher standards.
 - Save multiple images as a single file : This advanced feature allows user to save multiple scanned images as a single file, depending on the number of the scanned images that are defined for document archival.
 - Auto-crop and auto-deskew : The auto-crop function automatically detects the size of the original image, crops the full scan frame to fit the image, and removes unwanted black borders. The auto-deskew function automatically corrects distorted images for proper alignment.
 - Color dropout : Red, green and blue colors can be dropped out to allow for clearer and more accurate forms processing with problematic color documents number of the scanned images that are defined for document archival.

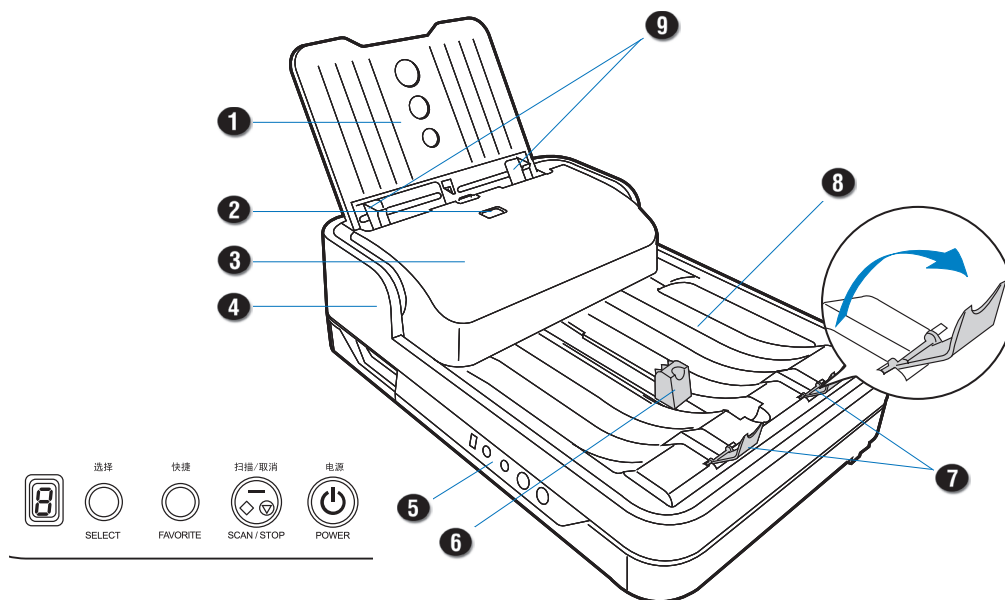
Installation Requirements

In order to use your scanner, your computer must satisfy the following system requirements:

- CD-ROM/DVD-ROM drive (for installing software)
- Color display with 24-bit color output capability
- 1 GB RAM or more (2 GB is recommended)
- Intel Core2 Duo Processor at 2.1 GHz PC or higher with a SATA2/SATA3 at 7200 rpm HDD or SSD (recommended); Intel-Based Mac computer with built-in USB port
- Windows XP, 7, 8 or 10; Mac OS X 10.6 or later

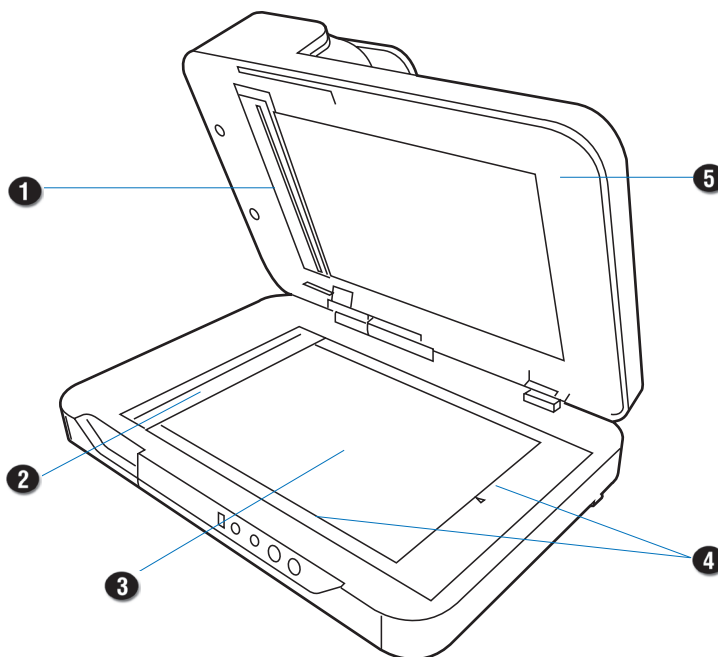
Taking a Closer Look

Front/Top View



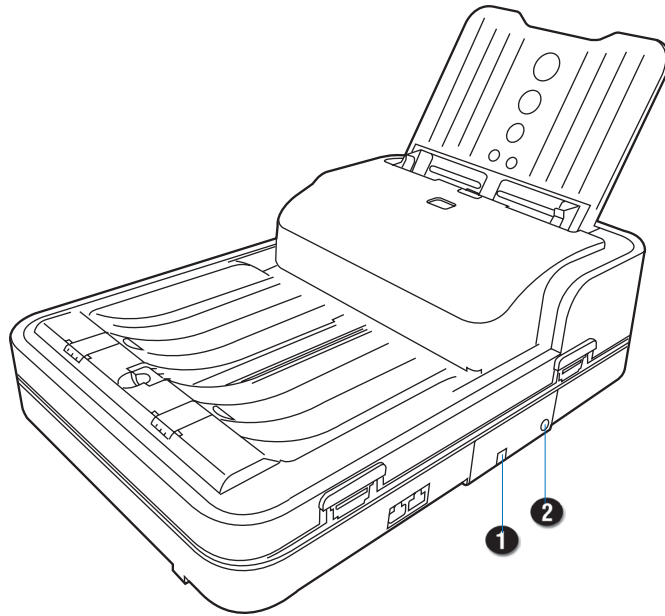
No.	Names of Parts	Functions of Parts
1	Document Feed Tray	Holds the high-volume documents to be fed.
2	Release Button	Opens the ADF cover.
3	ADF Cover	Used to cover the inner parts of the ADF.
4	ADF (Scanner lid)	Used to scan a stack of document and cover the glass surfaces of the flatbed.
5	Button Panel <ul style="list-style-type: none"> • Power Button • Select Button • Scan/Stop Button • Favorite Button • LED Display 	<p>Turns the scanner on or off.</p> <p>Toggles through the numbers of predefined function buttons.</p> <p>Starts scan immediately or cancel a ongoing scan job.</p> <p>Activates the function associated with the Favorite button that was defined in the "Save Settings to Function Button" dialog box.</p> <p>Displays the selected function button number.</p>
6	Paper Stopper (A)	Stops a stack of the output documents. It is designed to work with the documents smaller than A4.
7	Paper Stoppers (B)	Stops a stack of the output documents. It is designed to work with the documents in A4 or Letter size.
8	Document Output Tray	Stores the stacked documents which have been scanned.
9	Guide Arms	Slides to hold a stack of documents.

Open View



No.	Names of Parts	Functions of Parts
1	ADF Glass Surface	Calibration and scan area for ADF scanning, which should be kept clear and free of obstruction at all times.
2	Glass Surface (A)	Calibration and scan area for ADF scanning, which should be kept clear and free of obstruction at all times.
3	Glass Surface (B)	Flatbed scan area for placing the single-sheet document.
4	Rulers	Used to measure the width and length of a scanned document.
5	ADF (Scanner lid)	Used to scan a stack of document and cover the glass surfaces of the flatbed.

Back View



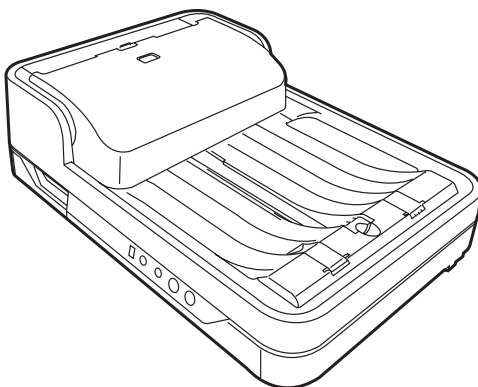
No.	Names of Parts	Functions of Parts
1	Hi-Speed USB Port	Connects the Hi-Speed USB (USB 2.0) cable to the computer.
2	Power Connector	Connects the scanner to the power adapter.

Initial Setup

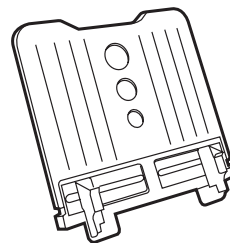
After unpacking your scanner package, follow the steps in order for a quick and easy installation process.

Step 1: Unpacking Package Contents

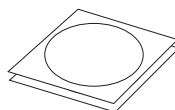
After unpacking your scanner package, please check for the major components listed below.



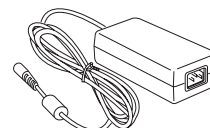
Scanner



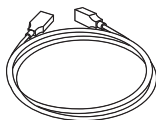
Document Input Tray



Software CDs/DVDs



Power Adapter



Hi-Speed USB Cable



Power Cord

Step 2: Installing the Software

Important: Always close any open programs and turn off Anti-virus utilities before installing software.

PC:

1. Turn on your computer.
2. Place the Microtek Software CD/DVD into a drive.
3. Follow the on-screen instructions to install the driver and software.

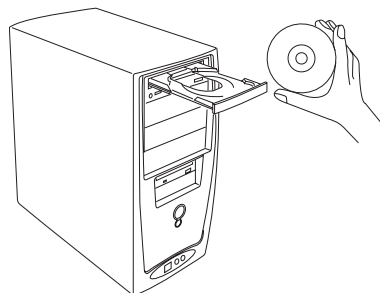
NOTE: If the Microtek Software Installer screen does not come up automatically, double-click the following in succession: "My Computer"; the CD-ROM (or DVD-ROM) icon; then cdsetup.exe to start the installer program.

4. Click *EXIT* on the Microtek Software Installer screen when all the software has been installed.
5. Restart your computer.

MAC:

1. Turn on your computer.
2. Place the Microtek Software CD/DVD into a drive, and double-click the *ScanPotter* installer icon to install ScanPotter.
3. Install the remaining software components, then restart your computer at the end of all software installation.

NOTE: After rebooting your Macintosh, the Microtek software will attempt to locate your scanner on the system. Since this is your first install and you have not yet connected the scanner, simply ignore the message that appears and proceed to the next step.



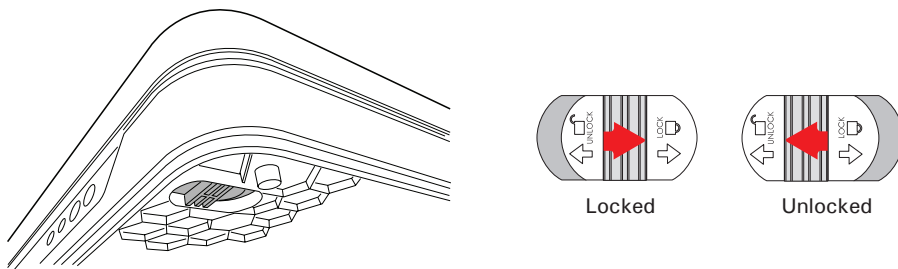
Drivers & Software Upgrades

After you finish the installation of software, if you found that the installed drivers and software cannot run your product or your computer system properly later, please go to the Microtek Download Service site at ww7.microtek.com.tw/service.php to download and install any updates you may require.

For additional information about Microtek products, please visit our website at www.microtek.com.

Step 3: Unlocking the Scanner

1. Remove the yellow "Unlock Scanner" sticker from your scanner.
2. With the scanner power off, tilt the front right corner of the scanner to see the locking switch at the bottom.
3. Push the locking switch to the position as indicated in the graph, with the icon on the lock showing as "Unlocked".

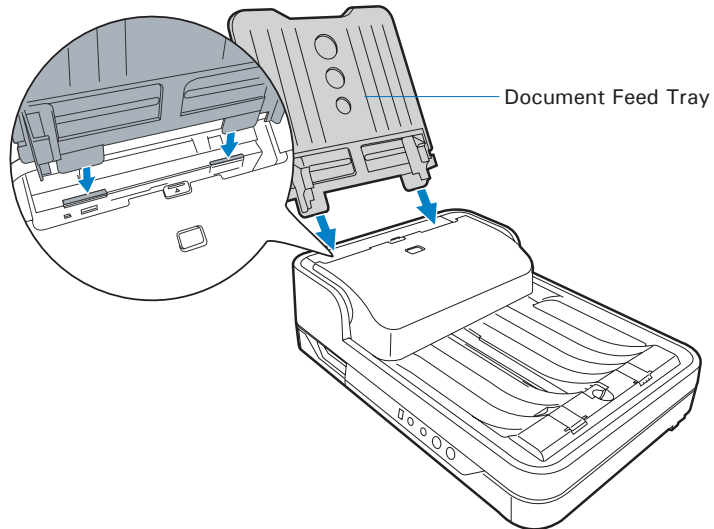


NOTE: To lock the scanner (for shipping and other reasons), tilt the scanner and look for the locking switch on the right corner at the front, then push the locking switch to the "Locked" position. **DO NOT** turn the scanner upside down when attempting to lock the unit.

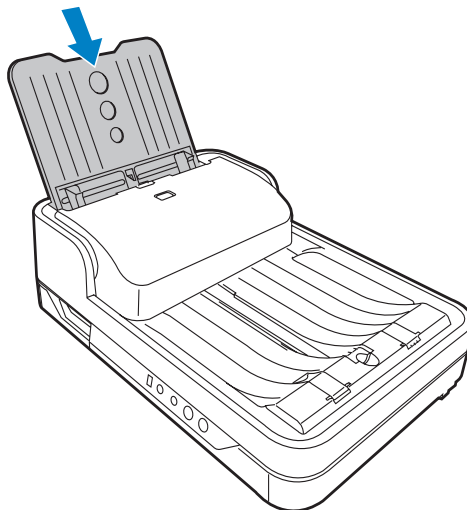
Step 4: Installing the Document Feed Tray

After unpacking the scanner package, you can find the Document Feed Tray put separately from your scanner. Install it on the scanner before using the scanner.

1. Insert the Document Feed Tray by sliding the tabs into the slots at the back of the scanner.



2. Push the tray down until it locks in place, and ensure that the tray sits tightly on the scanner.

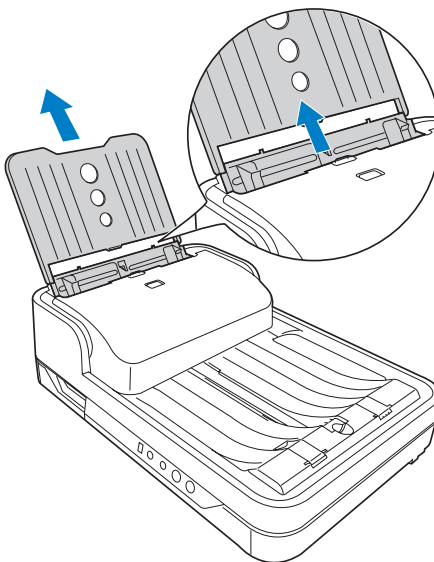


Closing the Document Feed Tray

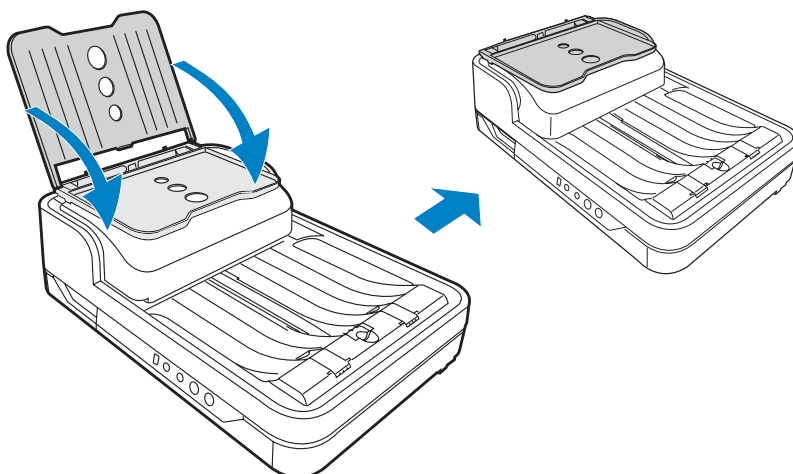
If you have to transport the scanner or use the flatbed scanner glass to scan a document, it is strongly recommended that you should close the Document Input Tray in order to avoid the damage of the component part of the scanner.

To close the Document Input Tray:

1. Along the tracks of the two sides of the Document Feed Tray, slide the feed tray UP until it reaches the highest level which can be fully extended.



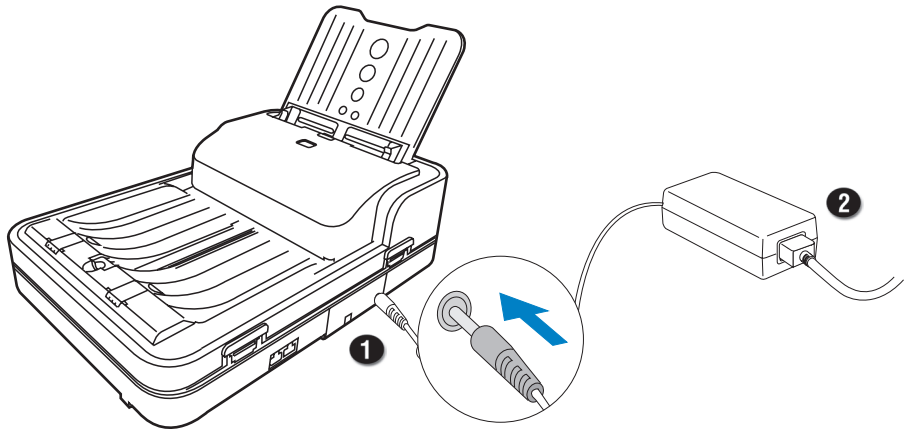
2. Tilt the Document Feed Tray forward in the direction as arrow shown to close the tray.



Step 5: Connecting the Scanner

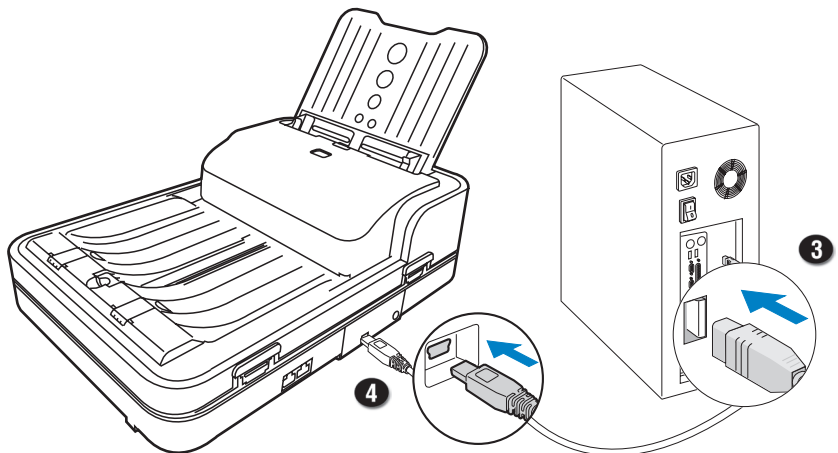
To the Power Adapter

1. Connect the power adapter to the back of the scanner.
2. Plug one end of the power cord into the power adapter, and plug the other end of the power cord into a wall outlet or other power source.



To the Hi-Speed USB Cable

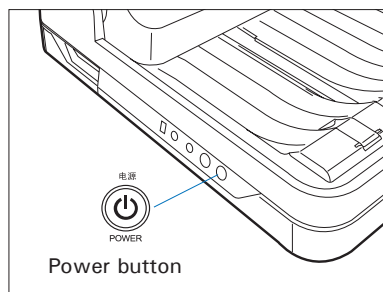
3. Connect one end of the Hi-Speed USB cable to your computer.
4. Connect the other end of the Hi-Speed USB cable to the scanner's USB port.



5. Press and hold the Power button (⏻) until the orange LED lights on.

Once the scanner is powered on, the orange LED will be lighted up, and the 7-segment LED display (SSD) will also be activated as well.

The system will detect the scanner automatically.

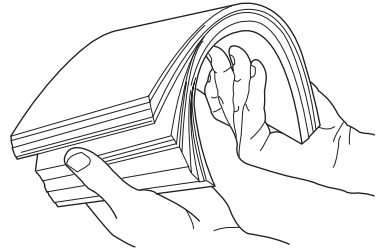


Positioning Documents

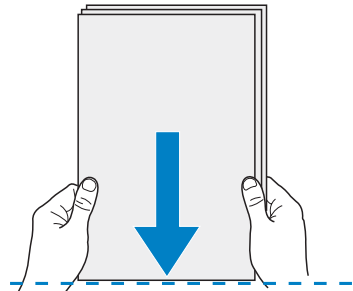
Into the ADF (Automatic Document Feeder)

This section shows you how to load a stack of documents into the ADF (Automatic Document Feeder).

1. Fan the stack of papers to be scanned before loading them into the Document Feed Tray.



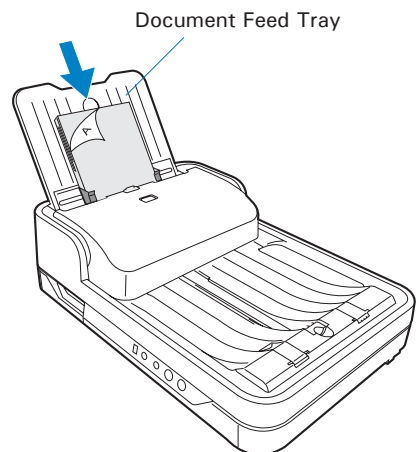
2. Align the top edges of the papers neatly.



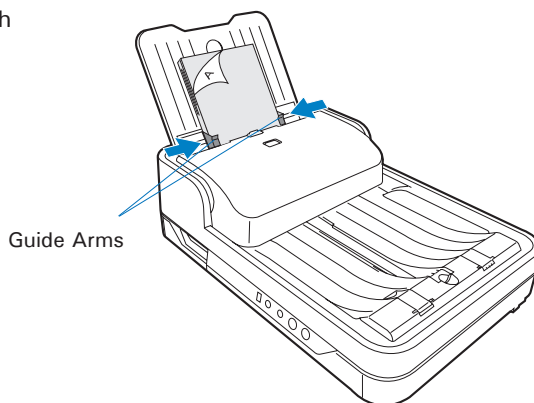
3. Load the stack of papers into the Document Feed Tray, with the side to be scanned facing down and the top edge of the paper facing toward the feeder.

Push the stack of papers into the tray until the paper's edge touches the bottom edge of the feeder.

WARNING: The document feeder is not designed for scanning photos; doing so may damage your originals. Microtek accepts no responsibility for damage that may arise from misuse of equipment.

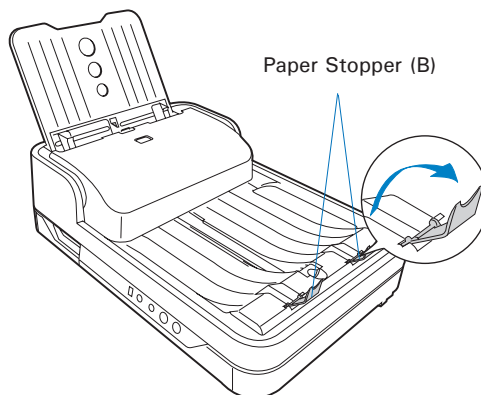
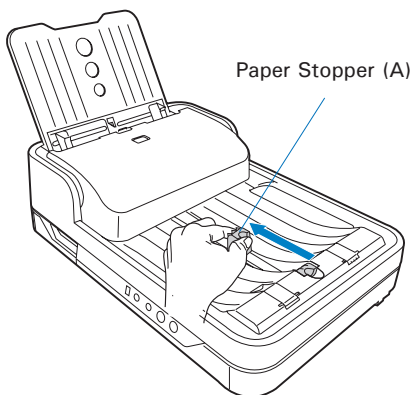


4. Align the stack of papers with the center of the Document Feed Tray by sliding the two Guide Arms toward the stacked papers if needed.



5. Use either of the Paper Stopper (A) or (B) to keep a stack of papers stay neatly in the output tray after the scan.

Follow the descriptions at the next page to use the Paper Stopper, depending on your paper size in use.

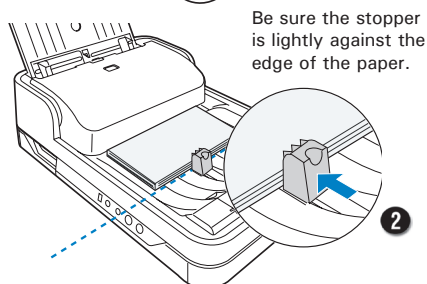
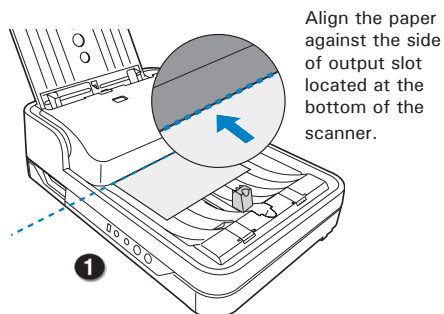


Using the Paper Stoppers

There are two types of Paper Stoppers at the output tray, which are designed to prevent the outputs of stacked papers falling in a mess into the output tray after being scanned. Based on the paper size in use, adjust either of Paper Stoppers to appropriate position to keep the after-scanned outputs neatly in the output tray before scanning.

- Use the Paper Stopper (A) when the scanned documents are smaller than A4.
 - 1) Load the paper to be scanned inside the space between the stopper and the output slot of the scanner.
 - 2) Slide the Paper Stopper (A) until the stopper touches the edge of the paper.

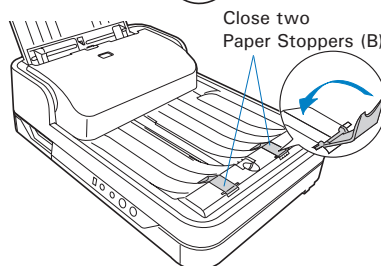
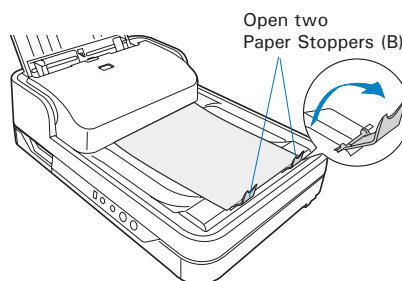
If done, reload the papers to be scanned into the feed tray to start your scan.



NOTE: The position of the Paper Stopper (A) on the tray must be equivalent to the length of the paper. Incorrect positioning of the Paper Stopper (A) will result in disorders and mess for the after-scanned outputs.

- Use the Paper Stopper (B) when the scanned documents are equivalent to A4 or Letter size.

Lift up two Paper Stoppers (B) as the direction shown in the graph.
- Ensure that the Paper Stoppers (B) are closed when the scanned documents are larger than A4 or Letter.



Document Notices

There are several precautions and reminders about using the scanner correctly. Please refer to the section as below for the detail.

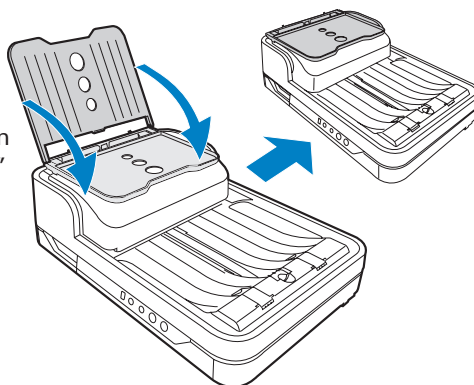
- The ADF is not designed for scanning photos; doing so may damage your originals. Microtek accepts no responsibility for damage that may arise from misuse of equipment.
- The ADF can handle paper specifications:
 - Paper size: • ArtixScan DI 5240/5250/5260
 Max. 8.5" x 65" (216 mm x 1651 mm)
 Min. 3.149" x 3.149" (80 mm x 80 mm)
 - Paper weight: 8 to 32 lb. (30.08 to 120.32 g/m²)
- If the documents are torn, curled, or wrinkled, do not put them into the ADF to scan, because they may cause paper jams.
- Remove paper clips or staples before placing documents into the tray. DO NOT use the ADF to scan documents with paper clips or staples because they may cause paper jams or damage the feeder.
- Feeder capacity: Up to 75 sheets of papers
 (18.6 lb. / 70 g/m²; 0.1 mm thickness)

On the Flatbed

This section shows you how to position a single-sheet document, such as a single photograph or a page from a book, on the flatbed.

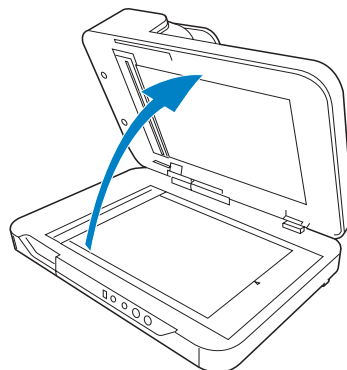
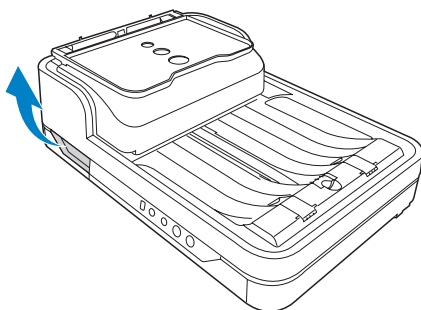
1. Fold down the Document Feed Tray to close it.

Please refer to the previous section “Closing the Document Feed Tray” in this manual to close it.



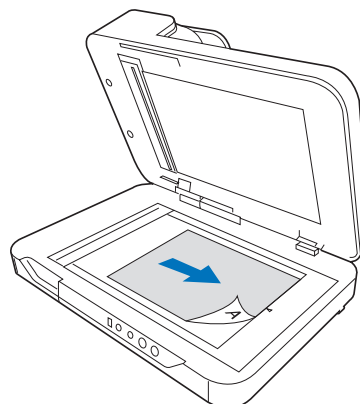
2. Raise the scanner lid (ADF).

Locate the notch at the left-front lower side of the scanner. Then, grab on the edge and corner of the scanner lid (ADF) to lift it up with your two hands.



3. Place the document to be scanned face down on the scanner glass surface. Position the top end of the paper towards the right of the scanner; then, lower the scanner lid on the scanner glass surface.

WARNING: Due to the weight of the scanner lid (ADF) at the top of the scanner, every time when you raise or lower the scanner lid, please hold it with your hands tightly; otherwise, the scanner lid may fall down forcibly and then result in personal injury and product malfunction.



Scanning Scenarios

Microtek only demos the use of the ScanWizard DI (PC) in succeeding pages in this guide. For more details about using the ScanPotter (Mac) to scan your documents, please refer to the ScanPotter Reference Manual in the Microtek software CD/DVD.

Using ScanWizard DI

ScanWizard DI is a scanning software designed by Microtek for document scanning in color, black and white, and grayscale in both duplex and simplex modes. Its user-friendly interface enables you to easily start the scanning process. Refer to the ScanWizard DI software manual for more details.

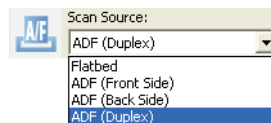
WARNING:

- Do not place photos or fragile materials in the feed tray, for it will damage the originals when performing the feeding process. Always place frail originals on the scanner's glass surface and choose "Flatbed" as your Scan Source.
- Before scanning the document from the ADF, make sure the flatbed scanning area is clear from any obstructions. Otherwise, a scanning error may occur.
- Before using the ScanWizard DI, make sure that your anti-virus software program has been turned off. Otherwise, the scanning speed may be affected.

The following sections will show you step by step how to use ScanWizard DI.

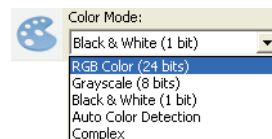
Scanning Documents

1. Place the document to be scanned either on the scanner glass surface or into the ADF's Document Feed Tray.
2. Launch ScanWizard DI as a stand-alone program by clicking on the *ScanWizard DI* icon on the desktop.
3. Click the *Scan Setup* button in the interface to activate the Scan Setup interface.
4. In the Scan Setup interface, follow the steps below to specify your basic settings.
 - a) Select your image input device in the *Scan Source* drop-down menu.
 - Select *Flatbed* if you place the document on the scanner's glass surface.
 - Select *ADF (Front Side)*, *ADF (Back Side)* or *ADF (Duplex)* if the document is fed from the scanner's document feed tray.

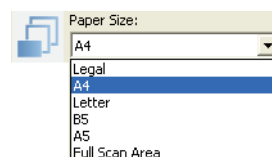


- b) Select the appropriate image type in the *Color Mode* as your image output type.

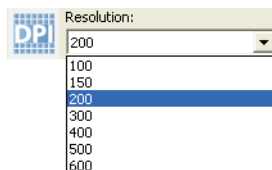
- Select *RGB Color (24 bits)* to scan the image in color.
- Select *Grayscale (8 bits)* to scan the image in grayscale.
- Select *Black & White (1 bit)* to scan the image in black-and-white.
- Select *Auto Color Detection* to scan the image in color or non-color based on the automatic judgement and detection of the system.
- Select *Complex* to scan the image in color, grayscale or non-color based on the customization.



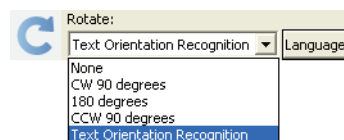
- c) Select a dimension in the *Paper Size* as your preview image size.



- d) Select a desired resolution in the *Resolution* for your image output resolution.



- e) If necessary, select “Text Orientation Recognition” in the Rotate to ensure the scanned images in a readable orientation. When it is selected, you can select the preferred language used as an identification in the options menu.



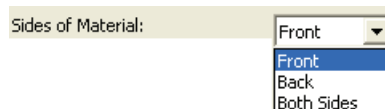
- f) If “Auto-crop” & “Auto-deskew” is selected, the scanner automatically detects the size of the original image, crops the full scan frame to fit the image, and removes unwanted black borders after the scan, as well as corrects the distorted image for proper alignment.



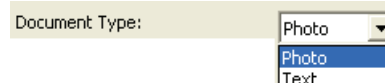
5. Click the *Show Preview Window* and *Show Setting Window* tabs in the Scan Setup interface to display other interfaces which are helpful for your scanning processing.
6. Click the *Preview* button to perform a preliminary view of the entire image. When done, a preview image appears in the Preview window. Do not forget to put the document back on the document feed tray.

7. Go to the “General” panel by clicking the *General* tab in the Settings window. Specify the settings for your requirements there.

- a) If necessary, specify the image settings for the front or back side of documents separately by using the *Sides of Material* control when Scan Source is set as “ADF (Duplex)”.

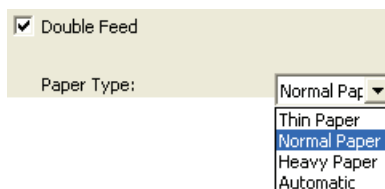


- b) Select the image type in the *Document Type* as your input image type.



- Select *Photo* to scan color prints.
- Select *Text* to scan text.

- c) If necessary, check “Double Feed”, then select a suitable paper thickness for the ultrasonic double-feed detection in the *Paper Type* options menu to prevent multiple pages from being fed together while papers are fed through the ADF.



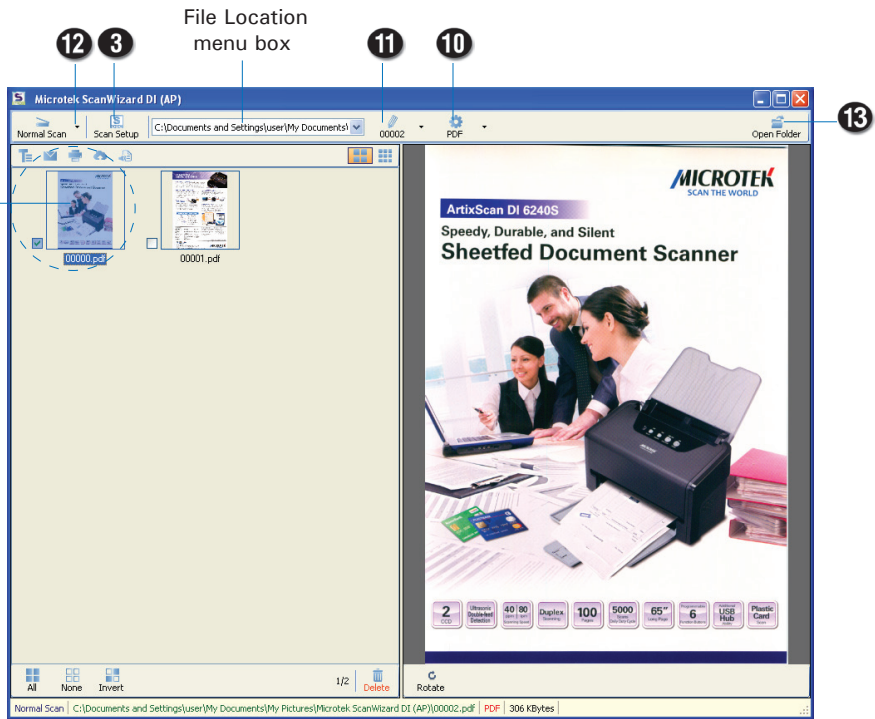
- d) If necessary, check “Remove Blank Page” and “Remove Punch Hole” to enhance the quality of the scanned images.

8. If necessary, go to the “Image Process” panel by clicking the *Image Process* tab in the Settings window. Use the image correction tools presented there to enhance the image quality according to your specific requirements.
9. Click the *OK* button to close the Scan Setup interface and return to the Main interface of ScanWizard DI.
10. In the Main interface, click the *File Format* menu button to select a file format for the scanned images.
11. In the Main interface, click the *File Name* menu button to specify a file naming method for the scanned images.
12. In the Main interface, select and click the *Normal Scan* button to start scanning.

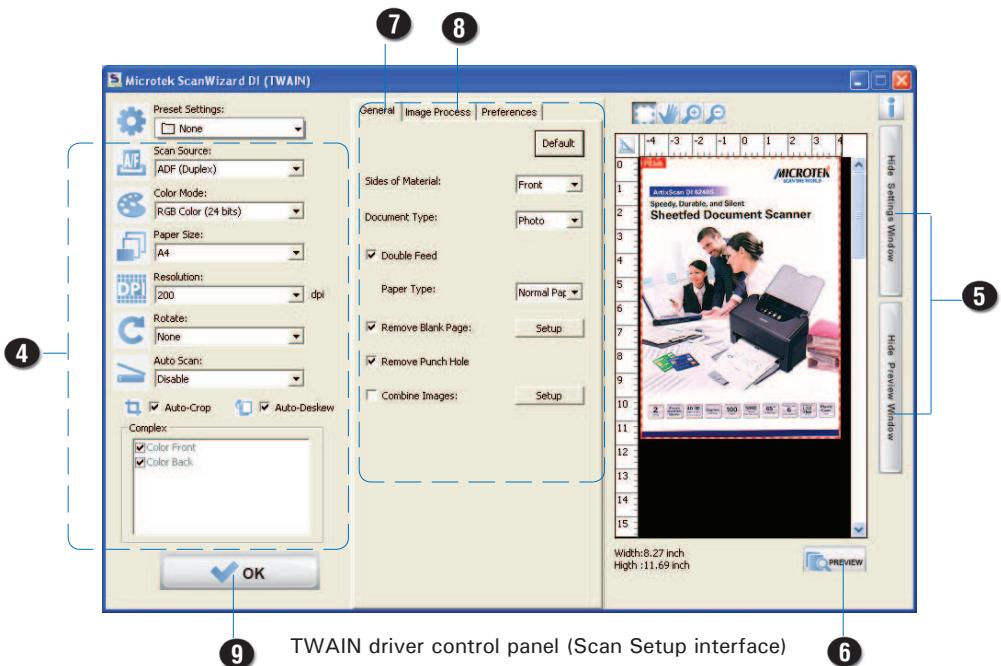
When done, the scanned images will be automatically saved into the folder defined in the File Location menu box. At the same time, the scanned images will be displayed in thumbnail sizes in the Thumbnail View window and labeled with the file name and file format specified earlier.

13. Click the *Open Folder* button to locate the scanned images if you want to view.

Click on a thumbnail image to enlarge it in the Image View Window at the right side of the interface.



AP control panel (Main interface)



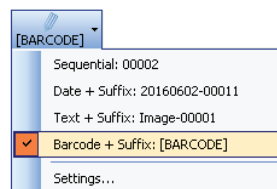
TWAIN driver control panel (Scan Setup interface)

Scanning Documents with Barcodes

This scanning scenario is useful for the documents to be filed with barcode numbers.

1. Place the single-sheet document to be scanned either on the scanner glass surface or into the ADF's Document Feed Tray.
2. Launch ScanWizard DI as a stand-alone program by clicking on the *ScanWizard DI* icon on the desktop.
3. Click the *Scan Setup* button in the interface to activate the Scan Setup.
4. Follow the procedure (steps 4 through 8) for "Scanning Documents" section to specify your scanning requirements in the interface.
5. Click the *OK* button to close the Scan Setup interface and return to the Main interface of ScanWizard DI.
6. In the Main interface, click the *File Format* menu button to select a file format for the scanned images.
7. In the Main interface, click the *File Name* menu button and then select "Barcode + Suffix" from its drop-down menu for the scanned images.

NOTE: If you want to know more about how to deal with documents with barcodes, refer to the *ScanWizard DI Reference Manual* in the Microtek Software CD/DVD.

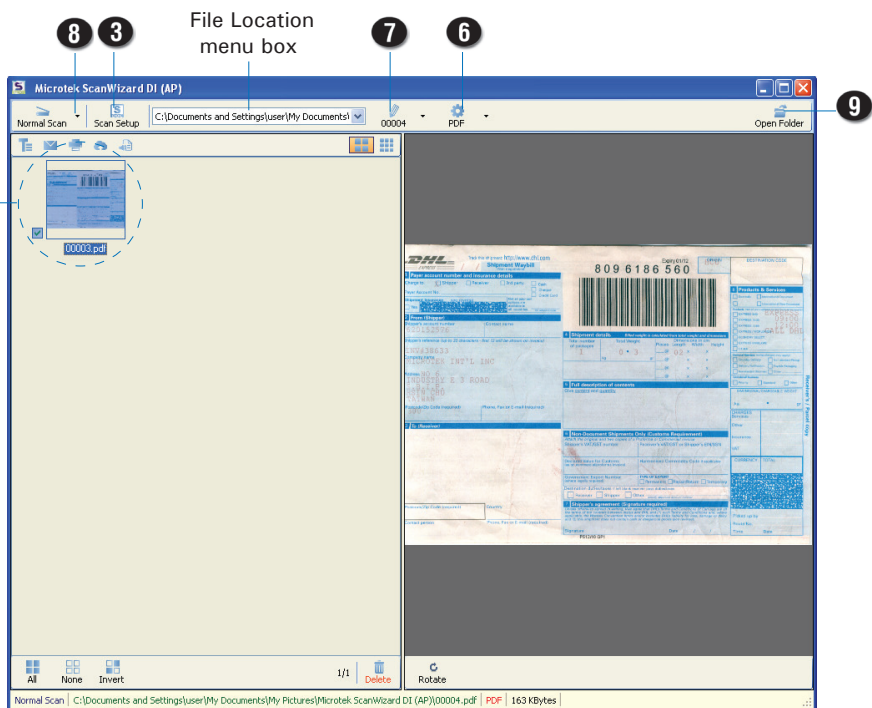


8. In the Main interface, select and click the *Normal Scan* button to start scanning.

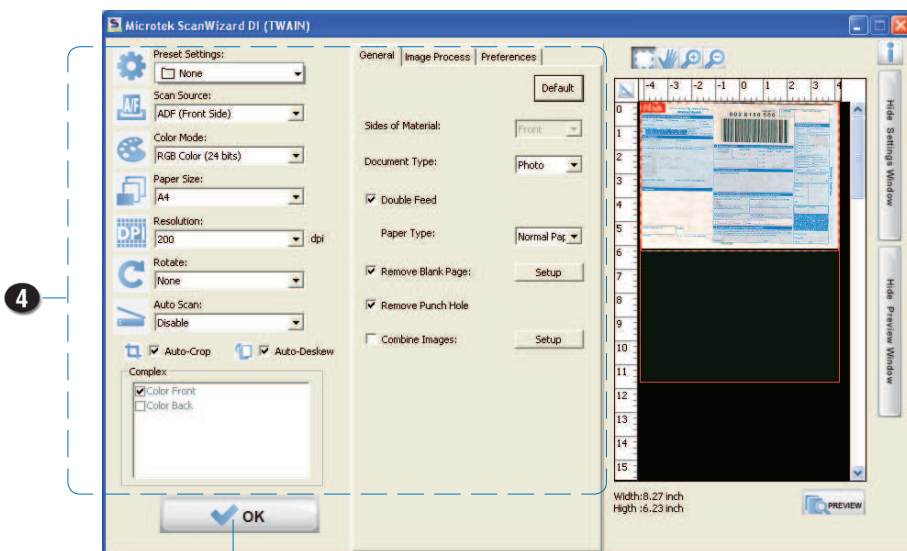
When done, the scanned images will be automatically saved into the folder defined in the File Location menu box. At the same time, the scanned images will be displayed in thumbnail sizes in the Thumbnail View window and labeled with detected barcode values and chosen file format.

9. Click the *Open Folder* button to locate the scanned images if you want to view.

Click on a thumbnail image to enlarge it in the Image View Window on the right side of the interface.



AP control panel (Main interface)



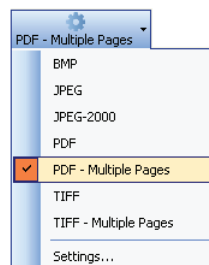
TWAIN driver control panel (Scan Setup interface)

Scanning a Book

The Book Scan button in ScanWizard DI is quite helpful when you want to scan a physical book and save it as an electronic file. The scanned result can be used directly as an E-book and you do not need any editing software to maintain it later.

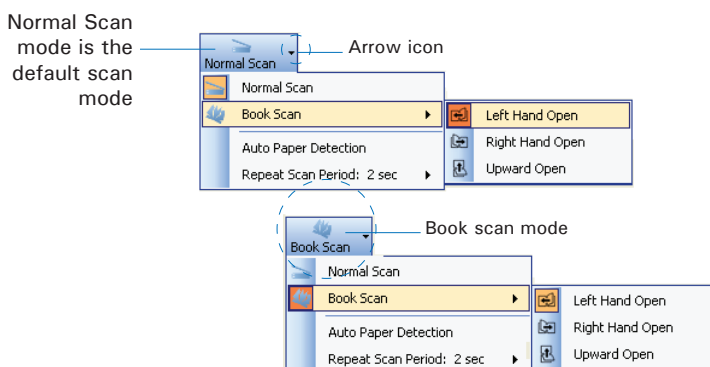
1. Launch ScanWizard DI as a stand-alone program by clicking on the *ScanWizard DI* icon on the desktop.
2. Follow the procedure (steps 3 through 8) for “Scanning Documents” section to specify your scanning requirements in the interface.
3. Click the *OK* button to close the Scan Setup interface and return to the Main interface of ScanWizard DI.
4. In the Main interface, click the *File Name* menu button to select a file format for the scanned images.

If you want to save all scanned pages of your book in one file, please select “PDF-Multiple Pages” or “TIFF-Multiple Pages” from the drop-down option menu.



5. If it is the first time that you scan a book, follow the steps below to switch to the Book Scan mode from the Normal Scan mode.
 - a) Click the *Arrow* icon next to the Normal Scan button (by default) to bring up the Scan mode options menu.
 - b) Move your cursor upon the “Book Scan” and click to select it, the Book Scan button will appear on the screen. Then, select an opening direction for your book from its submenu.

When done, the Book Scan mode is activated.



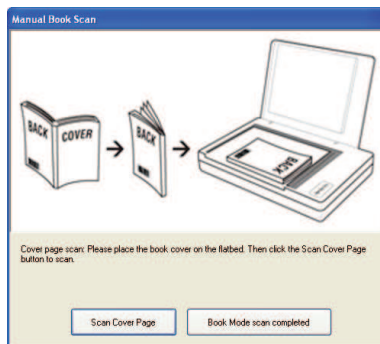
According to the opening direction of a book, the system offers you three choices: Left Hand Open, Right Hand Open and Upward Open. Move your cursor upon the option to highlight and select it.

6. Next, click the *Book Scan* button to start your book scan.

- a) When the Book Scan button is pressed, a “Manual Book Scan” window appears on the screen to guide you to put the cover page of the book on the scan bed.

Follow the instructions and graphs there to put the cover page on the scan bed.

When done, press the “Scan Cover Page” button to start scanning of the cover page.



- b) When the scan is complete, the window will guide you to put the even page of the book on the scan bed.

Follow the instructions and graphs there to put the even page on the scan bed.

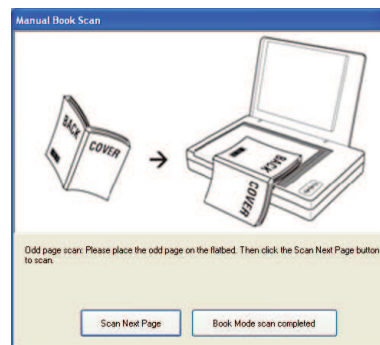
When done, press the “Scan Next Page” button to start scanning of the even page.



- c) When the scan is complete, the window will guide you to put the odd page of the book on the scan bed.

Follow the instructions and graphs there to put the odd page on the scan bed.

When done, press the “Scan Next Page” button to start scanning of the odd page.

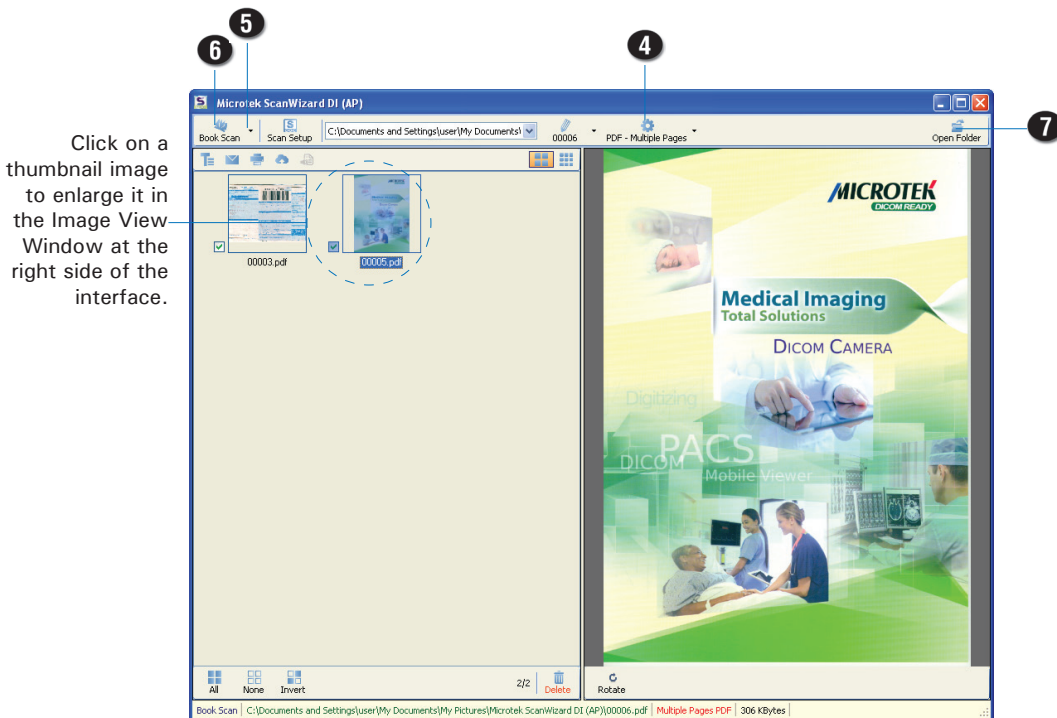


- d) Repeat step b) and c) until you finish scanning of all pages in your book.

When done, press the “Book Mode scan completed” button to finish scanning the book.

When done, the scanned images will be automatically saved into the folder defined in the File Location menu box. At the same time, the scanned images will be displayed in thumbnail sizes in the Thumbnail View window and labeled with the chosen file format.

7. Click the *Open Folder* button to locate the scanned images if you want to view.



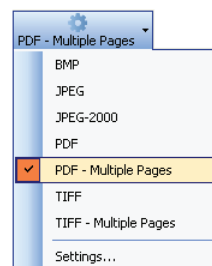
AP control panel (Main interface)

Scanning Documents Automatically

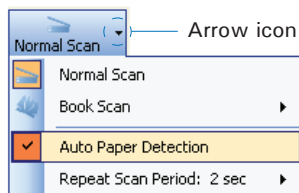
This scanning scenario guides users to perform an automatic scan by using the Auto Paper Detection function. It works only when the scanner is equipped with a paper detecting sensor

1. Launch ScanWizard DI as a stand-alone program by clicking on the *ScanWizard DI* icon on the desktop.
2. Follow the procedure (steps 3 through 8) for “Scanning Documents” section to specify your scanning requirements in the interface.
3. Click the *OK* button to close the Scan Setup interface and return to the Main interface of ScanWizard DI.
4. In the Main interface, click the *File Name* menu button to select a file format for the scanned images.

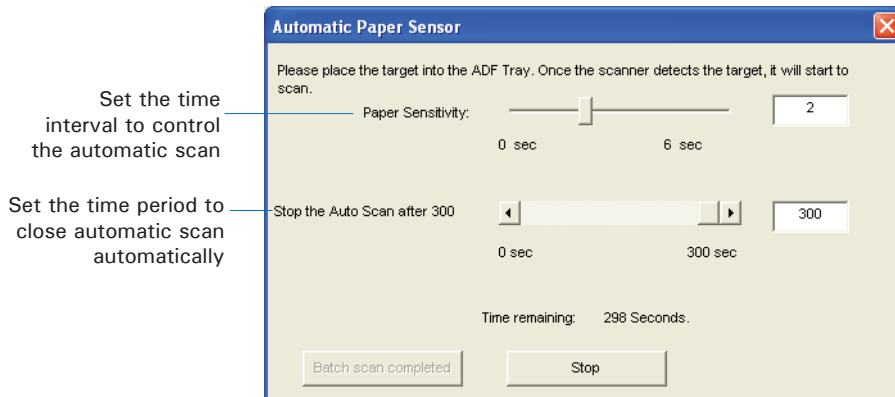
If you want to save all scanned pages of your document in one file, please select “PDF-Multiple Pages” or “TIFF-Multiple Pages” from the drop-down option menu.



5. If it is the first time that you perform an automatic scan by using the Auto Paper Detection function, follow the steps below to activate it.
 - a) Click the *Arrow* icon next to the Normal Scan button (by default) to bring up the Scan mode options menu.
 - b) Move your cursor upon the “Auto Paper Detection” and click to select it. When done, the selected function will be highlighted and activated.



6. Next, click the *Normal Scan* button to start your automatic scan.
 - a) When the Normal Scan button is pressed, an “Automatic Paper Sensor” window appears on the screen. If necessary, adjust slider bars to increase/decrease the value of user settings for the “Paper Sensitivity” and “Stop the Auto Scan after...” options.



- b) Load the document to be scanned onto the scanner's document feed tray. Once the scanner detects the document, the scanner will start scanning automatically based on a predefined time interval.
- c). Click the Stop button to stop the automatic scan immediately; Or, the automatic scan will be closed automatically when it is not in use for a period of time.

When done, the scanned images will be automatically saved into the folder defined in the File Location menu box. At the same time, the scanned images will be displayed in thumbnail sizes in the Thumbnail View window and labeled with the chosen file format.

7. Click the *Open Folder* button to locate the scanned images if you want to view.

Scanning Documents from an Application

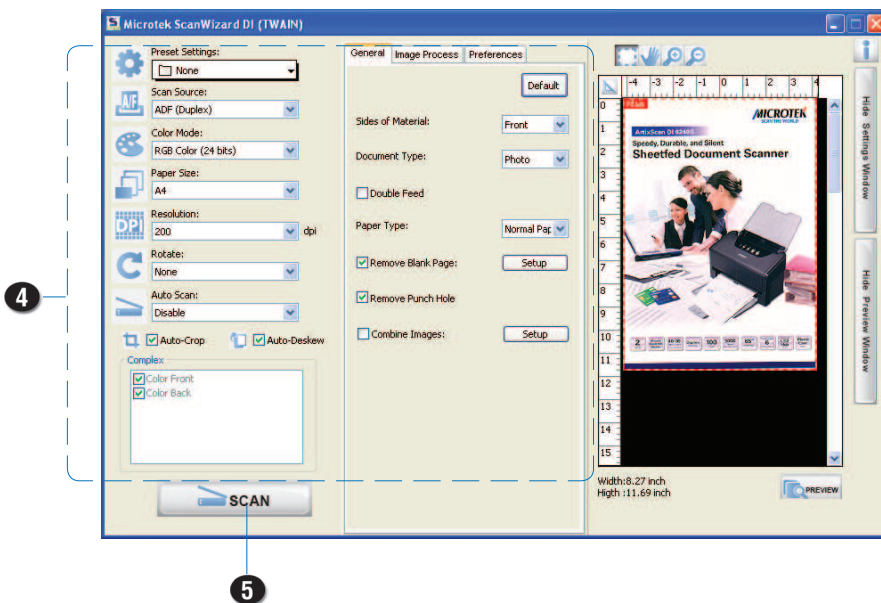
This scanning scenario guides users to scan documents from an application other than ScanWizard DI, such as Adobe PhotoShop.

1. Place the document to be scanned either on the scanner glass surface or into the ADF's Document Feed Tray.
2. Launch your application (e.g., Adobe PhotoShop).
3. Select the "Microtek ScanWizard DI (TWAIN)" driver in the Import options from the File menu.

When succeeded, the ScanWizard DI (TWAIN) driver interface appears on the screen.

4. In the interface, follow the procedure (steps 4 through 8) for "Scanning Documents" section to specify your scanning requirements.
5. When finished, click the *Scan* button to start scanning.

When done, the scanned images is then delivered to the Adobe PhotoShop and opened automatically, where the images can be saved, printed, or edited as your desired.



Utilizing Scanned Documents

Depending on your needs, you may utilize your scanned and saved documents directly in the following ways.

Scanning for OCR

The OCR (Optical Character Recognition) function allows to convert the scanned and saved images into text files that can be edited in any common word processing applications (e.g., Word, Excel, PowerPoint).

1. Check the box next to the images or use the selection tools (All and Invert) to select the image files you want to perform OCR in the Thumbnail View window.

If you like to select all images at one time, click the All button.

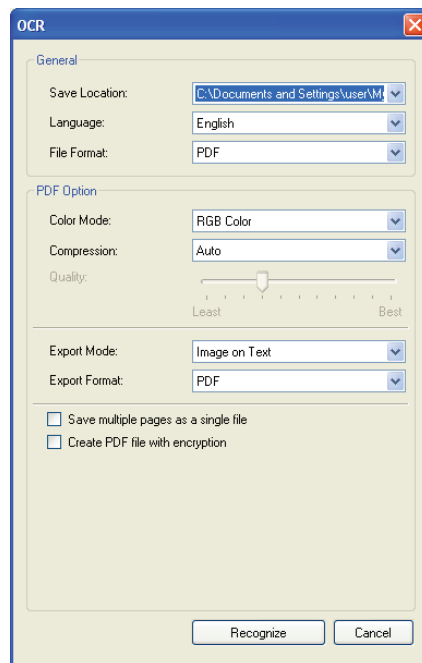
2. Click the *OCR* button in the Thumbnail View window to activate the OCR Settings window.

3. In the OCR Settings window, set up related requirements:

- Save Location: Specify a directory for saving the converted files.
- Language: Select a language in which the original text document is written. Supported options include most common used languages in the world.
- File Format: Select a file format for the converted files. Options include DOCX, PDF, PPTX, RTF, TXT, XLS, XLSX and XML.

When PDF is selected, the “PDF Option” section is enabled at bottom of the window.

- Color Mode: This menu box lets you select a color mode for the converted PDF file. The available options are RGB Color, Grayscale, and Black & White.
- Compression: This menu box lets you select a file format which supports file compression feature. The available options include Auto, JPEG, JPEG 2000, LZW and ZIP. If JPEG or JPEG 2000 is selected, the Quality control will be enabled in the window. Drag the slider to left or right to define a quality setting for the file.
- Export Mode: This menu box lets you select a layout mode when exporting a file containing text and images. The available options include Image Only, Image on Text, Text on Image and Text Only.
- Export Format: This menu box lets you select a type of PDF format.
- Save multiple pages as a single file: If this option is checked, the system allows you to save the scanned image files to a single file when OCR is complete.
- Create PDF file with encryption: If this option is checked, you are allowed to add a set of passwords for your PDF file to ensure the safety.



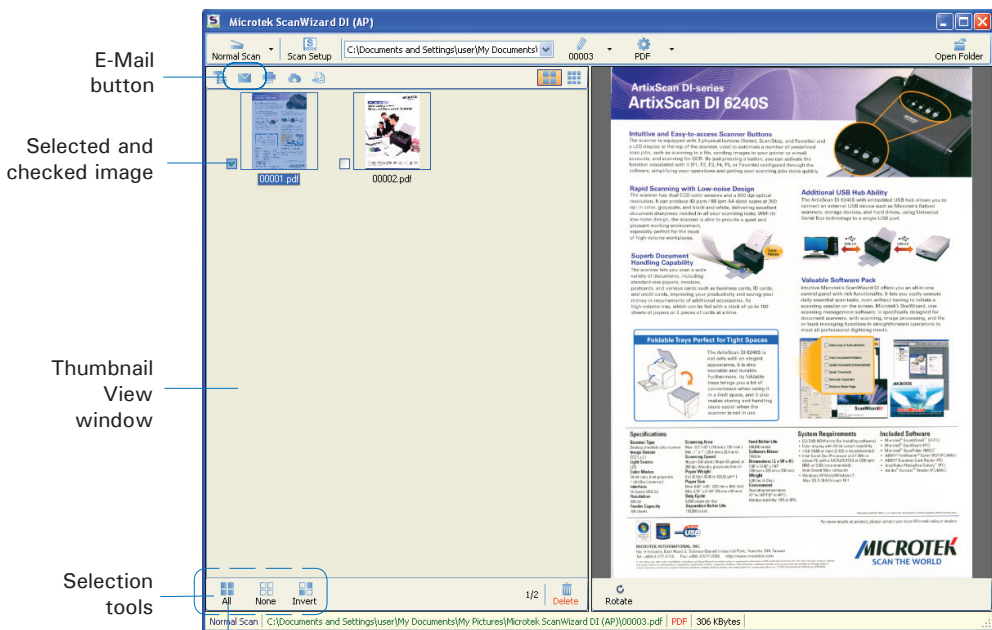
4. When done, click the *Recognize* button to perform OCR.

Once OCR is complete, the converted file is sent to your chosen folder.

Scanning for E-mail

The e-mail function allows the scanner to save and send the scanned images to the default E-mail application assigned by the system. This lets you share your scanning results with others fast and easily.

1. Check the box next to the images or use the selection tools (All and Invert) to select the image files you want to send out by E-mail in the Thumbnail View window.



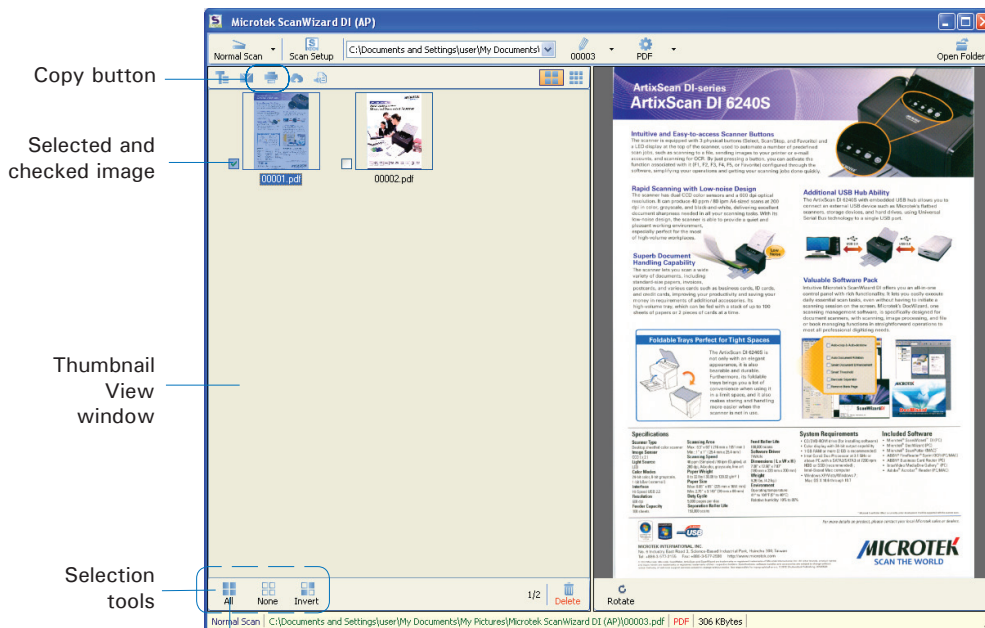
If you like to select all images at one time, click the All button.

2. Click the *E-Mail* button in the Thumbnail View window to activate the default E-Mail application. Then, follow instructions of the E-Mail application you are using to send out the selected image files.

Scanning for Copying

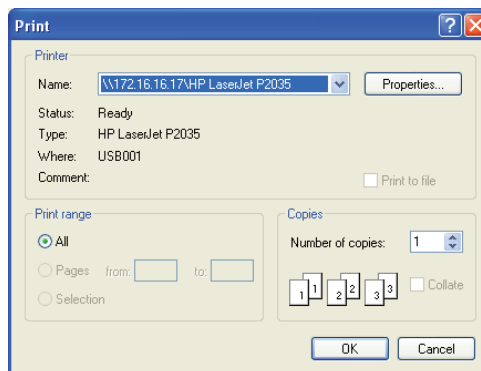
The Print function allows the scanner to work like a copier. Using together with your printer, documents can be printed successively without interruptions. This feature transforms your scanner and printer into a convenient copy station.

1. Check the box next to the images or use the selection tools (All and Invert) to select the image files you want to make a copy in the Thumbnail View window.



If you like to select all images at one time, click the All button.

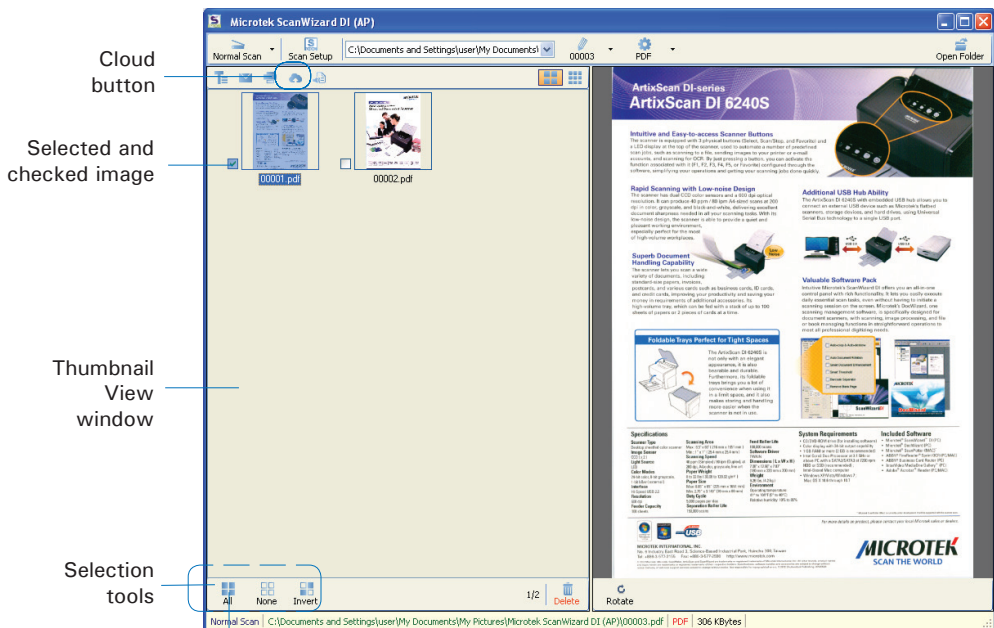
2. Click the *Print* button in the Thumbnail View window to activate the Print window.
3. Specify the number of copies to be made, then click *OK*.



Scanning to Cloud

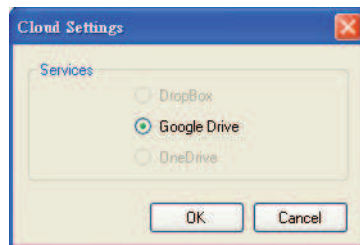
The Cloud function allows to save the scanned image files locally and also attach it to paste to the internet storage spaces assigned by the webside service providers. This lets you back up your scanning results in a safer way.

1. Check the box next to the images or use the selection tools (All and Invert) to select the image files you want to save and upload in the Thumbnail View window.



If you like to select all images at one time, click the All button.

2. Click the *Cloud* button in the Thumbnail View window to activate the Cloud Settings window.
3. In the Cloud Settings window, select a webside service provider to which you want to upload your scanned files. Please note that only the providers who have been installed and detected by the system will be available in the list.
4. When done, click the *OK* button to start uploading of scanned files.

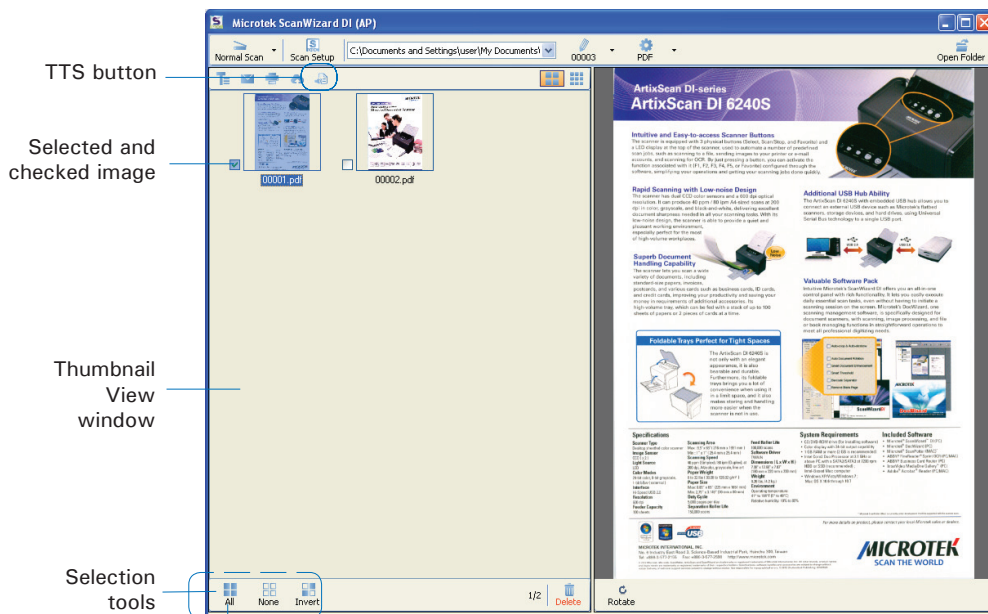


Once the uploading process is complete, there will be a “cloud” mark appearing at the left corner of the image in the Thumbnail View window.

Scanning as Text-to-Speech (TTS)

The Text-to-Speech (TTS) function allows to convert the scanned and saved images into text files that can be read out word by word by the system.

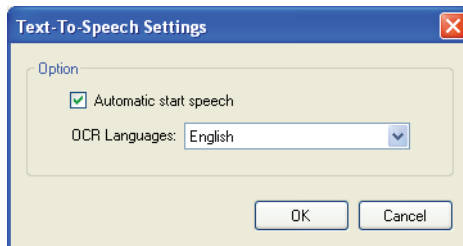
1. Check the box next to the image to select the image file you want to save and transfer as a TTS file in the Thumbnail View window.



If you like to select all images at one time, click the All button.

2. Click the *Text-to-Speech (TTS)* button in the Thumbnail View window to activate the TTS Settings window.
3. In the TTS Settings window:

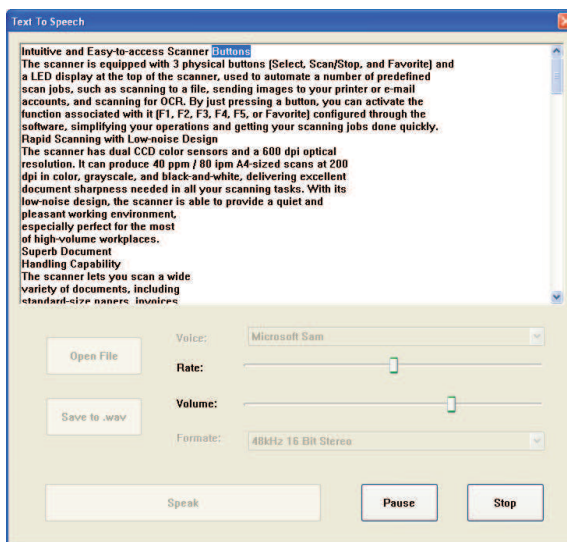
Automatic start speech: If this option is checked, the saved and converted file will be opened and read out word by word in orders automatically in the “Text to Speech” window. If this option is not checked, the saved and converted file will be opened and highlighted in the “Text to Speech” window.



OCR Languages: Select a language in which the original text document is written. Supported options include most common used languages in the world.

4. When done, click the *OK* button to perform TTS.

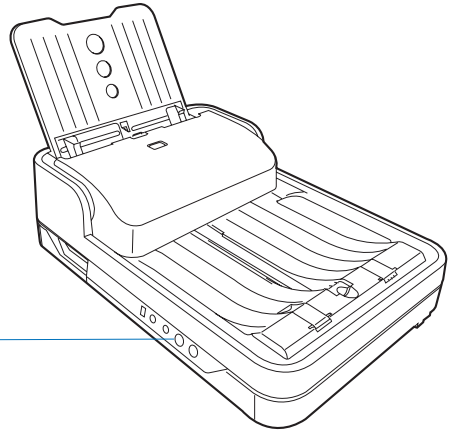
Once TTS is complete, The scanned and recognized file will be opened in “Text to Speech” window.



Scanner Buttons

Your scanner is equipped with three physical buttons, Select, Scan/Stop and Favorite, used to automate a number of customized and predefined operations, such as scanning to a file, sending an image to your printer or e-mail account, scanning for OCR, etc. Customizing is done through the Scanner Button Settings interface, as explained below.

LED display:
Displays the selected
function button number.

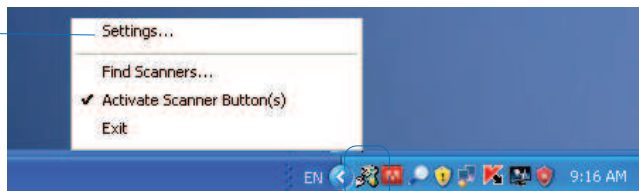


Starting Up Scanner Button Settings Interface

Before setting up scanner function buttons, follow the steps below to enable the Scanner Button Settings interface.

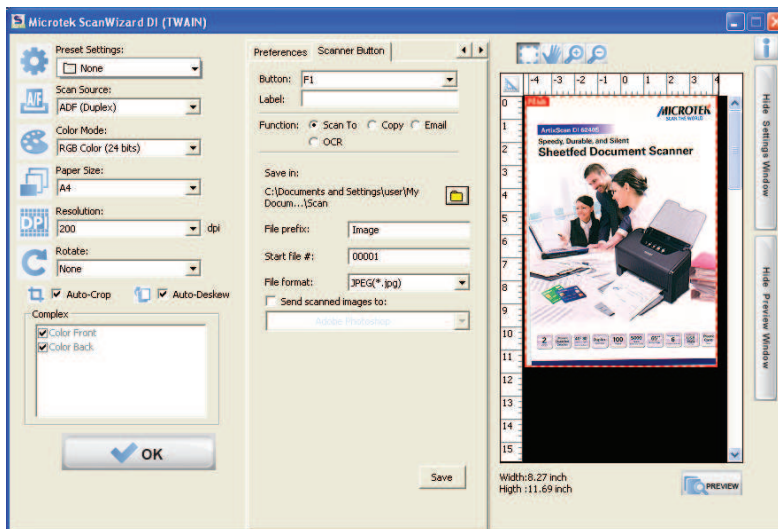
1. Look for the Scanner icon at the right corner of Toolbar on your Windows desktop.

Click Settings to enable the Scanner Button Settings interface



Scanner icon

2. Move your mouse onto the Scanner icon and then click the right button of the mouse. A small window appears on the screen. Select "Settings..." to activate the Scanner Button Settings interface.



Scanner Button Settings Interface

Customizing the Scanner Buttons

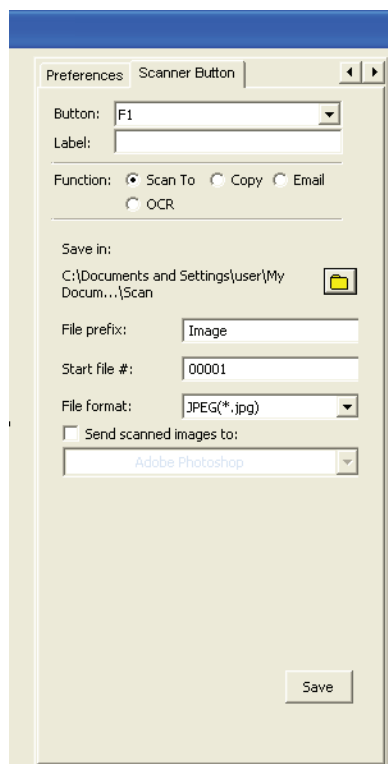
1. Launch ScanWizard DI.
2. Follow the procedures (steps 3 through 11) for the “Scanning Documents” section to specify your scanning requirements in the ScanWizard DI panel.
3. When you finish specifying the scanning settings, exit the ScanWizard DI. Follow the steps in “Starting Up the Scanner Button Settings Interface” to activate the Scanner Button Settings interface.
4. In the interface, specify your requirements for the button that you wish to define (F1, F2, F3, F4, F5 and Favorite).

a) Select F1, F2, F3, F4, F5 or Favorite (e.g., F1) to be defined from the Button options.

b) Key in your preferred string in the Label edit box for the selected function button.

c) Make your selection among the Function radio buttons below to define your selected button. The four functions provided are:

- **Scan To:** Captures images that can be automatically saved as files or sent to another application for further processing. This is the default selection.
- **Copy:** Scans the image and sends it to your printer, transforming your scanner and printer into a convenient copy station. Simply specify the number of copies you want.
- **Email:** Captures images that can be automatically saved as files or sent to the system default E-mail application.
- **OCR:** Performs OCR (Optical Character Recognition) of a document and converts it to a fully editable digital file. Saves time from retyping documents into your word processor.



5. Specify the function settings according to your requirements, then click the **Save** button. The parameters currently specified for your selected function button are saved. To define another custom function button if desired, follow steps 2 through 5 of this section.

NOTE:

1. When you have finished the settings for the function buttons in the interface, you have to exit interface before you perform the predefined scanning task by pressing the function button on the scanner.
2. If ScanWizard DI is launched and the Main interface (AP control panel) is activated on the screen, the scanned image files will appear in the Thumbnail View window for your viewing after you perform the scanning task by pressing the function button on the scanner.
3. There is only one set of operational parameters can be set and memorized for the Favorite button every time when you customize it through the Scanner Button Settings interface. You can use it as a hot key to store one set of operational parameters used most frequently.

How the Scanner Button Works

When you finish customizing the function buttons, follow the steps below to perform the scanning task by pressing the function button on the scanner. The scan will be performed in accordance with the designated button function using the parameters configured in the Scanner Button Settings interface.

1. Place the document to be scanned either on the scanner glass surface or into the ADF's Document Feed Tray.
2. Exit the Scanner Button Settings interface.
3. Press the *Favorite* button on your scanner to activate the function associated with the Favorite button easily.

or,

Press the *Select* button to toggle through the numbers of predefined function buttons (F1 to F5). When you see the number you would like to use, press the *Scan/Stop* button to activate the function associated with that button easily.

Press the button again to cancel the ongoing scanning task if needed.

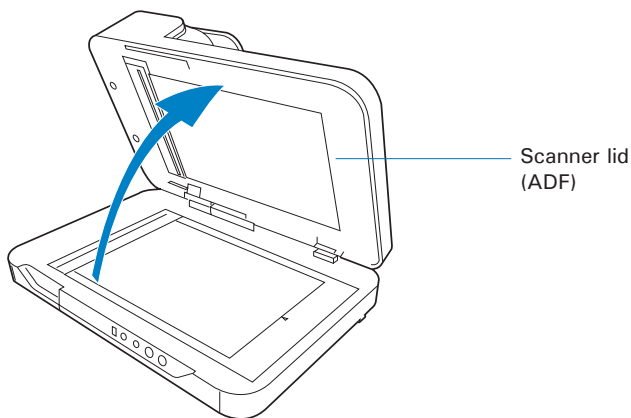
4. If necessary, specify new settings for each function button. Follow the procedures (steps 1 through 5) for the "Customizing the Function Buttons" section to specify your new requirements for the buttons that you wish to redefine.

Care and Cleaning

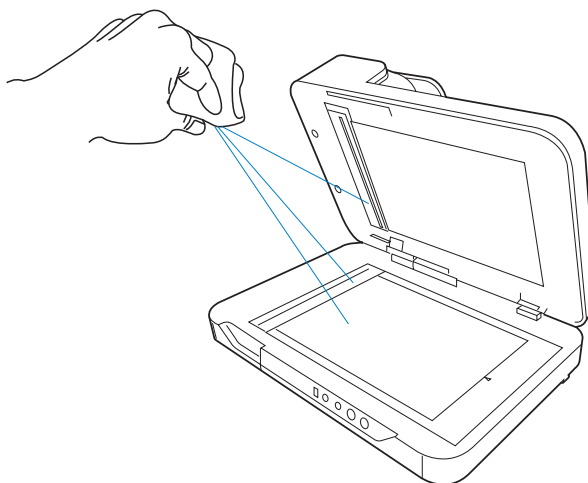
To ensure optimal performance from the your scanner, it is important to clean several critical parts of the scanner on a regular basis. The recommended cleaning cycle time would be after 3,000 to 5,000 scans.

Cleaning the Scanner Glass Surfaces

1. Lift up the scanner lid (ADF).

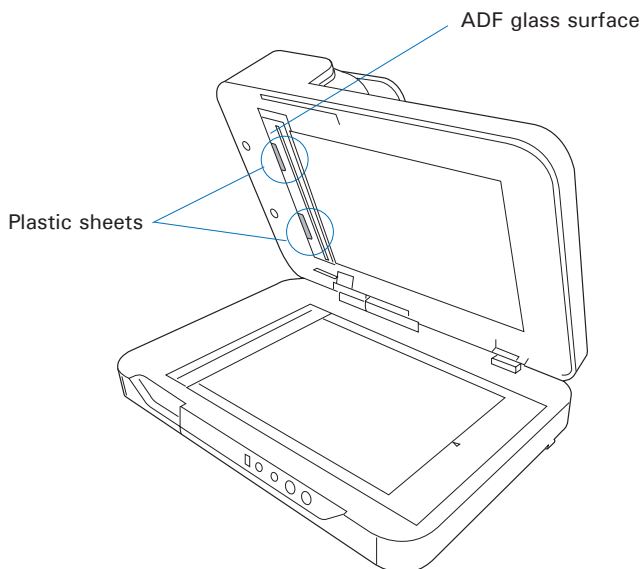


2. Then use a soft, non-abrasive and lint-free cloth to gently wipe the glass surfaces of the flatbed and ADF of the scanner.



NOTE:

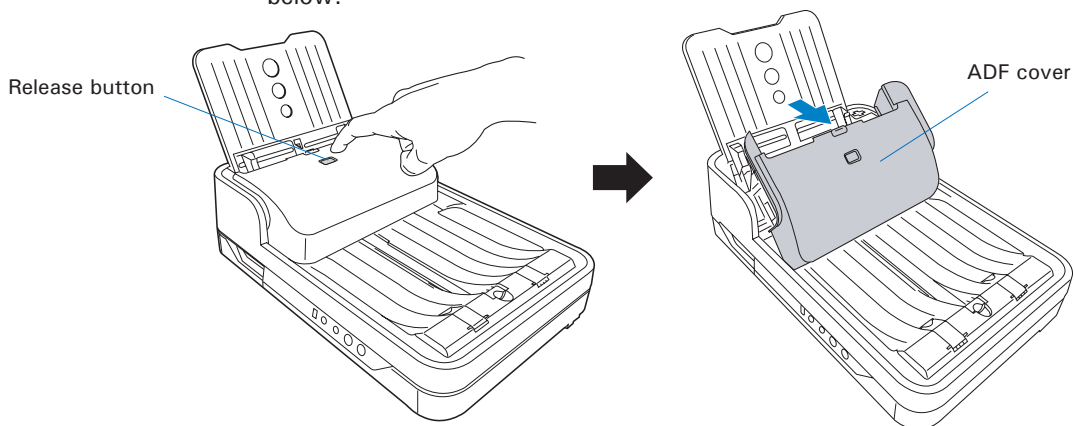
1. Do not use any detergents, synthetic cleaning solutions, cleaning naphtha, or other solvents to clean the glass surface directly. To remove stains, use cotton swabs moistened with rubbing alcohol.
2. When you clean the ADF glass surface, watch out for two pieces of plastic sheets attached along the side of the ADF glass. Please avoid to damage them when wiping the glass surface there.



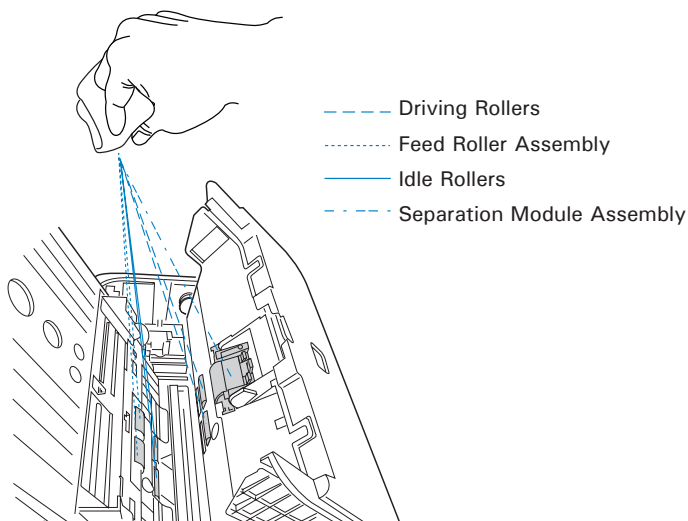
Cleaning the Rollers and the Separation Module Assembly

Prolonged use of the scanner may result in accumulation of ink and other residue on the feeder's rollers, affecting their efficiency. Clean the rollers and the Separation Module Assembly periodically to maintain performance.

1. Push the Release button to open the ADF cover as shown in the graph below.



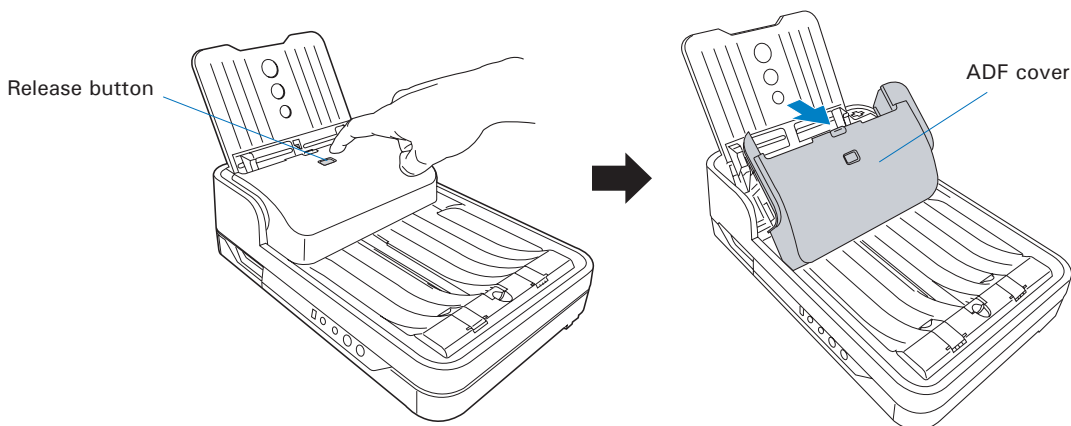
2. When the ADF cover is opened, you can find several groups of rollers and the Separation Module Assembly locating at the inner sides of the ADF. Then, clean them with a lint-free cloth or a swab moistened with alcohol or water, as shown in the graphic below.



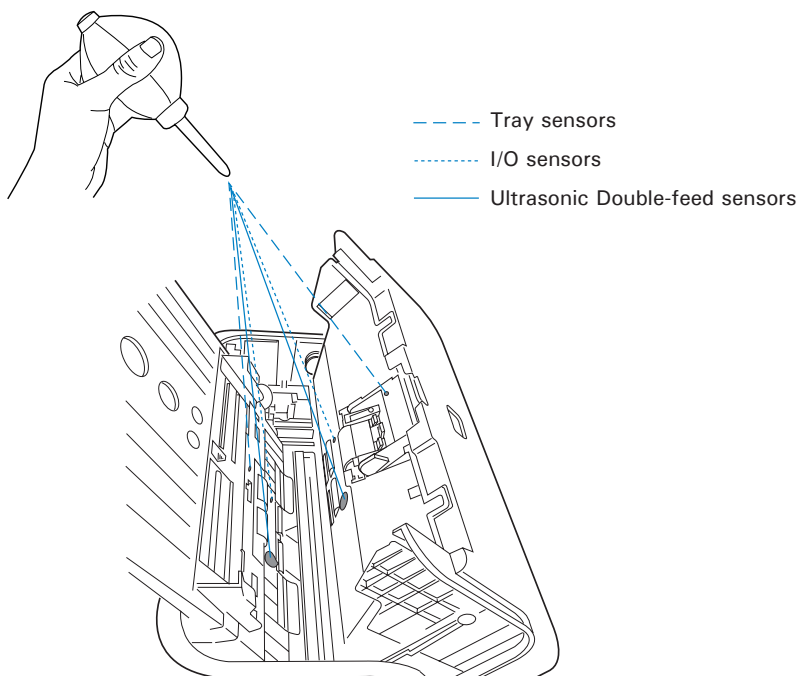
NOTE: Do not attempt to spin or rotate the rollers while cleaning, for it may damage the drive train mechanism of the ADF. The Feed Roller Assembly can be removed and cleaned separately, refer to "Maintenance" section to remove the Feed roller Assembly.

Cleaning the Sensors

1. Push the Release button to open the ADF cover as shown in the graph below.



2. When the ADF cover is opened, you can find three sets of sensors (Ultrasonic Double-feed sensors, I/O sensors, and Tray sensors) locating at the inner sides of the scanner. Then, clean the sensors with a dust blower, as shown in the graphic below.

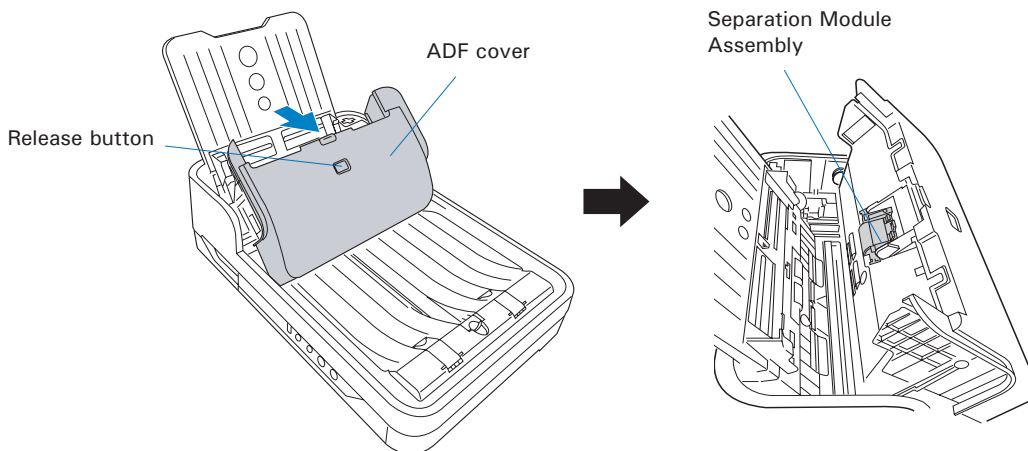


Maintenance

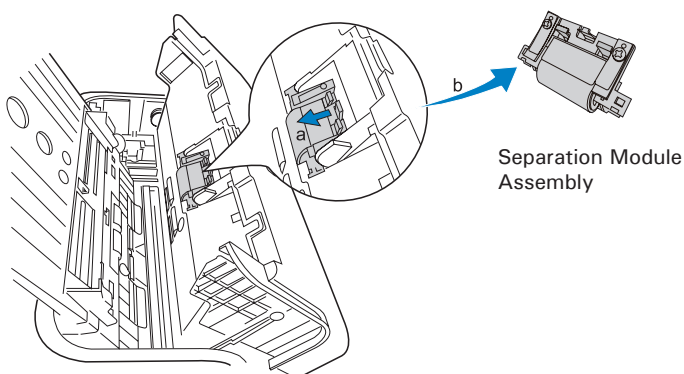
The Separation Module and the Feed Roller Assembly in your scanner are designed to make document feeding smooth. After usage for a period of time, the Separation Module and Feed Rollers may become worn out, and problems such as document double-feed may occur. In this case, check either the Separation Module or the Feed Roller Assembly, and replace them if needed. Follow the procedure below for replacement of the Separation Module Assembly and Feed Roller Assembly.

Replacing the Separation Module Assembly

1. Push the Release button to open the ADF cover as shown in the graph. Locate the Separation Module Assembly at the top of the inner side of the ADF cover.



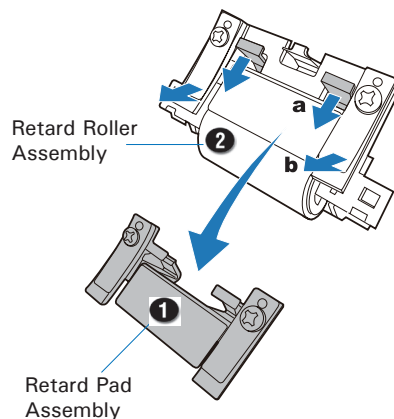
2. To take out the old Separation Module Assembly, with the cover opened, a) press the tab at the top of the Separation Module backward with your fingers; b) then, hold two sides of the Separation Module and pull it out from its compartment.



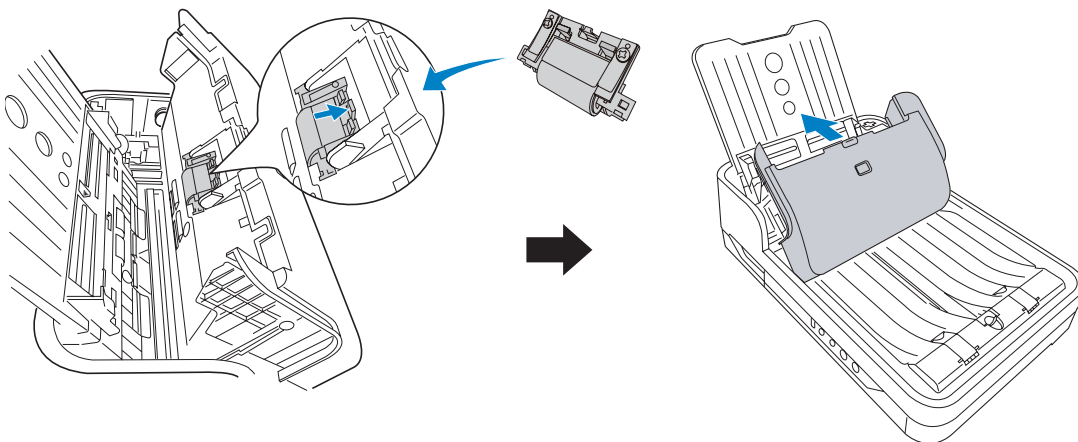
3. The Separation Module consists of two parts: 1) Retard Pad Assembly, and 2) Retard Roller Assembly, as indicated in the graphic.

To replace the old Retard Pad with a new pad,

- a) Press the two tabs at the top of the module downward with your fingers.
- b) Hold the two arms of the module and pull the old Retard Pad off from its compartment.
- c) Replace the Retard Pad with new one and install it back into its compartment until you hear a "click".



4. Hold the two sides of the new Separation Module Assembly and install it back into its compartment until it snaps into place. Finally, push the ADF cover back down into place until you hear a "click".

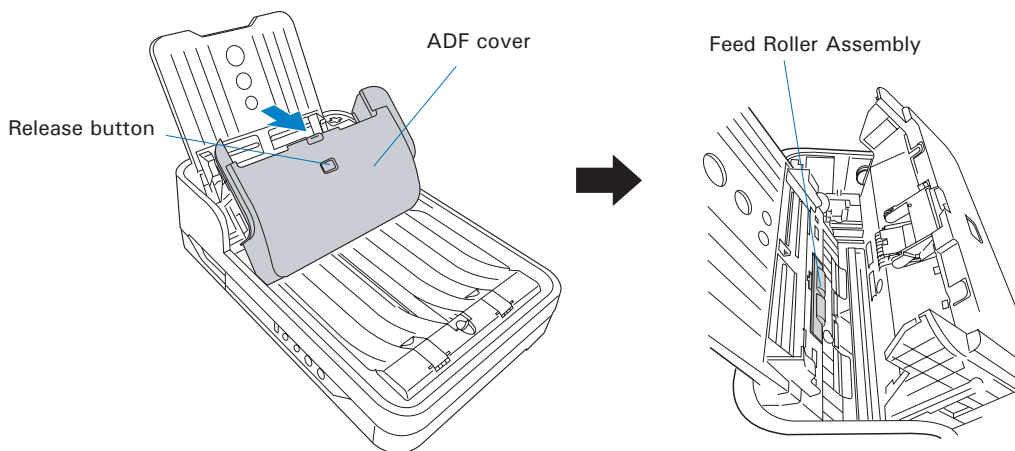


NOTE:

- The recommended replacement point for the Separation Module Assembly is approximately 100,000 scans through the feeder.
- Please contact your local resellers for purchasing new Separation Module Assembly.

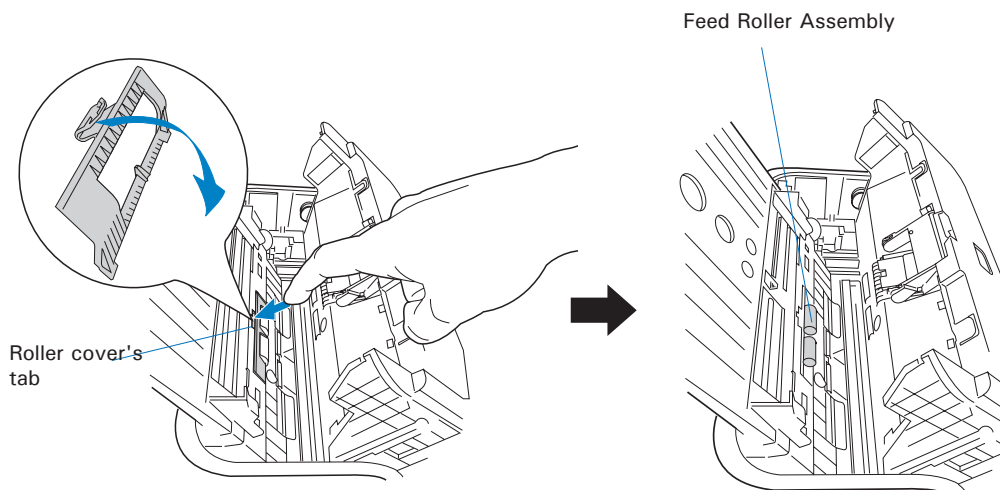
Replacing the Feed Roller Assembly

1. Push the Release button to open the ADF cover as shown in the graph. Locate the Feed Roller Assembly at the inner side of the scanner.



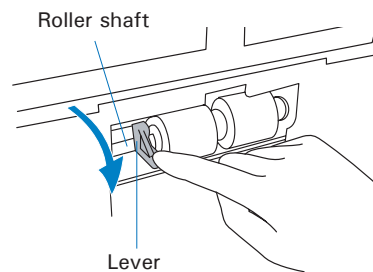
2. With the ADF cover opened, press the tab on the top of the roller cover with your finger to pull it out.

After the roller cover is removed, you will see the Feed Roller Assembly inside the component hollow.



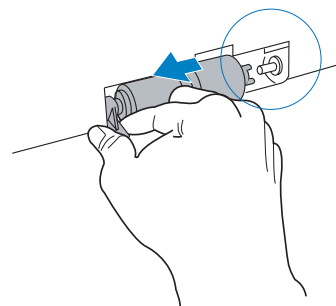
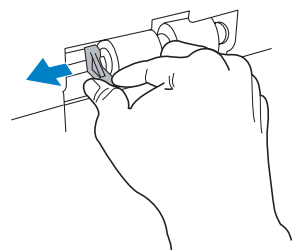
3. Remove the old feed roller:

- a) Rotate the lever on the roller shaft down to loosen the roller.

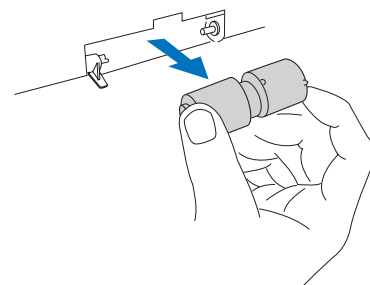


- b) Hold the lever and move the roller shaft to the left horizontally.

You will see the roller is loosen from the roller shaft on the right.

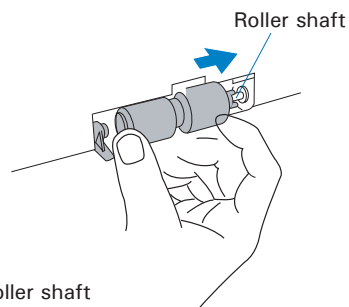


- c) Hold the both sides of the roller to pull it out carefully from its compartment.

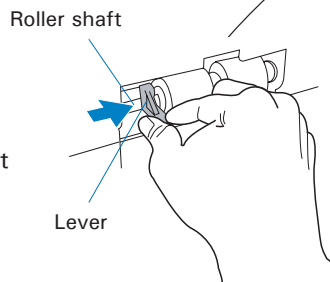


4. Insert the new feed roller into its compartment:

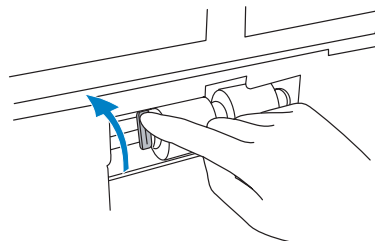
- a) Mount the roller with a white cap at the right of the roller into the roller shaft at the right side of the compartment.



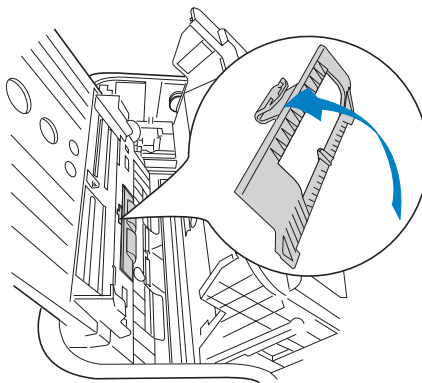
- b) Hold the lever and move the roller shaft to the right horizontally. Then, insert it into a hollow at the left side of the roller until it sticks into place.



- c) Rotate the lever on the roller shaft up to fasten the roller.



5. After done, put the roller cover back into its compartment.



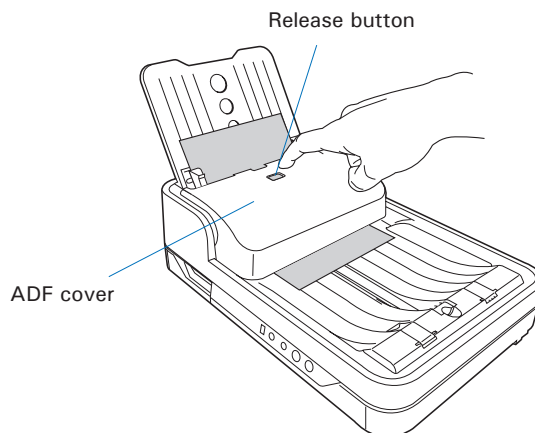
NOTE:

- The recommended replacement point for your Feed Roller Assembly is after scanning approximately 150,000 scans through the feeder.
- Please contact your local resellers for purchasing new Feed Roller Assembly.

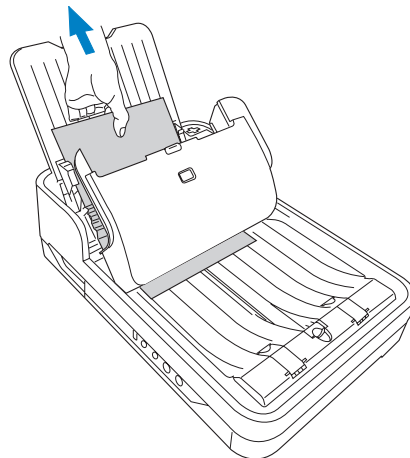
Appendix

Fixing Paper Jams

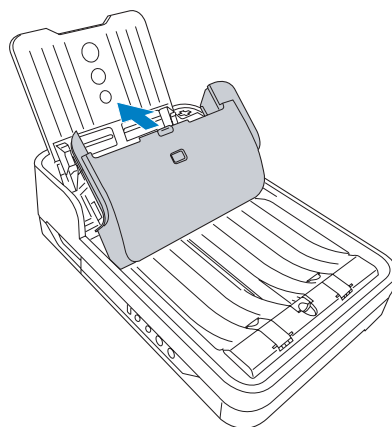
1. Push the Release button to open the ADF cover as shown in the graph.



2. Pull out the jammed paper in an upward direction from the feeder.



3. Push the ADF cover back down into place until you hear a "click".

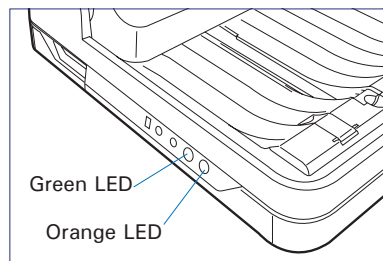


NOTE: Do not pull out the jammed piece of paper by force from the feeder when the ADF cover closes. If doing so, it may damage the rollers and cause the ADF to work improperly.

Troubleshooting

The green LED lighting (the SCAN/STOP button) indicates the status of the scanner. The orange LED lighting (the POWER button) stands for power and should always stay on steady when the scanner is on.

- All On: Ready to scan.
- Flashing Green: Scanning.
- All Off: Scanner is off.



First, make sure that you have followed Steps 1 to 5 as described in the “Initial Setup” section of this document (unpack, install, connect). Then if your problem is listed here, try the suggested solution.

- 1. No light comes on when the scanner is already supplied with power.**
 Make sure your scanner is connected to your computer and plugged into a power source.
- 2. The Add/Remove Hardware Wizard appears on your screen.**
 Click the “Cancel” button and close the ScanWizard DI or ScanPotter Control Panel. Disconnect the Hi-Speed USB cable from the back of your computer, and refer to the installation instructions in this document.
- 3. After clicking scan, a blank screen appears.**
 Uninstall and reinstall the ScanWizard DI or ScanPotter software.
- 4. The scanner cannot pick up papers into the feeder.**
 Make sure the sheets of papers loaded in the Document Feed Tray do not exceed the thickness limit.

 Check if the Separation Pad becomes worn and needs to be changed.
- 5. When trying to scan, an error message appears on your screen that reads, “Can’t Find Scanners”.**
 Make sure your scanner is connected to your computer and plugged in to a power source (see Step 4 in the “Initial Setup” section).

 Uninstall and reinstall the ScanWizard DI or ScanPotter software.

6. **When trying to scan, an error message appears on your screen that reads, "ADF is not ready or no paper".**

Make sure there are papers in the Document Feed Tray.

Make sure the top edges of papers have been inserted into the feeder.

Finally, close the ADF cover and restart scanning.

7. **When trying to scan, an error message appears on your screen that reads, "Code -206, ADF paper jam or roller failure."**

Click *OK* first; then open the ADF cover, as illustrated in the previous section "Fixing Paper Jams".

- If the problem is occurring from a paper jam, follow the procedures laid out in the "Fixing Paper Jams" section.
- If the problem is occurring from situations other than a paper jam, follow the procedures laid out in the "Position Documents" section.

Finally, close the ADF cover and restart scanning.

8. **Ink stains or strips appear on the scanned images.**

Clean the glass surface areas with a soft, non-abrasive and lint-free cloth.

Clean the rollers with a lint-free cloth or a swab moistened with alcohol or ECO cleaner.

Specifications of ArtixScan DI 5240

Type	Flatbed color scanner with built-in ADF
Scanning Modes	Color, grayscale, and black-and-white in a single scanning pass Input: 48-bit color/16-bit grayscale/1-bit B&W Output: 24-bit color/8-bit grayscale/1-bit B&W
Optical Resolution	Flatbed: 1200 dpi ADF: 600 dpi
Scanning Sensor	CCD (x 2)
Light Source	LED (Light Emitting Diode)
Scanning Speed	40 ppm/80 ipm, at 200 dpi, A4/line art 40 ppm/80 ipm, at 200 dpi, A4/grayscale 40 ppm/80 ipm, at 200 dpi, A4/color (Scanning speed may vary depending on your computer spec, operating system, and software.)
Scanning Area	Flatbed: Max: 8.5" x 11.7" (216 mm x 297 mm) Min: 0.5" x 0.5" (12.7 mm x 12.7 mm) ADF: Max: 8.5" x 65" (216 mm x 1651 mm) Min: 3.149" x 3.149" (80 mm x 80 mm)
Paper Weight (Thickness)	8 to 32 lbs (30.08 to 120.32 g/m ²)
Paper Size	Flatbed: Max: 8.5" x 11.7" (216 mm x 297 mm) Min: 0.5" x 0.5" (12.7 mm x 12.7 mm) ADF: Max: 8.5" x 65" (216 mm x 1651 mm) Min: 3.149" x 3.149" (80 mm x 80 mm)
Feeder Capacity	Up to 75 sheets of papers (18.6 lbs / 70 g/m ² ; 0.1 mm thickness)
Separation Module Assembly	100,000 scans
Feed Roller Assembly Life	150,000 scans
Duty Cycle	5,000 scans per day
Interface	Hi-Speed USB 2.0
Driver	TWAIN
Dimensions (W x H x D)	20.07" x 6.50" x 13.74" (510 mm x 165 mm x 349 mm)
Weight	14.52 lbs. (6.6 kg.)
Voltage	AC 100V-240V, 50/60 Hz, 1.5A (Input)
Power Consumption	37.5 W max.
Environment	Operating temperature: 41° to 104°F (5° to 40°C) Relative humidity: 20% to 85%

Specifications of ArtixScan DI 5250

Type	Flatbed color scanner with built-in ADF
Scanning Modes	Color, grayscale, and black-and-white in a single scanning pass Input: 48-bit color/16-bit grayscale/1-bit B&W Output: 24-bit color/8-bit grayscale/1-bit B&W
Optical Resolution	Flatbed: 1200 dpi ADF: 600 dpi
Scanning Sensor	CCD (x 2)
Light Source	LED (Light Emitting Diode)
Scanning Speed	50 ppm/100 ipm, at 200 dpi, A4/line art 50 ppm/100 ipm, at 200 dpi, A4/grayscale 50 ppm/100 ipm, at 200 dpi, A4/color (Scanning speed may vary depending on your computer spec, operating system, and software.)
Scanning Area	Flatbed: Max: 8.5" x 11.7" (216 mm x 297 mm) Min: 0.5" x 0.5" (12.7 mm x 12.7 mm) ADF: Max: 8.5" x 65" (216 mm x 1651 mm) Min: 3.149" x 3.149" (80 mm x 80 mm)
Paper Weight (Thickness)	8 to 32 lbs (30.08 to 120.32 g/m ²)
Paper Size	Flatbed: Max: 8.5" x 11.7" (216 mm x 297 mm) Min: 0.5" x 0.5" (12.7 mm x 12.7 mm) ADF: Max: 8.5" x 65" (216 mm x 1651 mm) Min: 3.149" x 3.149" (80 mm x 80 mm)
Feeder Capacity	Up to 75 sheets of papers (18.6 lbs / 70 g/m ² ; 0.1 mm thickness)
Separation Module Assembly	100,000 scans
Feed Roller Assembly Life	150,000 scans
Duty Cycle	5,000 scans per day
Interface	Hi-Speed USB 2.0
Driver	TWAIN
Dimensions (W x H x D)	20.07" x 6.50" x 13.74" (510 mm x 165 mm x 349 mm)
Weight	14.52 lbs. (6.6 kg.)
Voltage	AC 100V-240V, 50/60 Hz, 1.5A (Input)
Power Consumption	37.5 W max.
Environment	Operating temperature: 41° to 104°F (5° to 40°C) Relative humidity: 20% to 85%

Specifications of ArtixScan DI 5260

Type	Flatbed color scanner with built-in ADF
Scanning Modes	Color, grayscale, and black-and-white in a single scanning pass Input: 48-bit color/16-bit grayscale/1-bit B&W Output: 24-bit color/8-bit grayscale/1-bit B&W
Optical Resolution	Flatbed: 1200 dpi ADF: 600 dpi
Scanning Sensor	CCD (x 2)
Light Source	LED (Light Emitting Diode)
Scanning Speed	60 ppm/120 ipm, at 200 dpi, A4/line art 60 ppm/120 ipm, at 200 dpi, A4/grayscale 60 ppm/120 ipm, at 200 dpi, A4/color (Scanning speed may vary depending on your computer spec, operating system, and software.)
Scanning Area	Flatbed: Max: 8.5" x 11.7" (216 mm x 297 mm) Min: 0.5" x 0.5" (12.7 mm x 12.7 mm) ADF: Max: 8.5" x 65" (216 mm x 1651 mm) Min: 3.149" x 3.149" (80 mm x 80 mm)
Paper Weight (Thickness)	8 to 32 lbs (30.08 to 120.32 g/m ²)
Paper Size	Flatbed: Max: 8.5" x 11.7" (216 mm x 297 mm) Min: 0.5" x 0.5" (12.7 mm x 12.7 mm) ADF: Max: 8.5" x 65" (216 mm x 1651 mm) Min: 3.149" x 3.149" (80 mm x 80 mm)
Feeder Capacity	Up to 75 sheets of papers (18.6 lbs / 70 g/m ² ; 0.1 mm thickness)
Separation Module Assembly	100,000 scans
Feed Roller Assembly Life	150,000 scans
Duty Cycle	5,000 scans per day
Interface	Hi-Speed USB 2.0
Driver	TWAIN
Dimensions (W x H x D)	20.07" x 6.50" x 13.74" (510 mm x 165 mm x 349 mm)
Weight	14.52 lbs. (6.6 kg.)
Voltage	AC 100V-240V, 50/60 Hz, 1.5A (Input)
Power Consumption	37.5 W max.
Environment	Operating temperature: 41° to 104°F (5° to 40°C) Relative humidity: 20% to 85%