



## The ultimate cutting tool for the busy production environment

Designed for the busiest production facility, the Evolution3 SmartFold includes all the superior features of the Evolution3 range with the addition of an integral cutting strip for textiles and fragile materials.

The SmartFold can be folded down to clear the bench and then returned in seconds to be immediately ready for use.

Keencut's unique Lift-and-Hover (patent pending) technology enables fast single-handed, and accurate alignment of all material, irrespective of thickness. Lower the clamping bar until it hovers just above the material surface with zero sag, even on the longest 5.5m (216") length cutter, then use the sightline strip to see where the cut will be made, and finally, fully engage the clamp and cut – it's so simple.

### THE ULTIMATE CUTTING TOOL FOR THE BUSY PRODUCTION ENVIRONMENT



### Materials cut

#### Semi-rigid materials

Corrugated cardboard ≤ 13mm (1/2")

PVC foamboard ≤ 13mm (1/2")

Corrugated plastic ≤ 13mm (1/2")

Foam centred board ≤ 13mm (1/2")

#### Rigid materials

Cast acrylic / Plexiglas ≤ 3mm (3/32") scoring only

Aluminium composite panel, e.g. DiBond ≤ 3mm (3/32") Rocker tool head only, for occasional use

#### Flexible materials

Banners

Pop-ups

Magnetic sheets

Film

Self-adhesive vinyls

Textiles

Delicate materials: tissue paper, wallpaper



[www.keencut.com](http://www.keencut.com)

+44 (0) 1536 263158

[sales@keencut.co.uk](mailto:sales@keencut.co.uk)

The world's finest cutting machines

Scan for further information

<https://www.keencut.com/product/evolution3-smartfold/>





## Single-handed, fast accurate alignment

Two unique features enable single-handed, fast and accurate alignment of all materials irrespective of thickness. The Lift-and-Hover system enables the clamping bar to be easily raised and then lowered so it hovers just above the material surface. The anti-sag mechanism means the cutter bar can be suspended exactly parallel to the media surface over the whole length of the cut with zero sag, even on the longest sized cutter.

## Guaranteed accuracy

The Evolution3 is the most accurate cutter of its type on the market and is guaranteed to cut within 0.2mm (0.008") of a straight line for the full length of the cut. The in-built ultra-high precision accuracy, combined with the perfect alignment made possible using the sightline strip, means every butt-jointed panel will join seamlessly. This ultra-high precision accuracy will save you time and money with less waste and fewer mistakes.



## Total stability

The self-adjusting track roller system fitted to the QuikSwap tool heads provides a strong and smooth movement up and down the length of the cutter bar, with zero sideways movement to ensure a perfect straight line. This, coupled with rigid blade clamping, gives perfect blade control and spot-on accuracy, so less wastage and mistakes.

## Simple to use

The combination of the Lift-and-Hover and the sightline strip really does make cutting easier and faster than ever before. Even first-time users will be able to cut accurately with confidence.



## Heavy duty reliability

The entire Evolution3 range has been built to last, using high quality materials and well tested engineering principles. The cutting head bearing system and clamping are tough enough to keep perfect blade control, even with the most difficult of materials. Keencut makes the majority of components on its precision CNC machines, keeping tolerances and quality under constant control, assuring exceptional accuracy and total reliability.



## QuikSwap Double Graphik tool head

The Evolution3 Double Graphik tool head comes as standard and has two individual blade holders for two-way cutting. The blades are stronger and more stable than regular blades making the Double Graphik tool ideal for vinyl, banner, cardboard, PVC foamboard up to 13mm (1/2"), foam-centred board, corrugated plastic, paper, pop-up and roll-up materials.

[Discover Evolution3 Graphik tool head >](#)



## Optional Evolution3 tool heads

Evolution3 QuikSwap tool heads give users the ultimate flexibility. Each tool is designed for a specific purpose and can be attached or detached from the cutter in seconds

**Evolution3 Fabric tool head** is ideal for cutting fabric, paper, film, vinyl, banners and delicate materials. With the Evolution3 SmartFold integral polymer cutting strip there is no need for a separate cutting mat. [Discover Evolution3 Fabric tool head >](#)

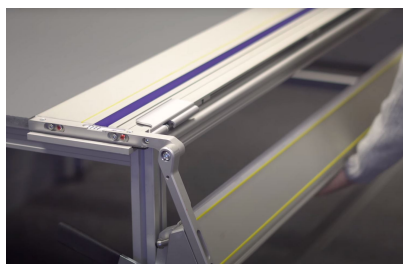
**Evolution3 Rocker tool head** is a general-purpose tool for cutting materials such as banners, cardboard and foamboard up to 10mm (3/8"). A Tech-D.012 blade can be used for the occasional cutting of aluminium composite panels, such as Dibond or Alupanel. [Discover Evolution3 Rocker tool head >](#)

**Evolution3 Creaser tool head** will crease in both directions and is ideal for stout paper, card, cardboard, and grey board. [Discover Evolution3 Creaser tool head >](#)



## Cutting strip included

The SmartFold includes an integral polymer cutting strip for use with the Evolution3 Fabric tool head to cut textiles and fragile materials. A simple push button at each end of the bar allows the cutter to be set on any of four cut lines, extending the life of the strip. There is no need for a separate cutting mat.



## Clear bench

Within a few seconds, you can fold the SmartFold down to clear your bench for other work and then simply flip it back up ready for action.



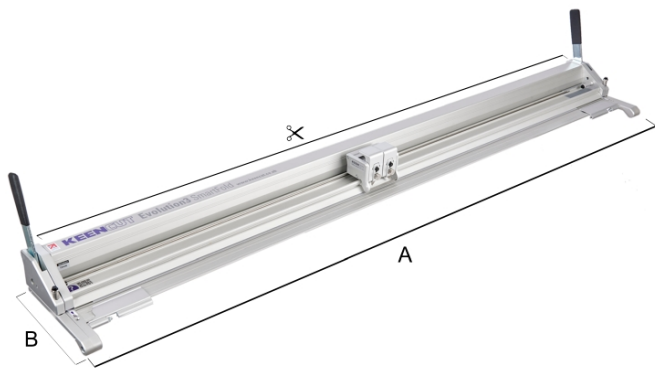
## Five year guarantee

Like all Keencut machines, the Evolution3 is built to give many years of excellent service. All components are manufactured in-house to ensure quality and all Evolution3 cutters come with a five year comprehensive guarantee. [Register your product to activate your guarantee >](#)



## In the box

100 Graphik blades  
Double Graphik tool head (mounted)



|                          | E3SF110                | E3SF160                | E3SF210                 | E3SF260                 | E3SF310                  |
|--------------------------|------------------------|------------------------|-------------------------|-------------------------|--------------------------|
| Cut Length cm (")        | 110 (43)               | 160 (63)               | 210 (84)                | 260 (102)               | 310 (124)                |
| A cm (")                 | 148 (58)               | 198 (78)               | 248 (97.5)              | 298 (117)               | 348 (137)                |
| B cm (")                 | 27 (10.5)              | 27 (10.5)              | 27 (10.5)               | 27 (10.5)               | 27 (10.5)                |
| Packed Weight KG (lbs)   | 30 (66)                | 37.5 (83)              | 46.5 (102.5)            | 53.5 (118)              | 63 (139)                 |
| Packed Dimensions cm (") | 160x35x17<br>(63x14x7) | 210x35x17<br>(83x14x7) | 260x35x17<br>(102x14x7) | 310x35x17<br>(122x14x7) | 360x35x17<br>(142x14x17) |

|                          | E3SF360                 | E3SF410                  | E3SF460                  | E3SF510                  |
|--------------------------|-------------------------|--------------------------|--------------------------|--------------------------|
| Cut Length cm (")        | 360 (142)               | 410 (161)                | 460 (181)                | 510 (201)                |
| A cm (")                 | 398 (157)               | 448 (176)                | 498 (196)                | 548 (216)                |
| B cm (")                 | 27 (10.5)               | 27 (10.5)                | 27 (10.5)                | 27 (10.5)                |
| Packed Weight KG (lbs)   | 71.5 (158)              | 82 (181)                 | 90 (198)                 | 99 (218)                 |
| Packed Dimensions cm (") | 410x35x17<br>(161x14x7) | 462x38x32<br>(182x15x13) | 513x38x32<br>(202x15x13) | 564x38x32<br>(222x15x13) |

