



Fast precision cutting for every type and thickness of mountboard

The Ultimat Futura is the easiest to use precision mountboard cutter on the market.

With unequalled blade control and micro-stop calibration, you are assured of complete accuracy. You will create a perfect mount bevel and exact corners without over or undercutting, every time. The smooth sliding action requires minimum effort, even when you are cutting through 8 ply mount board.

With the Ultimat Futura you can easily switch between different types of board and thicknesses, in seconds.



Materials cut

Mountboard
Conservation board
Foam centred board



Consistent faultless mounts

The Ultimat Futura performs perfectly on even the thickest conservation mountboard. The blade cartridge system provides accurate blade depth control and a measuring stop ensures flawless v-grooves. Everything is squared and calibrated ready for you to use straight out of the box.



No more overcuts or undercuts

The micro stop adjusters fitted to the start of cut, end of cut and margin guide stops, allow you to dial out overcuts or undercuts in seconds. It's so simple, any overcut is eliminated by turning the stop thumbscrew towards minus (-) and any undercut is eliminated by turning the thumbscrew towards plus (+). A rigid self-aligning margin guide ensures consistent accurate parallel borders.



Unequaled blade control and effortless cutting

The Ultimat Futura cutting head has built-in self-adjusting ball bearing rollers operating on twin stainless-steel tracks, to deliver a sliding action that is smooth, precise and with no discernible friction. The blade holders are mounted on large thrust and radial bearings for precision blade control with zero side-play. The heavy-duty, one-piece aluminium extruded base gives absolute stability. Maximum operator effort is transmitted to the blade, to allow easy cutting of even the thickest boards.

Hands free

The unique roller lift and hold system frees your hands so that you can precisely position the mountboard.



Perfect ergonomics

Shaped blade holders perfectly fit the hand to prevent finger strain when cutting even the toughest board. The head is comfortable to use for right or left-handed users and the cutter allows both hands to pull the blade holder when cutting.



Bevel & vertical blade holders

The switchable, magnetic blade holders make changing the blades for different depths of cut a simple and fast process. The vertical blade may be locked in the up position for safety, down for cutting regular board and left off for multi-stroke cutting of tough board.



Quick fitting interchangeable guides

The margin guide, squaring arm and optional board support are instantly removable for space-saving, or safety, when the machine is not in use. The instant clip-on/clip-off right squaring arm with repetition stop, is provided to accurately size all mountboards from 90cm (36") down to 4cm (1.5"). Optional board supports are available to clip onto the base to hold large boards flat and square. The rigid T-bar margin guide is extendable up to 75cm (30"). The margin guide extension kit gives an accurate all-round location for the title box and multiple aperture cutting.

Five year guarantee

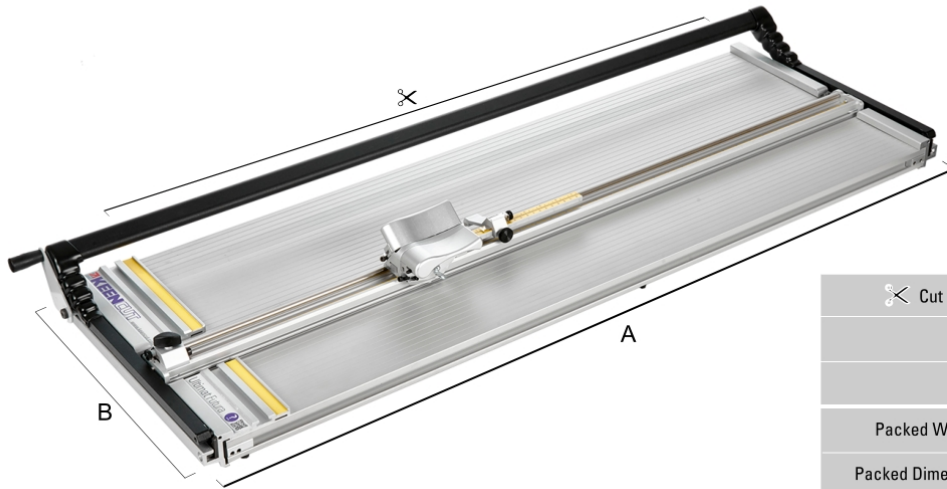
By manufacturing in-house, with only the highest quality materials, Keencut can guarantee that the Ultimat Futura will provide reliable long-lasting and accurate service. All Keencut products are offered with a comprehensive five year guarantee. [Register your product to activate your guarantee >](#)




In the box

- 15 Tech-S .015 blades
- 15 Tech-S .012 blades
- 30 Tech-D .012 blades
- 20 Keencut 080 superior quality blades





	UF100	UF120	UF150
 Cut Length cm (")	100 (40)	120 (48)	150 (62)
A cm (")	124 (49)	144 (57)	174 (68.5)
B cm (")	39 (15.5)	39 (15.5)	39 (15.5)
Packed Weight KG (lbs)	18 (40)	20 (44)	23 (51)
Packed Dimensions cm (")	127x44x15 (50x17x6)	149x44x15 (59x17x6)	184x44x15 (72x17x6)

